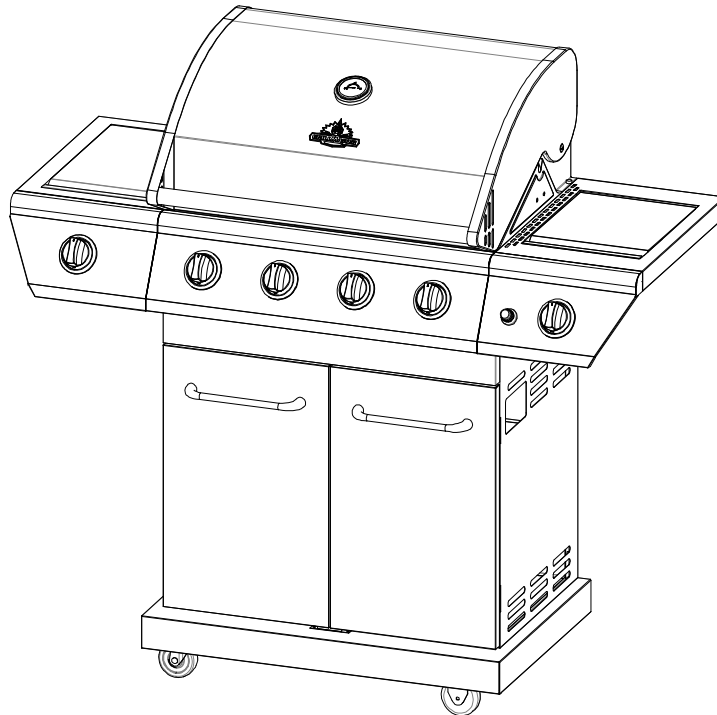




LP GAS GRILL (pages 1-25)
PARRILLA A GAS LP (página 26-50)
GRIL AU GAZ DE PÉTROLE LIQUÉFIÉ (page 51-75)

MODEL / MODELO / MODÈLE # 720-0783



! WARNING
To reduce the risk of fire, burn hazard or other injury, read the manual carefully and completely before using your grill.

! WARNING
This grill is not intended to be installed in or on recreational vehicles and/or boats.

! WARNING
FOR OUTDOOR USE ONLY.

Version No. 19000373A2

Note to Consumer/Nota para el usuario/Note destinée à l'utilisateur

Leave this Owner's Manual in a convenient place for future reference.
Deje este Manual del Usuario en un lugar conveniente para referencia en el futuro.
Rangez ce manuel de l'utilisateur dans un endroit pratique pour une consultation future.



Example only: SERIAL # _____ MFG. DATE _____ PURCHASE DATE: _____



Questions, problems, missing parts? Before returning to your retailer, call our customer service department at 1-800-648-5864, 8 a.m. - 5 p.m., EST, Monday – Friday.
Visit our website at: www.grillmasterbbqs.com

Table of Contents

Warranty-----	2
Precautions-----	2-4
Package Contents List-----	5-6
Hardware Contents-----	7
Preparation-----	7
Parts Diagram -----	8
Parts List-----	9
Assembly Instructions-----	10-19
Lighting Instructions-----	20-21
Cleaning and Maintenance-----	22
Troubleshooting-----	23
Cooking Instructions-----	24
Grill Cooking Chart-----	25

Grill Warranty

One-Year Limited Warranty on stainless steel and other parts.

If this grill fails due to a defecting material or workmanship within one year from the date of purchase, call 1-800-648-5864 to arrange for free repair (or replacement if repair proves impossible).

For five years from the date of purchase, any stainless steel burner that rusts through will be replaced free of charge. After the first year from the date of purchase, you pay for labor if you wish to have it installed.

All warranty coverage excludes igniter batteries and grill part paint loss, discoloration or rusting, which are either expendable parts that can wear out from normal use within the warranty period, or are conditions that can be the result of normal use, accident or improper maintenance.

All warranty coverage is void if this grill is ever used for commercial or rental purposes.

All warranty coverage applies only if this grill is used in Canada.

GrillMaster® logo is a registered trademark of Sunbeam Products, Inc. used under license.

Precautions

WARNING

Failure to comply with these instructions could result in a fire or explosion that could cause serious bodily injury, death, or property damage.

WARNING

Your grill will get very hot. Never lean over the cooking area while using your grill. Do not touch cooking surfaces, grill housing, lid or any other grill parts while the grill is in operation, or until the gas grill has cooled down after use.

Failure to comply with these instructions may result in serious bodily injury.

WARNING

- 1. Do not store or use gasoline or other flammable liquids or vapors in the vicinity of this or any other appliance.**
- 2. An LP cylinder not connected for use shall not be stored in the vicinity of this or any other appliance.**

DANGER

If you smell gas:

- 1. Shut off gas to the appliance.**
- 2. Extinguish any open flame.**
- 3. Open lid.**
- 4. If odor continues, keep away from the appliance and immediately call your gas supplier or your fire department.**

Grill Installation Codes

The installation must conform with local codes or, in the absence of local codes, with either the national fuel gas code, ANSI Z 223.1/NFPA S4, Natural gas and propane installation code, CSA B149.1, or propane storage and handling code, B149.2, or the standard for Recreational vehicles, ANSI A 119.2, and CSA Z240 RV series recreational vehicle code, as applicable. LP gas grill models are designed for use with a standard 20 lb. Liquid Propane Gas tank, not included with grill. Never connect your gas grill to an LP gas tank that exceeds this capacity.

Precautions

A tank of approximately 12 inches in diameter by 18-1/2 inches high is the maximum size LP gas tank to use.

You must use an OPD gas tank which offers an Overfill Prevention Device.

This safety feature prevents the tank from being overfilled which can cause malfunction of the LP gas tank, pressure regulator and/or grill.

The LP gas tank must be constructed and marked in accordance with specifications of the U.S. Dept. of Transportation (DOT). In Canada, the LP gas tank must meet the National Standard of Canada ,CAN/CSA-B339 , Cylinders, spheres and Tubes for Transportation of Dangerous Goods and Commission .

1. The LP gas tank must have a shutoff valve, terminating in an LP gas supply tank valve outlet, that is compatible with a Type 1 tank connection device. The LP gas tank must also have a safety relief device that has a direct connection with the vapor space of the tank.
2. The tank supply system must be arranged for vapor withdraw.
3. The LP gas tank used must have a collar to protect the tank valve.

Proper Placement and Clearance of Grill

Never use your gas grill in a garage, porch, shed, breezeway or any other enclosed area. Your gas grill is to be used **outdoors only**, at least 24 inches from the back and side of any combustible surface. Your gas grill should not be used under overhead combustible construction . Do not obstruct the flow of ventilation air around the gas grill housing.

- Do not install this outdoor gas grill in or on recreational vehicles or boats.
- Keep outdoor gas grill area clear and free from combustible materials, gasoline and other flammable vapors and liquids.
- Do not obstruct the flow of combustion and ventilation air. Check for this each time prior to using grill.
- **Never** connect an unregulated LP gas tank to your gas grill. The gas pressure regulator assembly supplied with your gas grill is adjusted to have an outlet pressure of 11" water column (W.C.) for connection to an LP gas tank.
- Only use the pressure regulator and the hose assembly supplied with your gas grill. Replacement pressure regulators and hose assemblies must be those specified in this manual.

- Have your LP gas tank filled by a reputable propane gas dealer and visually inspected and re-qualified at each filling.
- Do not store a spare LP gas tank under or near this appliance.
- Never fill the tank beyond 80 percent full. If this information is not followed exactly a fire causing death or serious injury may occur.
- Always keep LP gas tanks in an upright position.
- Do not store or use gasoline or other flammable vapors and liquids in the vicinity of this gas grill.
- Do not subject the LP gas tank to excessive heat.
- Never store an LP gas tank indoors. If you store your gas grill in the garage or other indoor location, **always** disconnect the LP gas tank first and store it safely outside.



Always keep the LP cylinder at 90° (upright) orientation to provide vapor withdraw.

- Place dust cap on cylinder valve outlet whenever the cylinder is not in use. Only install the type of dust cap on the cylinder valve outlet that is provided with the cylinder valve. Other types of caps or plugs may result in leakage of propane.
- LP gas tanks must be stored outdoors in a well-ventilated area and out of reach of children. Disconnected LP gas tanks must not be stored in a building, garage or any other enclosed area.
- When your gas grill is not in use the gas must be turned off at the LP gas tank.
- The pressure regulator and hose assembly must be inspected before each use of the grill. If there is excessive abrasion or wear or if the hose is cut, it must be replaced prior to the grill being used again.
- Keep the gas pressure regulator hose away from hot grill surfaces and dripping grease. Avoid unnecessary twisting of hose. Visually inspect the hose prior to each use for cuts, cracks, excessive wear or other damage. If the hose appears damaged do not use the gas grill. Call 1-800-648-5864 for a replacement hose.
- **Never** light your gas grill with the lid closed or before checking to ensure the burner tubes are fully seated over the gas valve orifices.
- **Never** allow children to operate your grill.

WARNING

A strong gas smell, or the hissing sound of gas indicates a serious problem with your gas grill or the LP gas tank. Failure to immediately follow the steps listed below could result in a fire or explosion that could cause serious bodily injury, death, or property damage.

- Shut off gas supply to the gas grill.
- Turn the control knobs to OFF position.
- Put out any flame with a proper fire extinguisher.
- Open grill lid.
- Get away from the LP gas tank.
- Do not try to fix the problem yourself.
- If odor continues or you have a fire you can not extinguish, call your fire department. Do not call near the LP gas tank because your telephone is a form of electrical device and could create a spark resulting in fire and/or explosion.

NOTE: The normal flow of gas through the pressure regulator and hose assembly can create a humming noise. A low volume of noise is perfectly normal and will not interfere with operation of the grill. If humming noise is loud and excessive you may need to purge air from the gas line or reset the pressure regulator excess gas flow device. This purging procedure should be done every time a new LP gas tank is connected to your grill. For help with this procedure refer to page 20, item 4 of "If Grill Still Fails To Light", or call the Grill Information Center at 1-800-648-5864.

CAUTION: Beware of Flash-Back

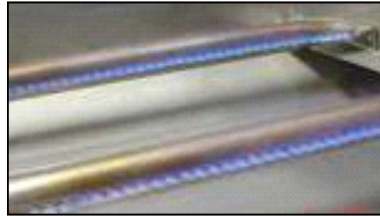
CAUTION: Spiders and small insects occasionally spin webs or make nests in the grill burner tubes during transit and warehousing. These webs can lead to gas flow obstruction which could result in a fire in and around burner tubes. This type of fire is known as "FLASH-BACK" and can cause serious damage to your grill and create an unsafe operating condition for the user.

Although an obstructed burner tube is not the only cause of "FLASH-BACK", it is the most common cause.

To reduce the chance of "FLASH-BACK", you must clean the burner tubes before assembling your grill, and at least once a month in late summer or early fall when spiders are most active. Also perform this burner tube cleaning procedure if your grill has not been used for an extended period of time.

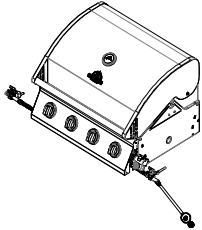
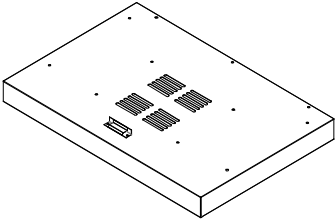
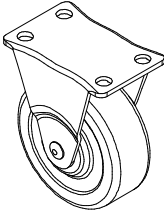
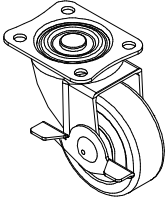
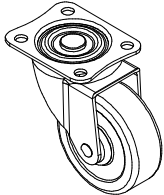
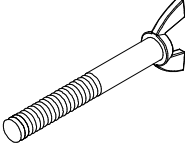
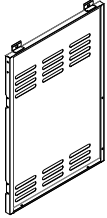
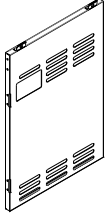
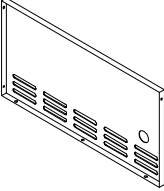
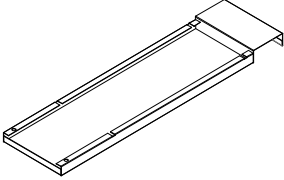
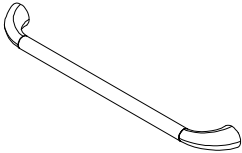
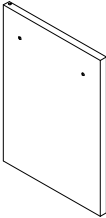
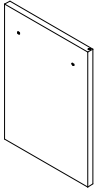
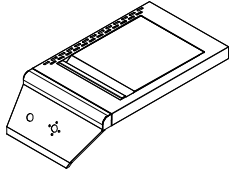
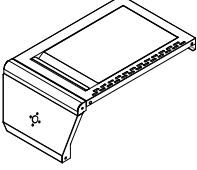
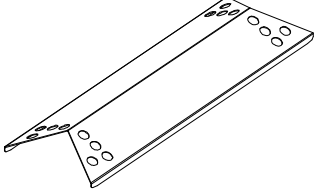
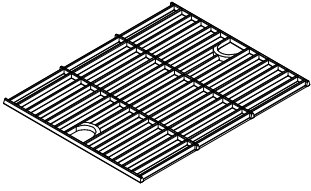
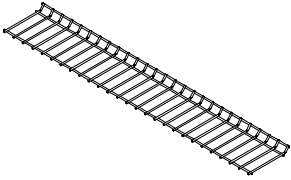
See Cleaning Burner Tubes and Burner Ports on page 22.

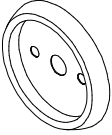
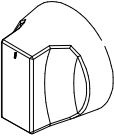

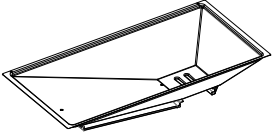
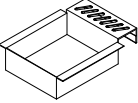

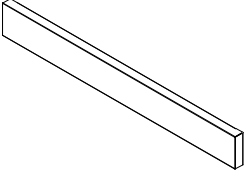
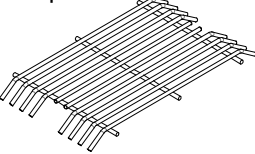
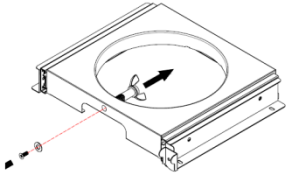
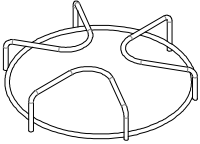
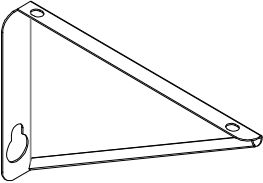
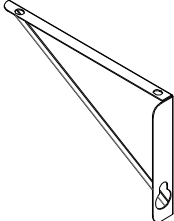
Burner Flame Check



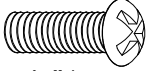
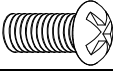
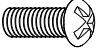



Visually check the burner flames prior to each use. The flames should look like picture, if they do not, refer to the Cleaning Burner Tubes and Burner Ports, see page 22 of this manual.

Package Contents List

<p>A. Firebox --- 1pc.</p> 	<p>B. Bottom Panel --- 1pc.</p> 	<p>C. Caster --- 2pcs.</p> 
<p>D. Swivel Caster with Brake --- 1pc.</p> 	<p>E. Swivel Caster --- 1pc.</p> 	<p>F. Tank Tray Bolt --- 1pc.</p> 
<p>G. Side Panel, Left --- 1pc.</p> 	<p>H. Side Panel, Right --- 1pc.</p> 	<p>I. Back Panel --- 1pc.</p> 
<p>J. Sear Side Burner Grease Tray --- 1pc.</p> 	<p>K. Door Handle --- 2pcs.</p> 	<p>L. Door, Left --- 1pc.</p> 
<p>M. Door Right --- 1pc.</p> 	<p>N. Regular Side Burner Bowl Assembly Frame with Side Burner Control Panel --- 1pc.</p> 	<p>O. Left Sear Side Burner with Side Shelf Front Panel --- 1pc.</p> 
<p>P. Heat Diffuser --- 4pcs.</p> 	<p>R. Cooking Grid --- 2pcs.</p> 	<p>S. Warming Rack --- 1pc.</p> 

<p>T. Bezel --- 2pcs.</p> 	<p>U. Control Knob --- 2pcs.</p> 	<p>V. AA Size Alkaline ---1pc.</p> 
<p>W. Grease Tray --- 1pc.</p> 	<p>X. Grease Cup --- 1pc.</p> 	<p>Y. Manual Lighting Stick --- 1pc.</p> 
<p>Z. Cart Frame --- 1pc.</p> 	<p>A1. Sear Side Burner Cooking Grid --- 1pc.</p> 	<p>B1. Gas Tank Tray --- 1pc.</p> 
<p>C1. Regular Burner Cooking --- 1pc.</p> 	<p>D1. Triangle Bracket, Right --- 1pc.</p> 	<p>E1. Triangle Bracket, Left --- 1pc.</p> 

Hardware Contents

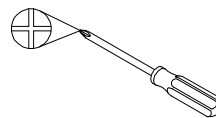
Item	Description	Specification	Quantity
AA	Truss Head Screw 	1/4" x 15mm	24pcs.
BB	Truss Head Screw 	1/4" x 10mm	4pcs.
CC	Truss Head Screw 	5/32" x 8mm	27pcs.
DD	Flat Head Screw 	5/32" x 8mm	8pcs.
EE	Lock Washer 	1/4"	20pcs.
FF	Lock Washer 	5/32"	11pcs.

Preparation

Before beginning assembly, make sure all parts are present. Compare parts with package contents list and diagram above. If any part is missing or damaged, do not attempt to assemble the product. Contact customer service at 1-800-648-5864 for replacement parts.

- Tools required for assembly:

Phillips Screwdriver (not included) and Hex Wrench (not included).



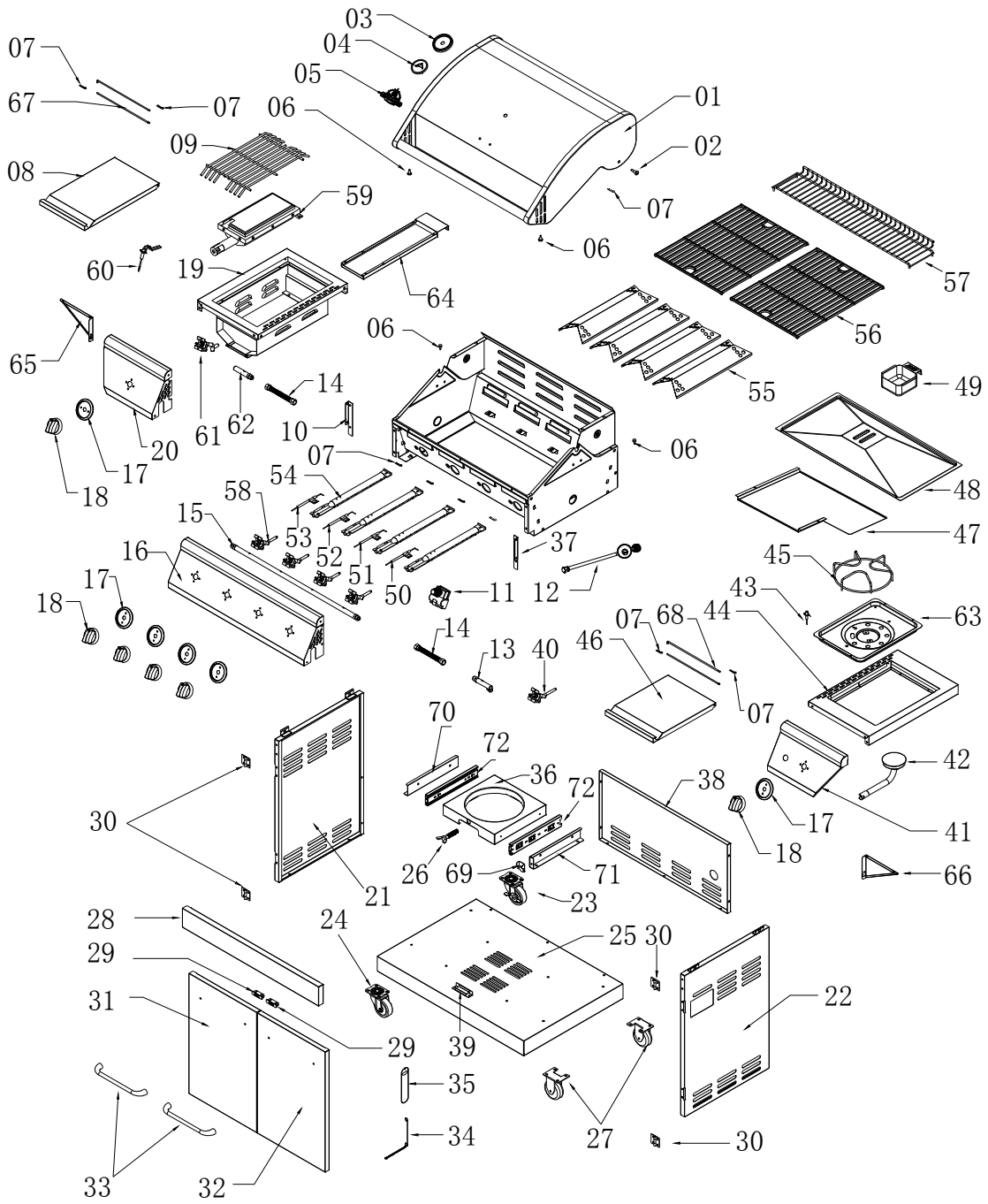
Phillips Screwdriver



Hex Wrench

- Note: The left and right sides of the grill are on your left and right as you face the front of the grill.

Parts Diagram



Parts List

KEY#	PARTS	DESCRIPTION	QUANTITY	KEY#	PARTS	DESCRIPTION	QUANTITY
1	0783-001	Main Lid	1	39	0783-039	L shape bracket	1
2	0783-002	Main Lid Screw	2	40	0783-040	Side Burner Gas Valve	1
3	0783-003	Temperature Gauge Housing	1	41	0783-041	Side Shelf Control Panel, Right	1
4	0783-004	Temperature Gauge	1	42	0783-042	Side Burner Pipe Assembly	1
5	0783-005	Logo	1	43	0783-043	Side Burner Igniter Wire	1
6	0783-006	Hood Buffer	4	44	0783-044	Side Burner Shelf	1
7	0783-007	R Shape Pin	10	45	0783-045	Side Burner Cooking Grate	1
8	0783-008	Sear Burner Lid	1	46	0783-046	Side Burner Lid	1
9	0783-009	Sear Burner Cooking Grate	1	47	0783-047	Gas Tank Heat Shield	1
10	0783-010	Control Panel Support Bracket, Left	1	48	0783-048	Grease Tray	1
11	0783-011	Pulse Igniter Module	1	49	0783-049	Grease Box	1
12	0783-012	Regulator, LP	1	50	0783-050	Main Burner Igniter Wire A	1
13	0783-013	Side Burner Manifold	1	51	0783-051	Main Burner Igniter Wire B	1
14	0783-014	Side Burner Flex Gas Line	2	52	0783-052	Main Burner Igniter Wire C	1
15	0783-015	Main Manifold	1	53	0783-053	Main Burner Igniter Wire D	1
16	0783-016	Main Control Panel	1	54	0783-054	Main Burner	4
17	0783-017	Bezel	6	55	0783-055	Flame Tamer	4
18	0783-018	Control Knob	6	56	0783-056	Cooking Grid with Hole	2
19	0783-019	Sear Burner Bowl Assembly	1	57	0783-057	Warming Rack	1
20	0783-020	Side Shelf Control Panel, Left	1	58	0783-058	Main Burner Gas Valve	4
21	0783-021	Side Panel, Left	1	59	0783-059	Sear Burner	1
22	0783-022	Side Panel, Right	1	60	0783-060	Sear Burner Igniter Wire	1
23	0783-023	Swivel Caster with Brake	1	61	0783-061	Sear Burner Gas Valve	1
24	0783-024	Swivel Caster	1	62	0783-062	Sear Burner Manifold	1
25	0783-025	Bottom Panel, LP	1	63	0783-063	Side Burner Bowl Assembly	1
26	0783-026	Tank Tray Bolt	1	64	0783-064	Sear Burner Grease Tray	1
27	0783-027	Caster	2	65	0783-065	Side Shelf Bracket, Left	1
28	0783-028	Cart Frame, Front	1	66	0783-066	Side Shelf Bracket, Right	1
29	0783-029	Door Magnet	2	67	0783-067	Side Burner Lid Hinge Rod, Left	2
30	0783-030	Door Hinge	4	68	0783-068	Side Burner Lid Hinge Rod, Right	2
31	0783-031	Front Door, Left	1	69	0783-069	Tank Tray Slide Block Plate	1
32	0783-032	Front Door, Right	1	70	0783-070	Tank Tray Bracket A	1
33	0783-033	Door Handle	2	71	0783-071	Tank Tray Bracket B	1
34	0783-034	Lighting Rod	1	72	0783-072	Slide	2
35	0783-035	Lighting Rod Cover	1				
36	0783-036	Tank Tray	1				
37	0783-037	Control Panel Support Bracket, Right	1				
38	0783-038	Back Panel	1				

Important: Use only parts listed above. When ordering parts, providing the following information:

If you are missing hardware or have damaged parts after unpacking grill, call 1-800-648-5864 for replacements.

To order replacement parts after using grill, call: 1-800-648-5864.

- Model #
- Serial # (found inside the front panel of your grill)
- Part Number (see PART# in chart)
- Part Description
- Quantity of parts needed

Assembly Instructions

CAUTION: While it is possible for one person to assemble this grill, obtain assistance from another person when handling some of the larger, heavier pieces.

Note: Be sure to slide grease tray out of back of grill head and remove all packaging from tray.

1. Use the parts list to check that all parts have been included.
2. Inspect the grill for damage as you assemble it. Do not assemble or operate the grill if it appears damaged. If there are damaged or missing parts when you unpack the shipping box, or you have questions during the assembly process, please call 1-800-648-5864.

**For Assembly Questions, call 1-800-648-5864
8AM – 5 PM EST, Monday through Friday.**

1. Assembling Grill Cart

- a) Attach four casters to bottom panel (B) using (16) Truss head screws (AA), (16) Lock washers (EE), Note: (D) is swivel caster with brake, (E) is swivel caster, (C) are straight casters. See Fig.1.

Hint: For ease of cast assembly, turn bottom panel upside down.

- b) Loosen screw and washer which is attached to tank bolt from outside of gas tank tray seat (B1). Remove bolt from inside and insert the bolt from outside, of tank tray. Re-attach screw and washer from inside the tank tray. See Fig.2.

- c) Attach assembled gas tank tray to bottom panel (B) using (4) Truss head screws (CC). See Fig.3.

Fig.1

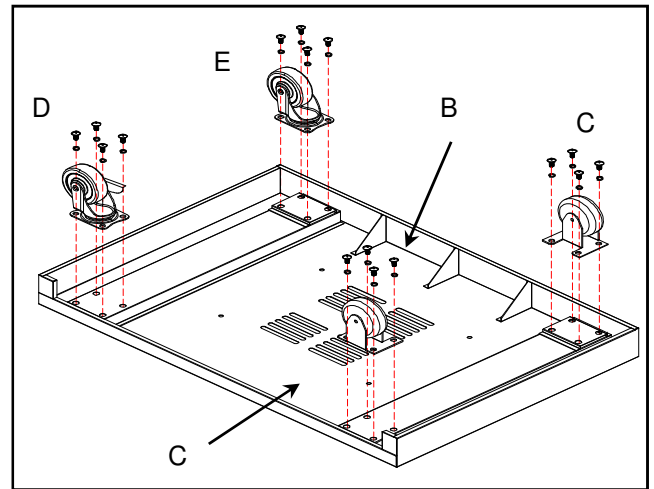


Fig.2

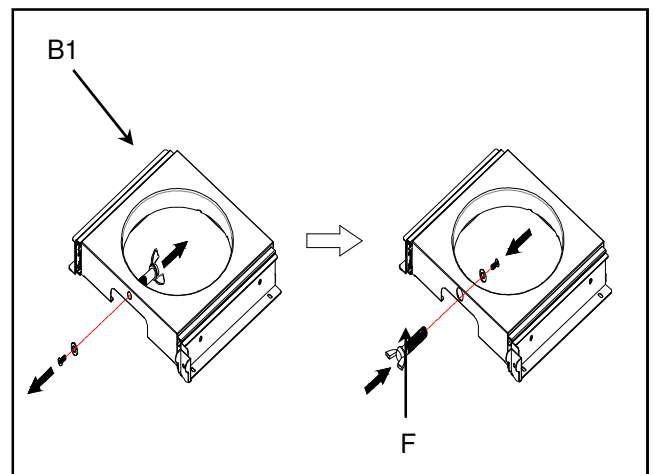
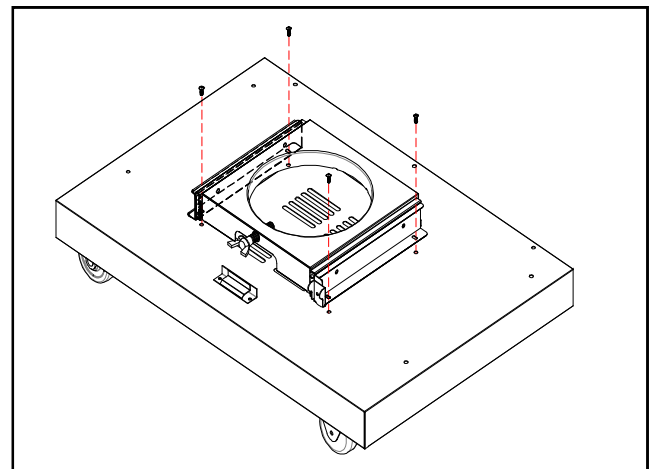
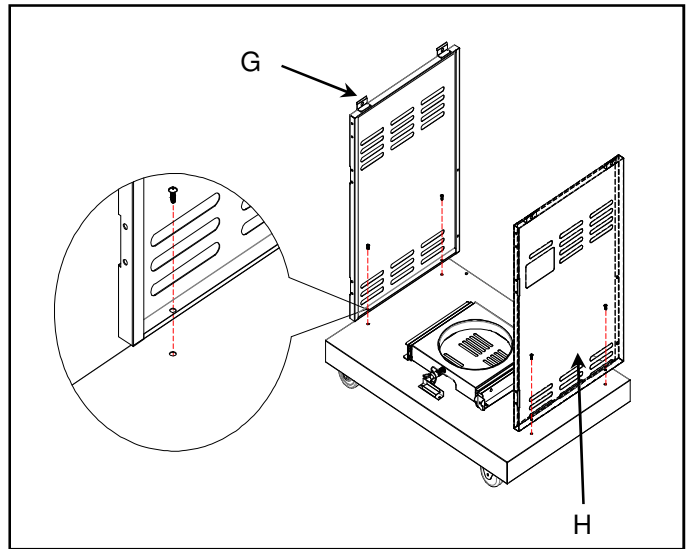


Fig.3



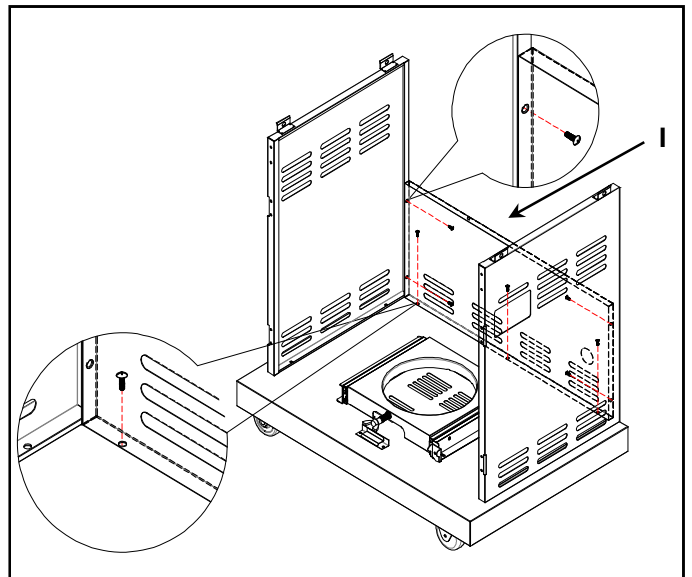
- (d) Attach left & right side panels (G & H) to bottom panel (B) using (4) Truss head screws (CC) with (4) Lock washers (FF). See Fig.4.

Fig.4



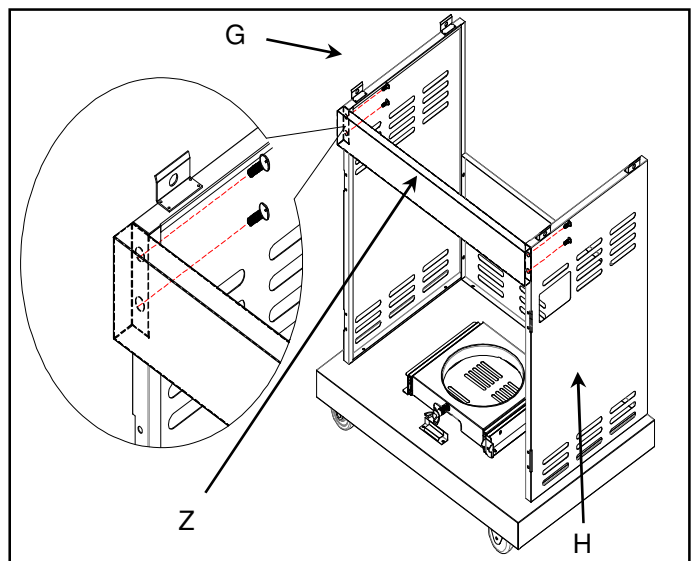
- (e) Attach back panel (I) to bottom panel (B) using (7) Truss head screws (CC) with (7) Lock washers (FF). See Fig.5.

Fig.5



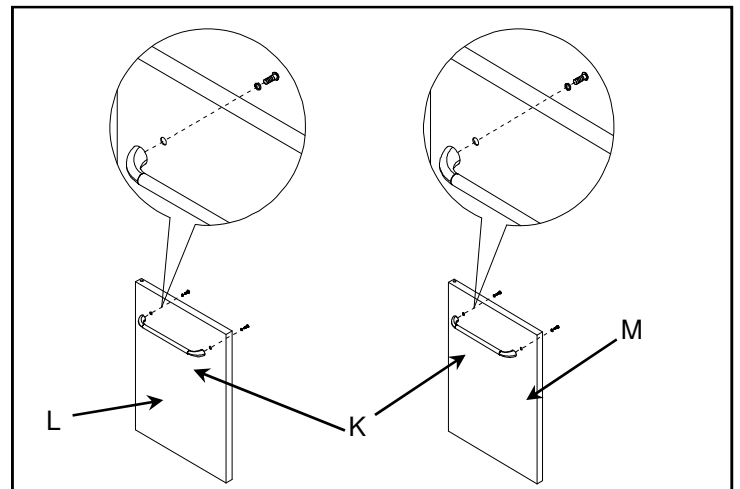
- (f) Attach cart frame bar (Z) to both side panels (G & H) using (4) Truss head screws (BB) with (4) Lock washers (EE) from inside. See Fig.6.

Fig.6



- (g) Attach door handle (K) to left door (L) using (2) Truss head screws (CC). Repeat to assemble the other door handle to right door (M). See Fig.7.
- (h) Attach two doors (L & M) to side panels (G & H) using (8) flat head screws (DD). See Fig.8.

Fig.7



2. Firebox Assembly

- (a) Be sure grill cart doors are closed to stabilize cart. Remove Firebox (A) from carton. Place onto cart as shown. See Fig.9.

CAUTION: Firebox is heavy. To avoid injury, obtain the help of an assistant for this step. Also, make sure doors remain closed when placing Firebox onto cart. DO NOT open doors until Firebox is securely mounted to cart.

- (b) Attach firebox (A) to left and right side panels (G & H) using (4) Truss head screws (AA). See Fig.10.

Fig.8

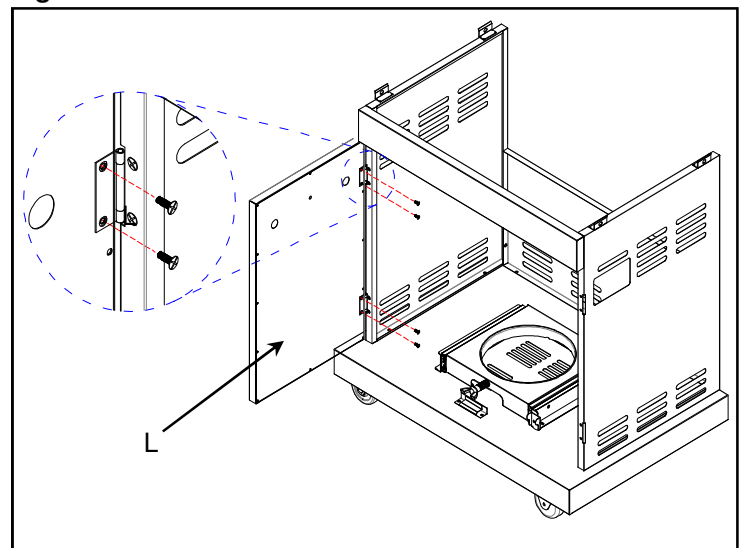


Fig.10

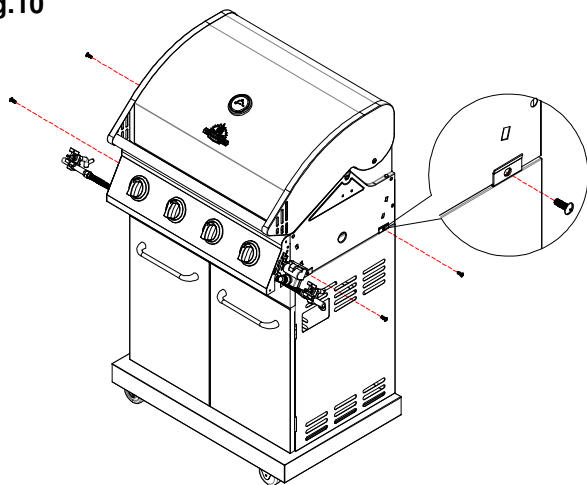
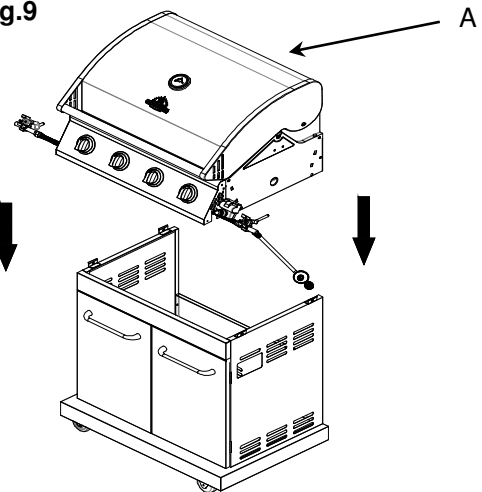


Fig.9



3. Side Burner Assembly

- (a) Attach Triangle Bracket, right (D1) to side burner (N) using (2) Truss head screws (CC). See Fig.11.
- (b) Loosen (2) preinstalled head screws from right side of Firebox (A) as shown. Do not screw out fully; leave $\frac{1}{4}$ extended for shelf assembly. See Fig.12.
- (c) Through side burner shelf keyholes, hang side burner shelf (N) on two loosened screws. See Fig. 13A.
- (d) Using (2) Truss head screws (AA), attach side burner shelf (N & D1) to Firebox from inside the firebox. Insert (1) Truss head screws (CC) to attach the side burner shelf front panel to the control panel. See Fig.13B. Fully tighten the two loosened screws to secure shelf to firebox.

Fig.11

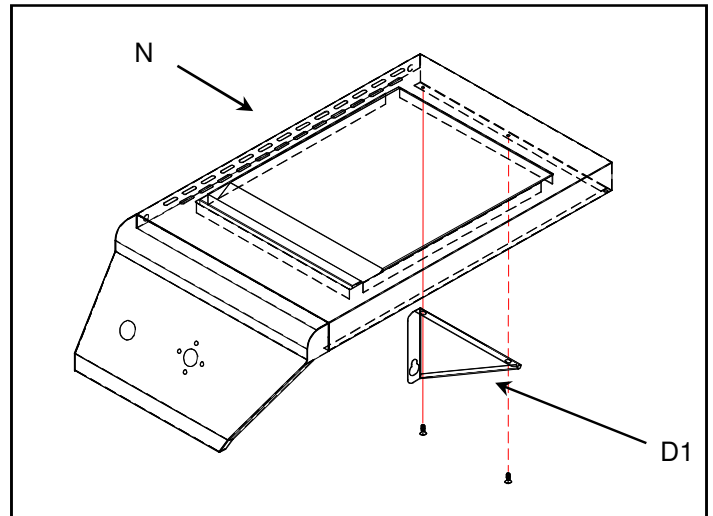
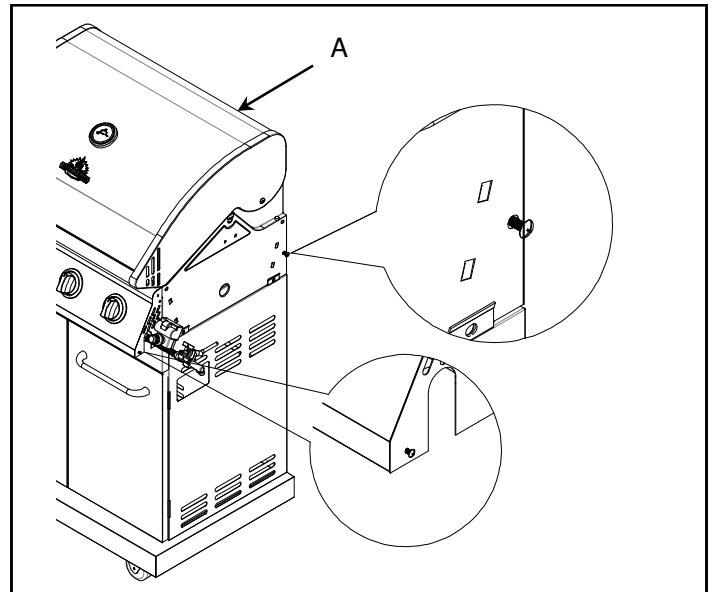


Fig.12



SIDE BURNER LID OPERATION

Featuring two-step lift and release side burner lids to avoid lid closing unexpectedly.

Instruction: Lift lid straight up before closing. See below illustration:

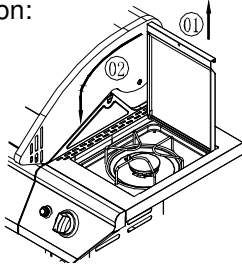


Fig.13B

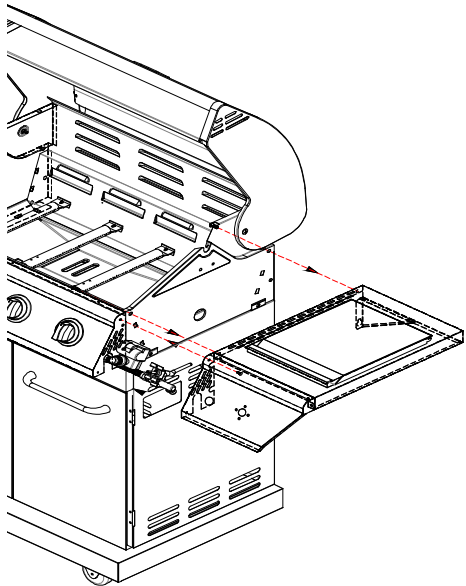
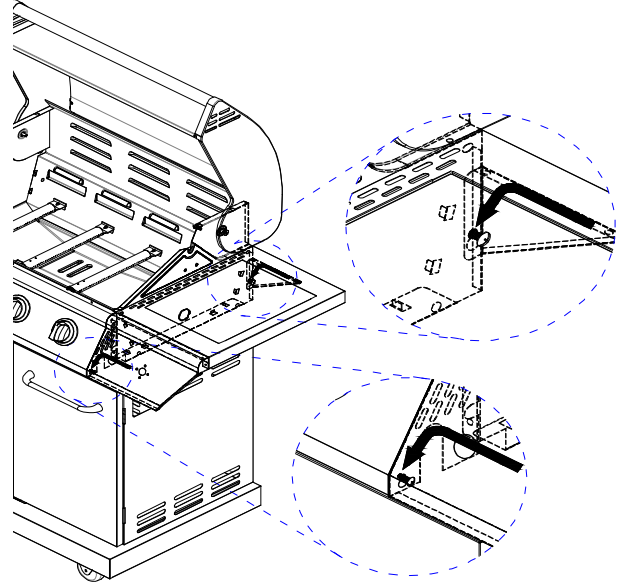


Fig.13A



4. Side Burner Valve Assembly

- (a) Remove two screws from side burner control valve face. Insert side burner valve control stem through hole in side burner control panel. Place bezel (T) over side burner valve control stem. Secure bezel to control panel and valve with 2 screws removed above. See Fig.14.
- (b) Insert side burner tube over side burner valve orifice. See Fig.15A1. Use two Truss head screws (CC) attaching side burner (N) to shelf to make room to install side burner valve. See Fig.15A2.
- (c) Push control knob (U) onto valve control stem, and tighten using hex wrench. See Fig.16.
- (d) Plug ignition wire into igniter wire hanging from electrode on underside of burner. See Fig.17.

Fig.14

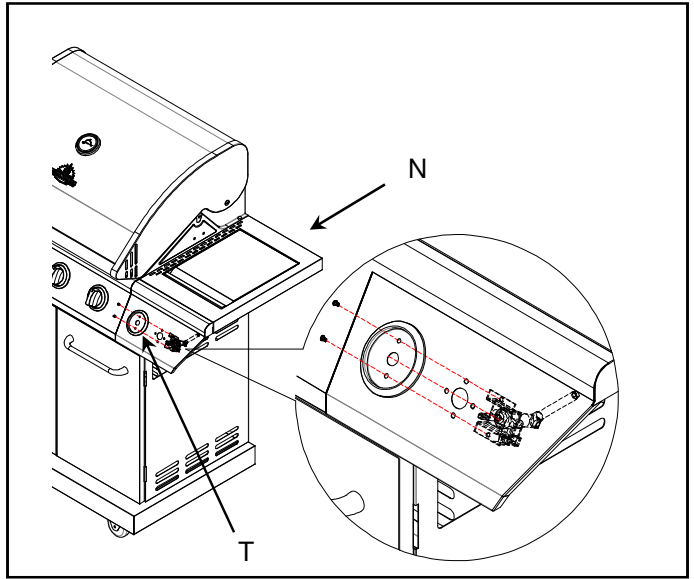


Fig.15

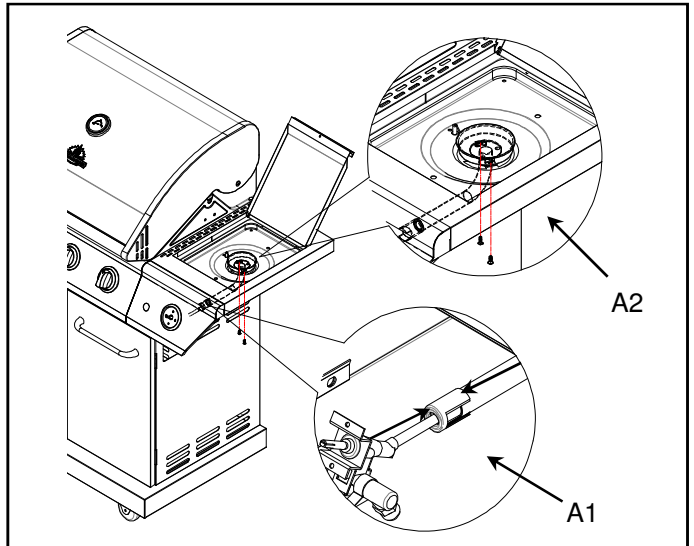


Fig.17

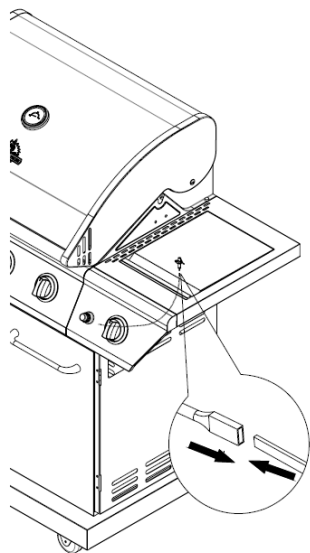
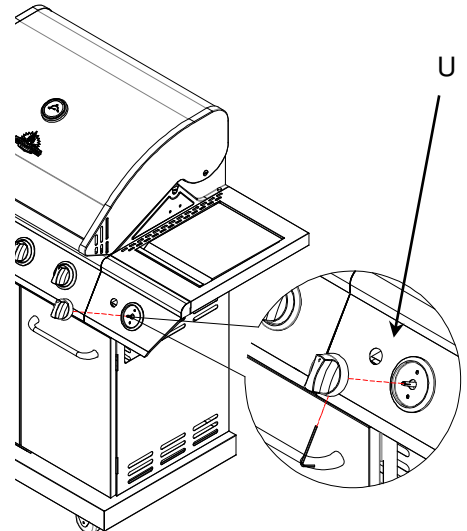


Fig.16



5. Sear Side Burner Assembly

- (a) Attach Triangle Bracket, left (E1) to side burner (O) using (2) Truss head screws (CC). See Fig.18.
- (b) Loosen (2) preinstalled head screws from left side of Firebox (A) as shown. Do not screw out fully; leave $\frac{1}{4}$ extended for shelf assembly. See Fig.19.
- (c) Through side burner shelf keyholes, hang side burner shelf (O) on two loosened screws. See Fig.20.
- (d) Using (2) Truss head screws (AA) attach side burner shelf (O & E1) to grill head from inside the firebox. Insert (1) Truss head screws (CC) attach the side burner shelf front panel to the control panel, see Fig.21. Fully tighten the two loosened screws to secure shelf to firebox.

Fig.18

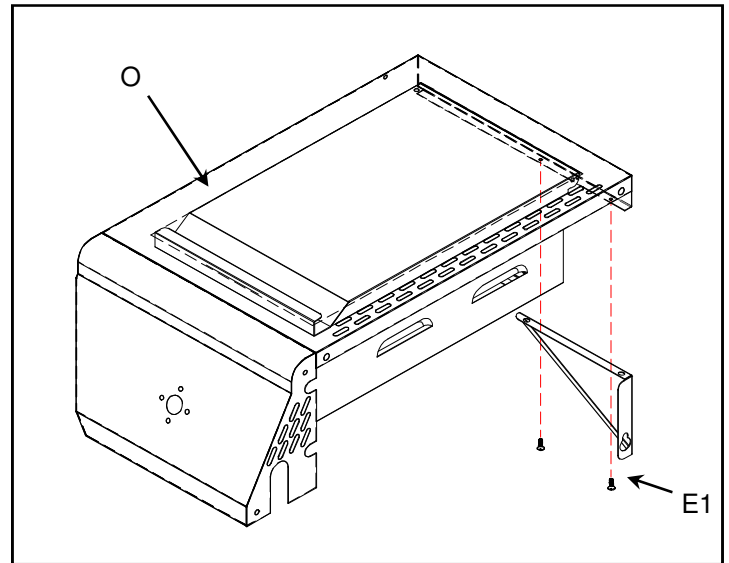


Fig.19

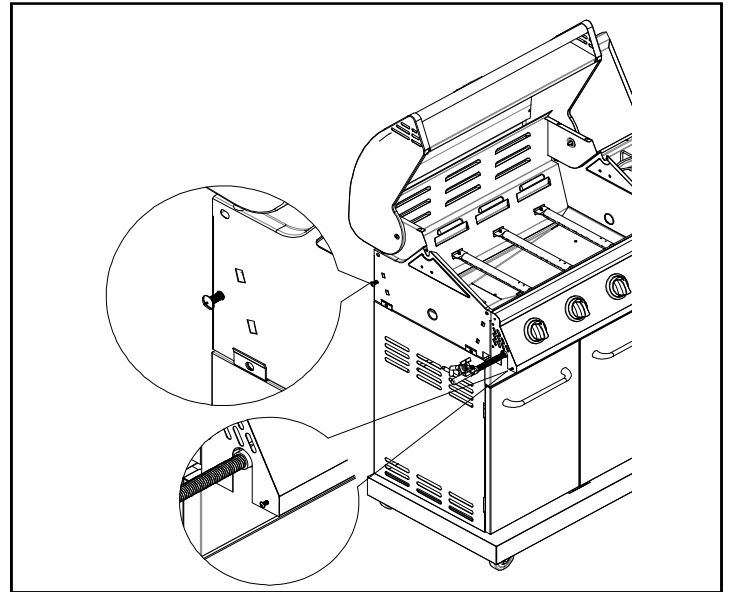


Fig.21

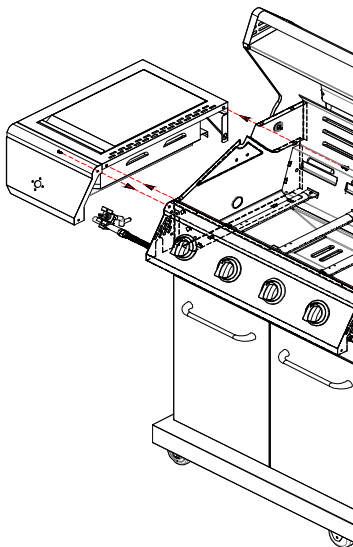
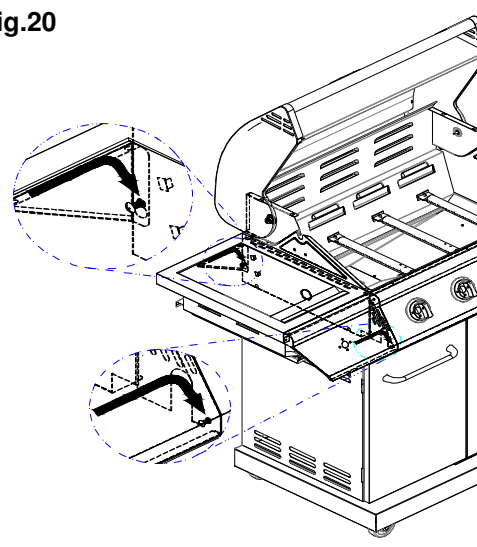


Fig.20



6. Sear Side Burner Valve Assembly

- (a) Remove the side burner igniter. See Fig.22. Remove two screws at the back of side burner bowl, see Fig.23, then pull out of side burner. See Fig.24.
- (b) Remove two screws from side burner control valve face. Insert side burner valve control stem through hole in side burner control panel. Place side burner control knob bezel (T) over side burner valve control stem. Secure bezel to control panel and valve with 2 screws removed above. See Fig.25.
- (c) Insert side burner over side burner valve orifice. See Fig.26. Use the two previously removed side burner screws to reattach side burner to side burner shelf.
- (d) Replace igniter and tighten two screws at the back of burner.

SIDE BURNER LID OPERATION

Featuring two-step lift and release side burner lids to avoid lid closing unexpectedly.

Instruction: Lift lid straight up before closing. See below illustration:

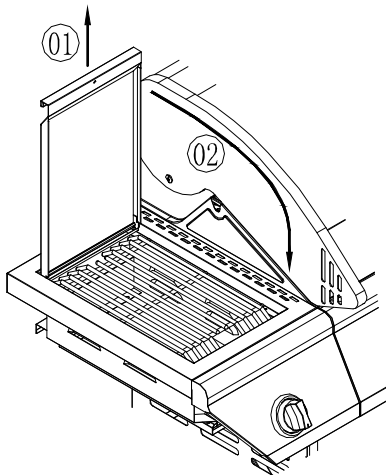


Fig.22

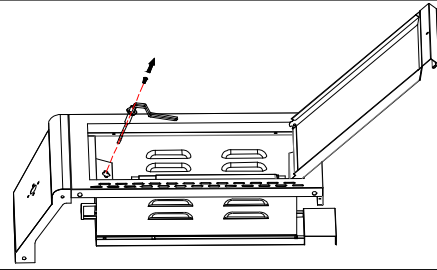


Fig.23

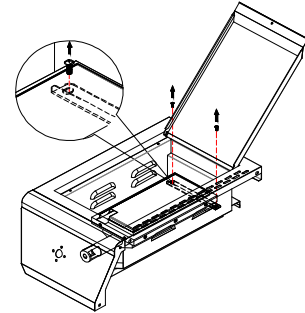


Fig.24

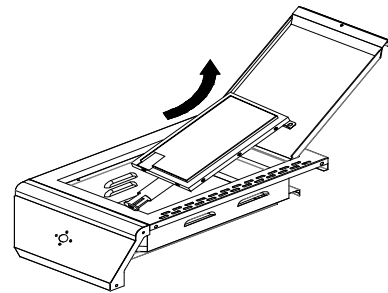


Fig.25

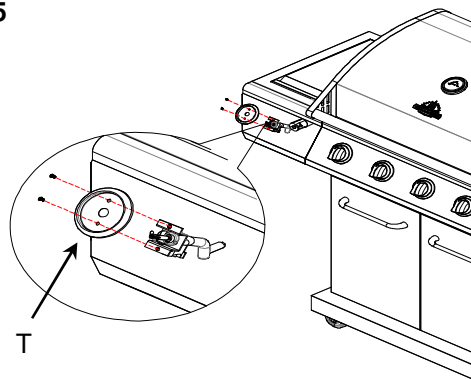
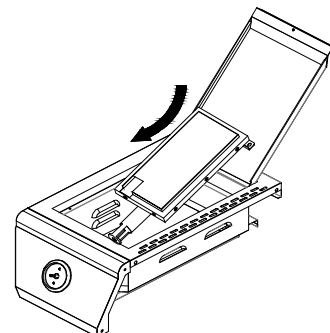


Fig.26



- (e) Push control knob (U) onto valve control stem, and tighten use hex wrench. See Fig.27.
- (f) Plug ignition wire into igniter wire hanging from electrode on underside of burner. See Fig.28.

7. Igniter and Battery Assembly

- (a) Remove igniter cover and lock washer from igniter. Insert igniter through from back of side burner control panel, secure lock washer from front of side burner control panel. See Fig.29.
- (b) Install battery (V) into ignition box with positive terminal facing outward.
- (c) Replace the ignition battery cap after the battery has been installed. See Fig.29.

Note: Make sure the igniter is assembled with the wires upward in order that the wires are away from manifold enough.

See illustration below:

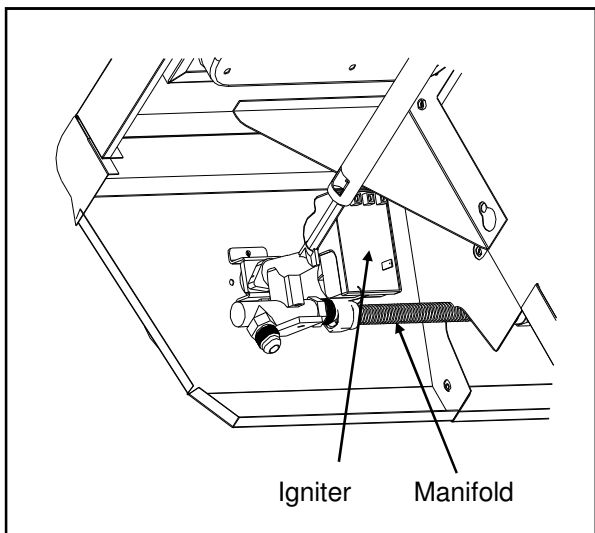


Fig.27

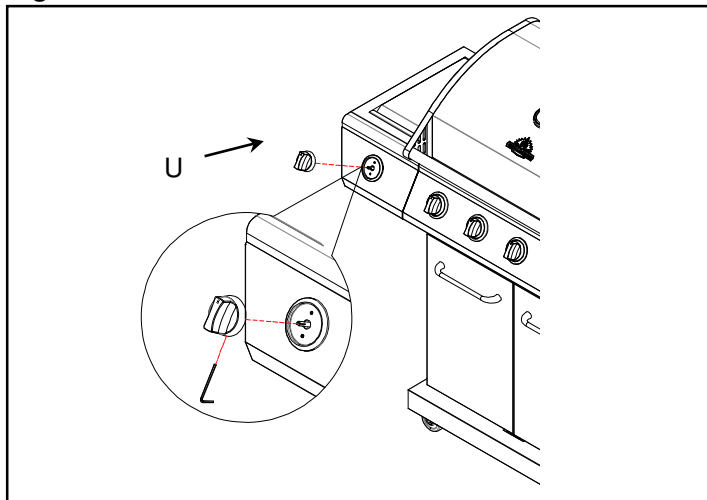


Fig.28

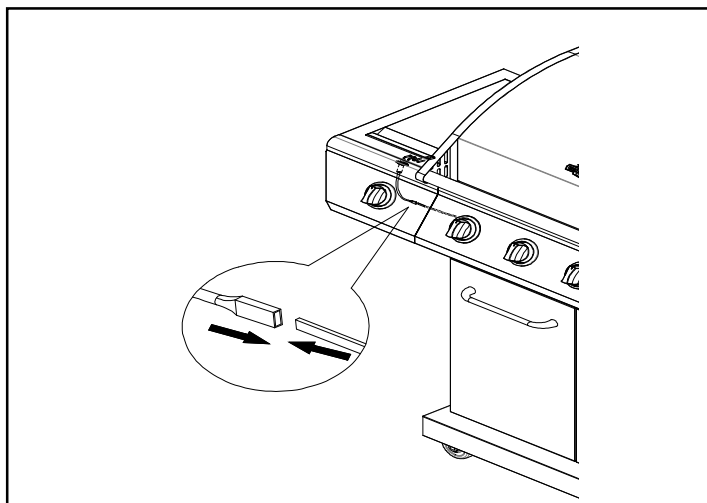
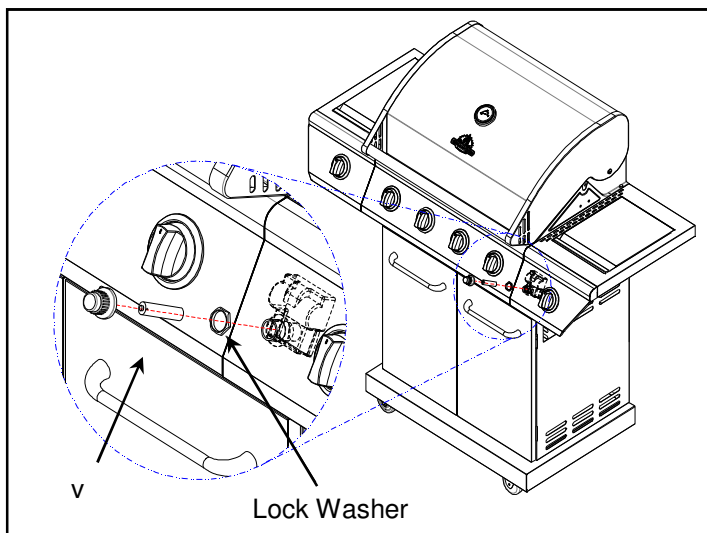


Fig.29



8. Side Burner Grates Assembly

Replace both grates to each side burner. See Fig.30.

9. Grease Cup Assembly

From the back, pull out grease trays (W & J), remove any packaging materials from it, then insert grease cup (X) into grease tray (W) as shown in Fig.31. Push grease trays back into grill.

10. Installing Cooking Components

- (a) Place heat diffusers (P) over burners as shown. Diffuser ends insert into channels on front and back of firebox. See Fig.32.
- (b) Evenly space cooking grids (R) on the ledge above heat diffusers. See Fig.32.

To obtain sear marks in cooked meat, be sure to insert grids so that side with four corner feet faces down.

- (c) Insert legs of warming rack (S) into the holes in the top of firebox side panels. See Fig.32.

Fig.30

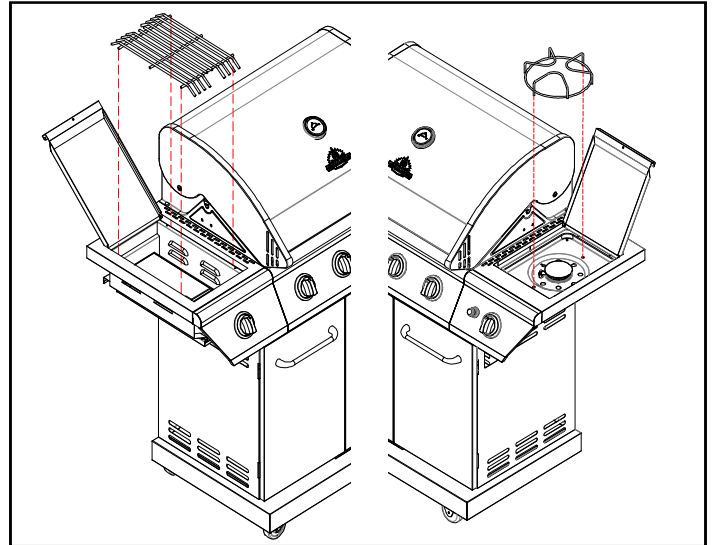


Fig.31

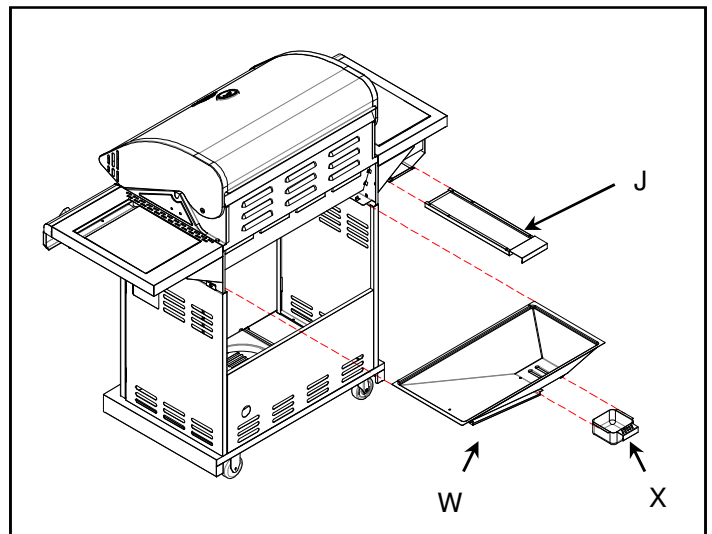
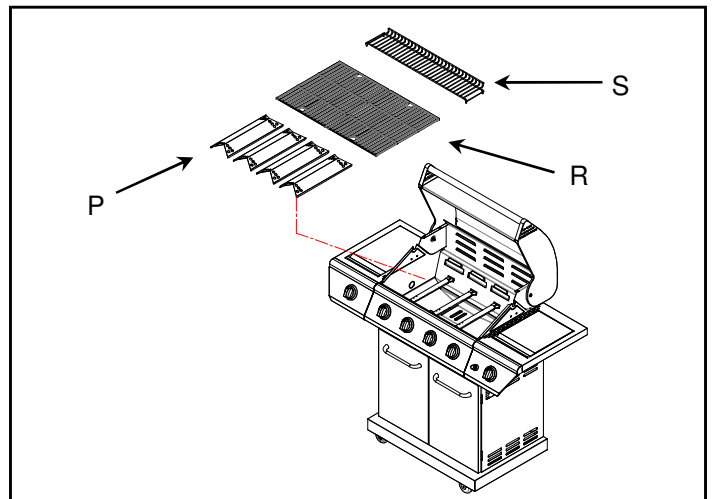


Fig.32



11. Connecting LP Gas Tank to LP Grill

- From front of the cart, turn the locker to the right and pull out of tank tray seat, place foot ring of 20 lb tank into the hole in bottom panel. Make sure the tank valve is in OFF position. Use the tank bolt to secure the tank in a fixed position, turn locker to left. See Fig.33.
- Check the tank valve to ensure it has proper external mating threads to fit the hose and pressure regulator assembly provided.
- Make sure all burner valves are in OFF position.
- Inspect the valve connection port and pressure regulator assembly. Look for damage or debris. Remove any debris. Inspect hose for damage. Never use damaged or plugged equipment.
- When connecting pressure regulator and hose assembly to tank valve, hand tighten quick coupling nut clockwise to a full stop. See Fig.34. Do not use a wrench to tighten because it could damage the quick coupling nut and result in a hazardous condition.
- Slowly open tank valve fully (counterclockwise). Use a soapy water solution to check all connections for leaks before attempting to light your grill (see page 20 for gas leak check instructions). If a leak is found, turn tank valve off and do not use your grill until the leak is repaired.

CAUTION: When the appliance is not in use, gas must be turned off at the supply tank.

DISCONNECTING THE LIQUID PROPANE CYLINDER

Turn the grill burner valves "OFF" and make sure the grill is cool.

Turn the Liquid Propane Cylinder valve "OFF" by turning clockwise until it stops.

Detach the pressure regulator assembly from the cylinder valve by turning the quick coupling nut counterclockwise.

Place dust cap on cylinder valve outlet whenever the cylinder is not in use. Only install the type of dust cap on the cylinder valve outlet that is provided with the cylinder valve. Other types of caps or plugs may result in leakage of propane.

Fig.33

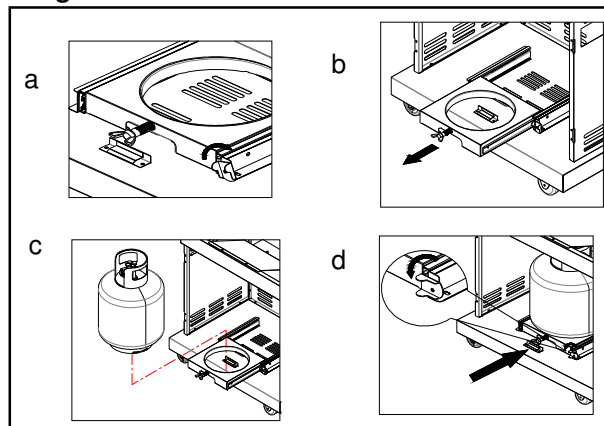
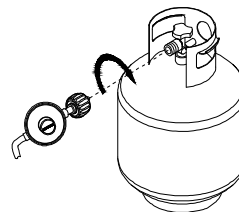


Fig.34

Pressure Regulator Connection



Congratulations

Your GrillMaster® gas grill is now ready for use. Before the first use and at the beginning of each season (and whenever the LP gas tank has been changed):

- Read all safety, lighting and operating instructions.
- Check gas valve orifices, burner tubes and burner ports for any obstructions.
- Perform gas leak check according to instructions found on page 20 of the manual.

Important

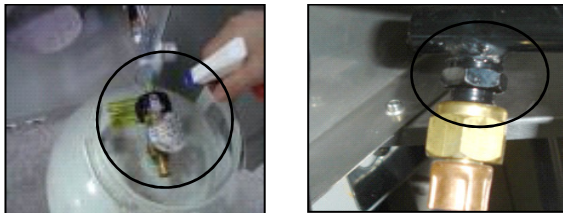
Before cooking on your grill the first time, wash cooking grids and cooking rack with warm, soapy water. Rinse and dry thoroughly. Season with cooking oil regularly. After cooking is completed, turn grill to HIGH setting for 3 to 5 minutes to burn off excess grease or food residue.

Checking for LP gas leaks

Never test for leaks with a flame. Prior to first use, at the beginning of each season, or every time your LP gas tank is changed, you must check for gas leaks.

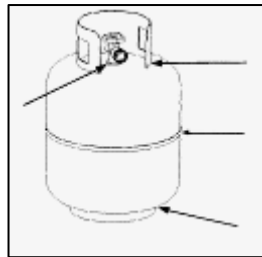
- Make a 50/50 (soap/water) mild soap solution.
- Turn the control knobs to full OFF position; then turn gas ON at supply tank.
- Apply the soap solution with a clean brush to all gas connections. See below. If growing bubbles appear in the solution the connections are not properly sealed. Check each fitting and tighten or repair as necessary.

Gas Connection Leak Check



- If you have a gas connection leak you cannot repair, turn gas OFF at supply tank, disconnect fuel line from your grill and call 1-800-648-5864 or your gas supplier for repair assistance.
- Also apply soapy solution to the tank seams. See below. If growing bubbles appear, shut tank OFF and do not use or move it! Contact an LP gas supplier or your fire department for assistance.

Gas Tank Leak Check



Lighting Instructions

Grill Lighting Instructions for Main Burners

1. Do not smoke while lighting grill or checking gas supply connections.
2. Be sure that LP gas tank is sufficiently full.



WARNING

Failure to open grill lid during the lighting procedure could result in a fire or explosion that could cause serious bodily injury, death, or property damage.

3. Be sure all gas connections are securely tightened.
4. Turn on gas supply.
5. Open the grill main lid.
6. Push and turn any main burner control knob to HIGH position. Push Electronic Ignition button for 3 to 5 seconds to light burner.



7. If the burner does not light after 5 seconds, turn knob to OFF. Turn gas OFF at LP tank and wait 5 minutes for gas to clear. Then turn gas ON at tank and repeat step 5
8. If burner still does not light, see Match Lighting section and If Grill Still Fails to Light section on the following page.
9. To light additional burners, turn burner knob(s) to HIGH. Push and hold electronic ignition button to light burner. Adjust knob(s) to desired setting.

USING THE SIDE BURNERS:

Inspect the gas supply hose prior to turning the gas "ON". If there is evidence of cuts, wear or abrasion, it must be replaced prior to use. Do not use the side burner if the odor of gas is present.

WARNING: Always keep your face and body as far away from the burner as possible when lighting.

LIGHTING INSTRUCTIONS FOR SIDE BURNERS

- Open side burner lid fully.
- Push and turn side burner knob to HIGH position. Push and hold Electronic Ignition button for 3-5 seconds to light burner.
- If the side burner does not light after 5 seconds, turn knob to OFF. Turn gas OFF at LP tank and wait 5 minutes for gas to clear. Then turn gas ON at tank and repeat step 2.
- If burner still does not light, see Manually Lighting Your Grill by Match section and If Grill Still Fails to Light Section on the following page.



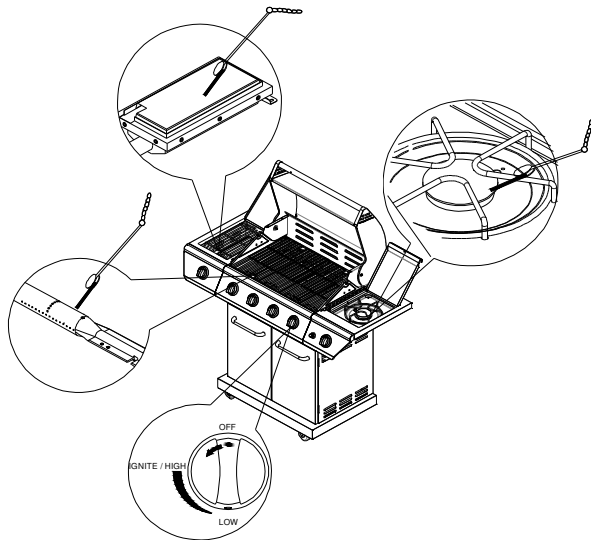


WARNING

Never lean over the grill cooking area while lighting your gas grill. Keep your face and body a safe distance (at least 18 inches) from the cooking grid surface when lighting your grill by match.

Manually Lighting Your Grill by Match

1. Insert a match into the manual lighting stick.
2. Follow steps 1 through 9 of the Lighting instructions on page 20.
3. Light the match and extend the lighting stick to cooking grid surface.
4. Turn the desired control knob to the HIGH position setting to release gas. The burner should light immediately.



WARNING

Should a “FLASH-BACK” fire occur in/ or around the burner tubes, follow the instructions below. Failure to comply with these instructions could result in a fire or explosion that could cause serious bodily injury, death, or property damage.

- Shut off gas supply to the gas grill.
- Turn the control knobs to OFF position.
- Put out any flame with a proper fire extinguisher.
- Open grill lid.
- Once the grill has cooled down, clean the burner tubes and burners according to the cleaning instructions found on page 22.

If Grill Still Fails To Light

1. Check gas supply and connections for leaks. Check that all wire connections are secure.
2. Repeat basic lighting procedure. If your grill still fails to operate, turn the gas off at source, turn the control knobs to OFF, then check the following:
 - Misalignment of burner tubes over orifices
Correction: Reposition burner tubes over orifices.
 - Plugged orifice
Correction: Remove burners from grill, carefully lift each burner up and away from gas valve orifice. Remove the orifice from gas valve and gently clear any obstruction with a fine wire. Then reinstall all orifices, burners, and cooking components.
3. If an obstruction is suspected in grill burner valves, please call for repair service at 1-800-648-5864.
4. If the grill still does not light you may need to purge air from the gas line or reset the pressure regulator excess gas flow device. **Note:** This procedure should be done every time a new LP gas tank is connected to your grill.

To purge air from your gas line and/or reset the pressure regulator excess gas flow device:

- Turn all control knobs to the OFF position.
 - Turn off the gas at the tank valve.
 - Disconnect pressure regulator from LP gas tank.
 - Let unit stand for 5 minutes.
 - Reconnect pressure regulator to the LP gas tank.
 - Turn the tank valve on slowly until $\frac{1}{4}$ to $\frac{1}{2}$ open.
 - Open the grill lid.
 - Push and turn any control knob to HIGH.
 - Turn control knobs to HIGH until all the burners are lit.
 - You may start to use the grill.
5. If all checks or corrections have been made and you still have questions about operating your gas grill, call the **Grill Information Center at 1-800-648-5864**

Cleaning and Maintenance

To ensure a proper working unit the following proper care and maintenance is suggested.

Cleaning Cooking Grids

We suggest you wash your cooking grids in a mild soap and warm water solution. You can use a wash cloth or soft brush to clean your cooking grids.

Cleaning Heat Diffusers

Periodically you should wash the heat diffusers in a soap and warm water solution. Use a soft brush to remove stubborn burnt-on cooking residue. The heat diffusers should be dry before you reinstall them.

Cleaning Grease Tray

The grease tray should be emptied and wiped down periodically and washed in a mild detergent and warm water solution. A small amount of sand or cat litter may be placed in bottom of grease tray to absorb the grease.

Check the grease tray frequently, don't allow excess grease to accumulate and overflow out of the grease tray.

Annual Cleaning of Grill Interior

Burning-off the grill after every use will keep it ready for your next use. However, once a year you should give the entire grill a thorough cleaning to keep it in top operating condition. Follow these steps.

1. Turn all burner valves to full OFF position.
2. Turn LP gas tank valve to full OFF position.
3. Detach LP gas hose and pressure regulator assembly from your gas grill. Inspect for any damage and replace as necessary with manufacturer replacement part number found on parts list.
4. Remove and clean heat diffusers, cooking grids and grill burners.
5. Cover each gas valve orifice with aluminum foil.
6. Brush inside and bottom of grill with a nylon brush, and wash with a mild soap and warm water solution. Rinse thoroughly and let dry.
7. Remove the aluminum foil, then reinstall heat diffusers, and cooking grids.
8. Reconnect gas source and observe burner flame for correct operation.

Cleaning Exterior Surface

We suggest you wash your grill using a mild soap and warm water solution. You can use a wash cloth or sponge for this process. Do not use abrasives or a brush that might remove finish during the cleaning process.

Cleaning Exterior Stainless Steel Surfaces

Weathering and extreme heat can cause exterior stainless steel surfaces to turn tan in color. Machine oils used in manufacturing process of stainless steel can also cause this tanning color. Use a stainless steel cleaner to polish stainless steel surfaces of your grill. Never use abrasive cleaners or scrubbers because they will scratch and damage your grill.

Cleaning Burner Tubes and Burner Ports

To reduce the chance of "FLASH-BACK" the procedure below should be followed at least once a month in late summer or early fall when spiders are most active or when your grill has not been used for a period of time.

1. Turn all burner valves and gas tank valve to off position.
2. Detach the LP gas pressure regulator assembly from your gas grill.
3. Remove cooking grids, heat diffusers, and grease tray from the grill.
4. Remove the screws from the underside of each burner and lift the burners up and away from the gas valve orifice.
5. Using a bent stiff wire in the shape of a hook, air hose or a bottle brush, run it through the burner tube and inside several times to remove any debris.
6. Replace burners, see illustration below.

Step 1. Remove screw which locks ignite wire.

Step 2. Take off R clip which fixes burner at the end side.

Step 3. Locate the new burner onto the orifice.

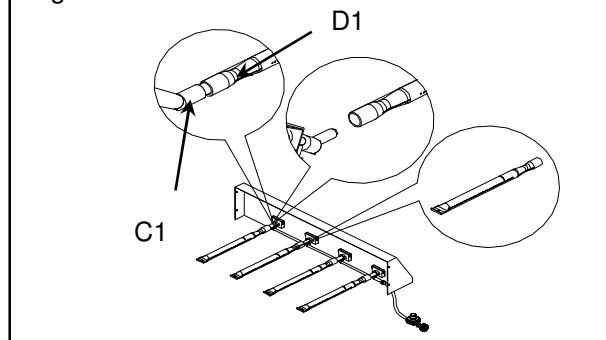
(a) Insert the burner over the main burner gas valve.

(b) Make sure the orifice stud (C1) is inside the burner venturi (D1) as shown in Fig.35.

Step 4. Secure the main burner on the back wall using R clip, and fix on ignite wire.



Fig.35



 **WARNING**

The location of the burner tube with respect to the orifice is vital for safe operation. Check to ensure the orifice is inside the burner tube before using the gas grill. If the burner tube does not fit over the valve orifice, lighting the burner may cause explosion and/or fire.

Regardless of which burner cleaning procedure you use, we recommend you also complete the following steps to help prolong burner life.

1. Use a fiber pad or nylon brush to clean the entire outer surface of each burner until free of food residue and dirt.

2. Clean any clogged ports with a stiff wire, such as an open paper clip.
3. Inspect each burner for damage (cracks or holes) and if such damage is found, order and install a new burner. After installation check to ensure that gas valve orifices are correctly placed inside the ends of the burner tubes.

 **WARNING**

Spiders and insects can nest inside the burners of the grill and disrupt gas flow. This very dangerous condition could cause a fire behind the valve panel, thereby damaging the grill and making it unsafe for operation. Inspect the grill at least twice a year.

Troubleshooting

BEFORE CALLING FOR SERVICE

If the grill does not function properly, use the following check list before calling for service.

You should inspect the burners at least once a year or immediately after any of the following conditions occur:

PROBLEMS	WHAT TO DO
Grill won't light when the control knob is rotated.	Check to see if LP tank is empty. Clean wires and/or electrode by rubbing with alcohol and clean swab. Wipe with dry cloth. Make sure the wire is connected to electrode assembly. Check to see if other burners operate. If so, check the gas orifice on the malfunctioning burner for an obstruction.
Burner flame is yellow or orange, in combination with the odor of gas.	Refer to Cleaning Burner Tubes and Burner Ports on page 22. If problem still exists, please call 1-800-648-5864
Low heat with knob in "HIGH" position.	1. Make certain the problem is isolated to only one burner. If it appears so, clean the orifice and burner, clearing ports of any obstruction. 2. Check for a bent or kinked fuel hose. 3. Make sure the air shutter is properly adjusted. 4. Check for proper gas supply and pressure. 5. Pre-heat the grill for a full 15 minutes. 6. If using LP gas, check for an empty tank.

Cooking Instructions



WARNING

Do not leave the grill unattended.
Your grill will get very hot. Never lean over the cooking area while using your grill. Do not touch cooking surfaces, grill housing, Grill Lid or any other grill parts while the grill is in operation, or until the grill has cooled down after use. Failure to comply with these instructions may result in serious bodily injury.



WARNING

Do not line the bottom of the grill housing with aluminum foil, sand or any substance that will restrict the flow of grease into the grease tray. Failure to comply with these instructions could result in a fire or explosion which could cause serious bodily injury, death, or property damage.

Burn-off

Before cooking on your gas grill for the first time, you will want to “burn off” the grill to eliminate any odor or foreign matter. Just ignite the burners, lower the lid, and operate grill on the HIGH setting for 3 to 5 minutes.

Cooking Temperatures

High setting: Only use this setting for fast warm-up, Sear steaks or chops and for burning food residue off the grill after cooking is complete. **Never** use the HIGH setting for extended cooking.

Medium to Low Settings: Most recipes specify medium to low settings, including all smoking, rotisserie cooking and for cooking lean cuts such as fish.

NOTE: Temperature settings will vary with the temperature and the amount of wind outside your home.

Direct Cooking

The direct cooking method can be used with the supplied cooking grids and food placed directly over the lit grill burners. The method is ideal for Sear and whenever you want meat, poultry or fish to have an open-flame barbecued taste. Deep frying and smoking are also best cooked in this manner because they require direct heat.

Indirect Cooking

To cook indirectly, the food should be placed on the left or right side of your grill with the burner lit on the opposite side.

Flare-ups

The fats and juices dripping from grilled food can cause flare-ups. Since flare-ups impart a favorably distinctive taste and color to food cooked over an open flame, they should be accepted up to a point. Nevertheless, uncontrolled flaring can result in a ruined meal.

Grill Cooking Chart

Warning: To ensure that it is safe to eat, food must be cooked to the minimum internal temperatures listed in the table below.

Food	Temperature
Beef, veal and lamb (pieces and whole cuts) - medium-rare	63 C (145 F)
Beef, veal and lamb (pieces and whole cuts) - medium	71 C (160 F)
Beef, veal and lamb (pieces and whole cuts) - well done	77 C (170 F)
Pork (pieces and whole cuts)	71 C (160 F)
Poultry (e.g. chicken, turkey, duck) - pieces	74 C (165 F)
Poultry - whole	85 C (185 F)
Ground meat and meat mixtures (e.g. burgers, sausages, meatballs, meatloaf, casseroles) - beef, veal, lamb and pork	71 C (160 F)
Ground meat and meat mixtures - poultry	74 C (165 F)
Egg dishes	74 C (165 F)
Others (hot dogs, stuffing and leftovers)	74 C (165 F)

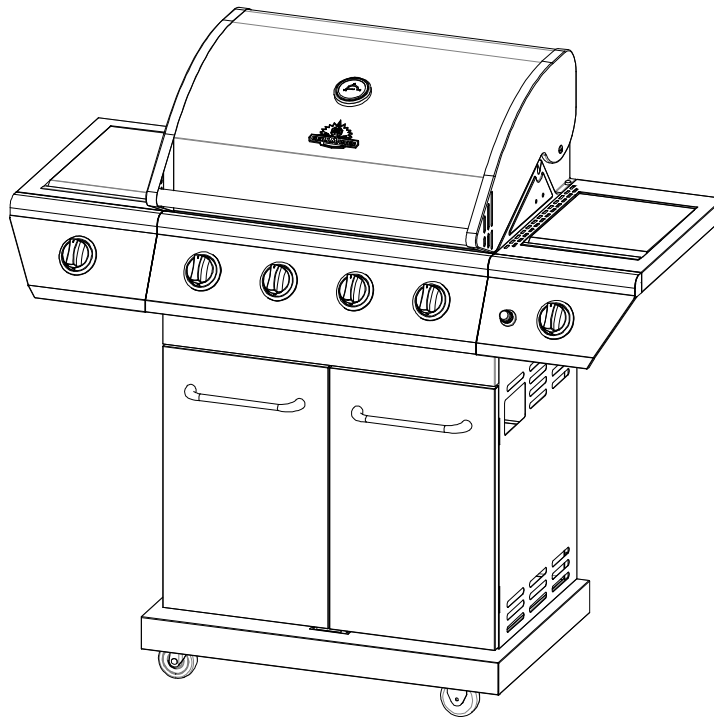
From: Canadian Food Inspection Agency

Food	Weight or thickness	Temperature	Time	Special instructions and tips
Vegetables	NA	Medium	8 to 20 minutes	Slice or chop vegetables and dot w ith butter or margarine. Wrap tightly in heavy duty foil. Grill turning occasionally.
Potatoes	Whole	Medium	40 to 60 minutes	Wrap individually in heavy duty foil. Cook rotating occasionally.
Meat/Steaks	1/2 to 3/4 inches	High-Medium	4 to 15 minutes	Pre-heat grill for 15-20 minutes then sear steaks on each side for two o minutes. Next, grill 3 to 5 minutes on each side or until desired doneness.
Ground Meats	1/2 to 3/4 inches	Medium	8 to 15 minutes	Grill turning once w hen juices rise to the surface or until desired amount of doneness. Do not leave hamburgers unattended since a flare-up could occur quickly.
Ribs	1/2 or full rack	Medium	20 to 40 minutes	Grill turning occasionally. During last few minutes brush w ith barbecue sauce, turn several times.
Hot dogs	NA	Medium	5 to 10 minutes	Grill turning four times. 2-4 minutes on each of four sides.
Poultry-Cut	1/4 to 1/2 pounds	Low or Medium	20 to 40 minutes	Grill turning occasionally. During last few minutes brush w ith barbecue sauce if desired, turn several times.
Poultry Whole	2 to 3 pounds	Low	1 to 1-1/2 hours	Use poultry stand and brush frequently as desired.
		Medium	40 to 60 minutes	Use poultry stand and brush frequently as desired.
Fish	3/4 to 1 inch	Medium	8 to 15 minutes	Grill turning once to desired doneness. Brush w ith melted butter, margarine or oil.



PARRILLA A GAS LP (página 26-50)

MODELO # 720-0783



! ADVERTENCIA

Para reducir el riesgo de incendio, quemaduras u otras lesiones, leer el manual detenidamente y en su totalidad antes de usar la parrilla.

! ADVERTENCIA

Esta parrilla no debe instalarse en o sobre vehículos y/o barcos recreacionales.

! ADVERTENCIA

PARA USO EXCLUSIVO EN LUGARES ABIERTOS.



Versión N°: 19000373A2

Nota para el usuario

Deje este Manual del Usuario en un lugar conveniente para referencia en el futuro.



Sólo como ejemplo: SERIE N° _____ MFG. FECHA _____ FECHA DE COMPRA: _____



¿Preguntas, problemas, piezas faltantes? Antes de regresar a su vendedor minorista, comuníquese con nuestro departamento de servicio al cliente llamando al 1-800-648-5864, de 8 a.m. a 5 p.m., (Este tiempo), de lunes a viernes.

Visite nuestro sitio Web en: www.grillmasterbbqs.com

Índice

Garantía-----	27
Precauciones de seguridad-----	27-29
Listado del contenido del paquete-----	30-31
Contenidos del equipo-----	32
Preparación-----	32
Diagrama de piezas -----	33
Listado de piezas -----	34
Instrucciones de ensamblaje-----	35-44
Instrucciones de encendido de la parrilla-----	45-46
Limpieza y mantenimiento -----	47-48
Localización y resolución de problemas -----	48
Instrucciones de cocción-----	49
Tabla de cocción -----	50

Garantía de la parrilla

Garantía limitada por un año en piezas de acero inoxidable y otras piezas.

En caso de que esta parrilla presentara fallas debido a materiales o mano de obra defectuosos dentro del periodo de un año a partir de la fecha de compra, llame al 1-800-648-5864 para obtener una reparación gratuita (o el reemplazo del producto si la reparación del mismo fuera imposible).

A partir de la fecha de compra y durante cinco años, todos los mecheros de acero inoxidable que se oxiden se reemplazarán sin costo. Luego del primer año contado desde la fecha de compra, usted abona la mano de obra si desea que se lo instalen.

Todas las coberturas por garantía no incluyen las baterías del encendedor y la pérdida de pintura de las piezas de la parrilla, la pérdida de color o el óxido, ya sea que se trate de piezas prescindibles que pueden desgastarse por el uso normal dentro del periodo de garantía o se trate de situaciones que pueden ser el resultado del uso normal del producto, de un accidente o del mantenimiento incorrecto.

Toda cobertura por garantía quedará nula en caso de que esta parrilla se haya usado con fines comerciales o de alquiler.

Toda cobertura por garantía se aplica únicamente si esta parrilla se utiliza en Canadá.

GrillMaster® logo es una marca registrada de Sunbeam Products, Inc. utilizada bajo licencia.

Precauciones



ADVERTENCIA

En caso de que estas instrucciones no se cumplieran, ello podría dar como resultado un incendio o una explosión que podría causar lesiones corporales graves, la muerte o daños a la propiedad.



ADVERTENCIA

Su parrilla llegará a tener una temperatura muy elevada. Nunca se incline sobre el área de cocción mientras use la parrilla. No toque las superficies de cocción, la carcasa de la parrilla, la tapa o cualquier otra pieza de la parrilla mientras ésta esté operando o hasta que la parrilla de gas se haya enfriado luego de usarla.

El incumplimiento de estas instrucciones puede dar como resultado lesiones corporales graves.



ADVERTENCIA

1. **No almacene ni use gasolina u otros líquidos o vapores inflamables en las cercanías de este o cualquier otro dispositivo.**
2. **No se debe almacenar en las cercanías de este o cualquier otro dispositivo un cilindro de propano líquido (LP, por sus siglas en inglés) que no esté conectado para su uso.**



PELIGRO

En caso de que usted huelga gas:

1. **cierre el suministro de gas del dispositivo.**
2. **Apague cualquier tipo de llama abierta.**
3. **Abra la tapa.**
4. **Si el olor persiste, manténgase alejado del dispositivo y llame inmediatamente a su proveedor del servicio de gas o al departamento de bomberos.**

Códigos de instalación de la parrilla

La instalación debe cumplir con los códigos locales o, en ausencia de ellos, con todo código de gas combustible a nivel nacional, norma ANSI Z 223.1/NFPA S4, el código de instalación para gas propano y gas natural, norma CSA B149.1 o el código de manipulación y almacenamiento de propano, norma B149.2, o las normas para vehículos recreativos, norma ANSI A 119.2, y el código de vehículos recreativos serie CSA Z240 RV, según corresponda.

Los modelos de parrilla de gas LP están diseñados para que se usen con un tanque de gas propano líquido de 20 lb estándar, que no está incluido con la parrilla. Nunca conecte su parrilla de gas a un tanque de gas LP que supere esta capacidad.

Precauciones

Un tanque de 12 pulgadas de diámetro por 18 ½ pulgadas de alto aproximadamente es el tamaño máximo del tanque de gas LP para usar en la parrilla.

Debe usar un tanque de gas OPD que brinda un Dispositivo de Prevención por Sobrecarga.

Esta función de seguridad evita que el se sobrecargue lo que puede ocasionar un funcionamiento incorrecto del tanque de gas LP, del regulador de presión y/o de la parrilla.

El tanque de gas LP debe estar construido y marcado de acuerdo con las especificaciones del Departamento de Transporte de Estados Unidos (DOT, por sus siglas en inglés). En Canadá, el tanque de gas LP debe cumplir con las Normas Nacionales de Canadá, norma CAN/CSA-B339, sobre cilindros, esferas y tubos de la Comisión y Transporte de Mercadería Peligrosa.

1. El tanque de gas LP debe tener una válvula de cierre que cancele la salida del suministro de gas LP de la válvula del tanque y que sea compatible con un dispositivo de conexión para tanque Tipo 1. El tanque de gas LP también debe contar con un dispositivo de escape de seguridad que tenga una conexión directa con el espacio de vapor del tanque.
2. El sistema de suministro del tanque debe estar adaptado para la salida de vapores.
3. El tanque de gas LP debe tener un collarín que proteja la válvula del tanque.

Colocación correcta y espacio libre de la parrilla

Nunca use la parrilla de gas en un garaje, entrada, cobertizo, corredor o cualquier otro lugar cerrado. La parrilla de gas debe utilizarse **sólo al aire libre**, al menos 24 pulgadas desde la parte de atrás y del costado de cualquier superficie combustible. La parrilla de gas no debe utilizarse en una construcción combustible elevada. No obstruya el flujo de aire de la ventilación que se encuentra en la carcasa de la parrilla de gas.

- No instale esta parrilla a gas para exteriores en o sobre vehículos recreativos o botes.
- Mantenga despejada y sin materiales combustibles, gasolina y demás vapores y líquidos inflamables el área donde se encuentra la parrilla a gas para exteriores.
- No obstruya el flujo de combustión y del aire de la ventilación. Controle esto con anterioridad cada vez que use la parrilla.
- **Jamás** conecte un tanque de gas LP sin regular a la parrilla a gas. El ensamble del regulador de presión de gas que viene con su parrilla de gas está adaptado para que tenga una presión de salida de una columna de agua (W.C.) de 11" para la conexión a un tanque de gas LP.
- Sólo use el ensamble del regulador de presión y la manguera que vienen con su parrilla a gas. Los ensamblajes de los reguladores de presión y de la manguera de reemplazo deben ser los que se especifican en este manual.
- Haga llenar su tanque de gas LP por un distribuidor de gas propano autorizado y que este realice una inspección ocular y lo deje en condiciones cada vez que llene el tanque.

- No guarde un tanque de gas LP de repuesto debajo de o cerca de este dispositivo.
- Al llenar el tanque, jamás supere el 80 por ciento de su capacidad. Si esta instrucción no se cumpliera con exactitud, es posible que se produzca un incendio que ocasione la muerte o lesiones graves.
- Siempre mantenga los tanques de gas LP en posición vertical.
- No almacene o use gasolina u otros vapores o líquidos inflamables en las cercanías de esta parrilla de gas.
- No exponga el tanque de gas LP a un calor excesivo.
- Nunca almacene un tanque de gas LP en un ambiente cerrado. Si usted guarda su parrilla de gas en el garaje o en otro lugar cerrado, **siempre** desconecte el tanque de gas LP en primer término y guárdelo afuera en un lugar seguro.



Siempre mantenga el cilindro LP a 90° (en posición vertical) para así facilitar la eliminación del vapor.

- Coloque la tapa anti-polvo sobre la salida de la válvula del cilindro siempre que el mismo no esté en uso. Instale sólo el tipo de tapa anti-polvo sobre la salida de la válvula del cilindro que viene con la mencionada válvula. Otros tipos de tapas o taponos pueden causar fugas de propano.
- Los tanques de gas LP deben guardarse en espacios abiertos, en áreas bien ventiladas y fuera del alcance de los niños. No deben guardarse los tanques de gas LP desconectados en viviendas, garajes o en cualquier otro tipo de lugar cerrado.
- Cuando su parrilla a gas no esté en uso, se debe cerrar el paso de gas en el tanque de gas LP.
- La presión del regulador y la manguera deben inspeccionarse con anterioridad cada vez que utilice la parrilla. En caso de que exista abrasión o desgaste excesivo o si la manguera está cortada, se debe reemplazar antes de que se utilice la parrilla nuevamente.
- Mantenga la manguera del regulador de presión de gas alejada de superficies calientes de la parrilla y que goteen grasa. Evite la torsión innecesaria de la manguera. Haga una inspección visual de la manguera con anterioridad cada vez que use la parrilla para detectar cortes, rajaduras, desgaste excesivo u otros daños. Si la manguera pareciera estar dañada, no use la parrilla de gas. Comuníquese con el 1-800-648-5864 para obtener una manguera de repuesto.
- **Nunca** encienda su parrilla a gas con la tapa cerrada o antes de controlarla a fin de asegurarse que los tubos de los mecheros estén colocados correctamente sobre los orificios de las válvulas de gas.
- **Nunca** permita que los niños operen la parrilla.



ADVERTENCIA

Un fuerte olor a gas o un sonido siseante del gas indica un problema grave respecto de la parrilla de gas o el tanque de gas LP. En caso de que las siguientes instrucciones no se cumplieran, ello podría dar como resultado un incendio o una explosión que podría causar lesiones corporales graves, la muerte o daños a la propiedad.

- Cierre el suministro de gas de la parrilla.
- Gire las perillas de control a la posición de apagado (OFF).
- Apague cualquier tipo de llama con un extintor de incendios adecuado.
- Abra la tapa de la parrilla.
- Aléjese del tanque de gas LP.
- No intente solucionar el problema usted mismo.
- Si el olor persiste o se ha producido un incendio que no puede apagar, llame al departamento de bomberos de su área. No llame cerca del tanque de gas LP ya que el teléfono es una forma de dispositivo eléctrico y podría generar chispas que den como resultado un incendio y/o una explosión.

NOTA: El flujo normal de gas que va por el ensamble del regulador de presión y la manguera puede causar un zumbido. Un volumen bajo de ruido es perfectamente normal y no interferirá con la operación de la parrilla. Si el zumbido es fuerte y excesivo, es posible que deba purgar el aire de la línea de gas o reajustar el dispositivo de flujo de gas en exceso del regulador de presión. Este procedimiento de purga debe hacerse cada vez que se conecte un nuevo tanque de gas LP a la parrilla. Para obtener asistencia con este procedimiento, consulte la página 45, punto 4, del título "En Caso de que Aún No se Encienda la Parrilla" o llame al Centro de Información sobre Parrillas al 1-800-648-5864.

PRECAUCIÓN: Tenga cuidado con los fogonazos

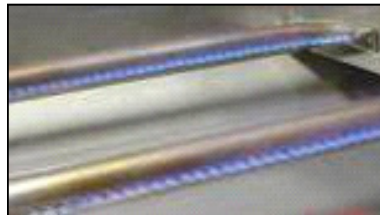
PRECAUCIÓN: Las arañas y los insectos pequeños pueden ocasionalmente tejer telillas o hacer nidos en los tubos de los mecheros de la parrilla durante el transporte o mientras están en el depósito. Estas telillas pueden causar obstrucciones en el flujo de gas que podrían hacer que se quemen los tubos de los mecheros y áreas circundantes. Este tipo de evento se lo conoce como "FOGONAZO" y puede causar graves daños a la parrilla y generar condiciones de operación riesgosas para el usuario.

Aunque el tubo de un mechero obstruido no es la única causa para que se genere un "FOGONAZO", es la más común.

A fin de minimizar las probabilidades de que ello ocurra, usted debe limpiar los tubos de los mecheros antes de armar la parrilla y luego por lo menos una vez al mes hacia el final del verano o a principios del otoño que es cuando las arañas tienen mayor actividad. Asimismo realice este procedimiento de limpieza si usted no ha usado la parrilla durante un tiempo prolongado.

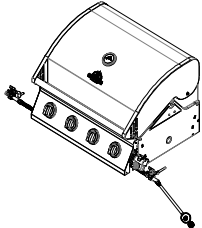
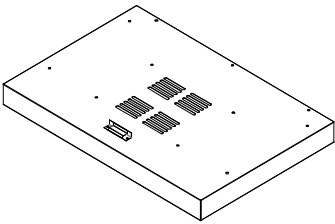
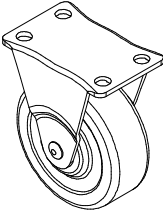
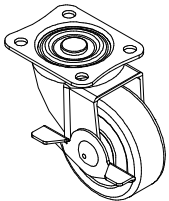
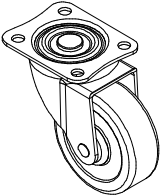
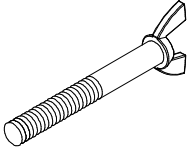
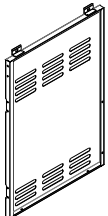
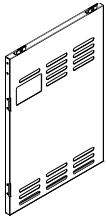
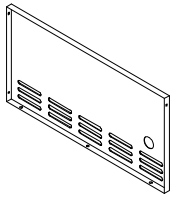
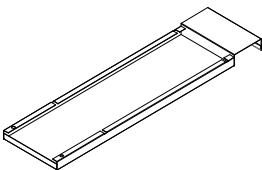
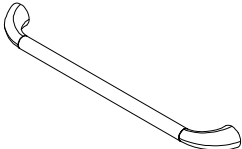
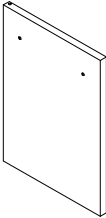
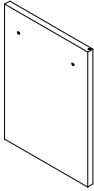
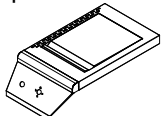
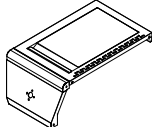
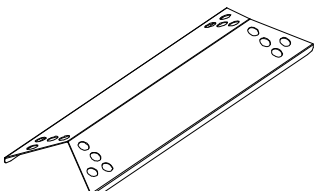
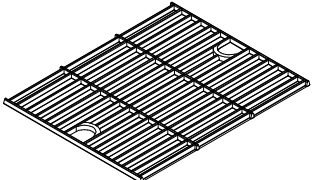
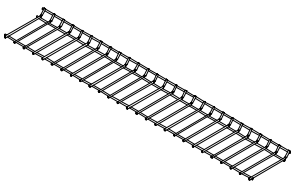
Consulte la sección "Limpieza de Tubos y Puertos de los Mecheros" en la página 47.

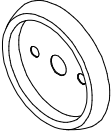
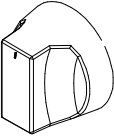

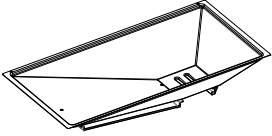
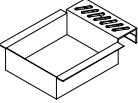

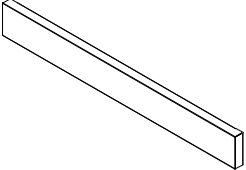
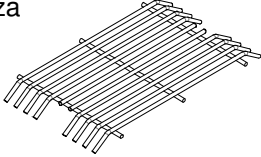
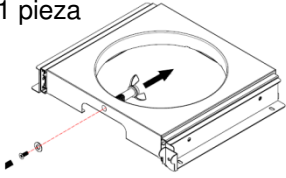
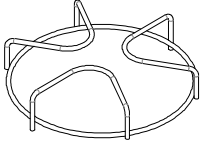
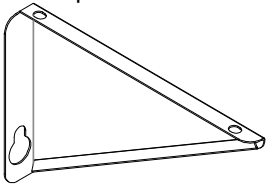
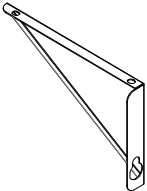
Control de las llamas de los mecheros



Controle en forma visual las llamas de los mecheros antes de cada uso. Las llamas debe tener el aspecto que se observa en la imagen. En caso contrario, consulte la sección sobre limpieza de los tubos y puertos de los mecheros en la página 47 de este manual.

Lista De Contenido Del Paquete

<p>A. Fogón --- 1 pieza</p> 	<p>B. Panel inferior --- 1 pieza</p> 	<p>C. Rueda --- 2 piezas</p> 
<p>D. Rueda giratoria con freno --- 1 pieza</p> 	<p>E. Rueda giratoria --- 1 pieza</p> 	<p>F. Perno para la bandeja del tanque --- 1 pieza</p> 
<p>G. Panel de lateral izquierdo --- 1 pieza</p> 	<p>H. Panel lateral derecho --- 1 pieza</p> 	<p>I. Panel trasero --- 1 pieza</p> 
<p>J. Bandeja de grasa para el mechero lateral para marcado --- 1 pieza</p> 	<p>K. Mango de la Puerta --- 2 piezas</p> 	<p>L. Puerta, lado izquierdo --- 1 pieza</p> 
<p>M. Puerta, lado derecho --- 1 pieza</p> 	<p>N. Armazón de ensamble para el embudo del mechero lateral regular con el panel de control del mechero lateral --- 1 pieza</p> 	<p>O. Mechero lateral de marcado izquierdo con el panel delantero del estante lateral --- 1 pieza</p> 
<p>P. Difusor de calor --- 4 piezas</p> 	<p>R. Rejilla de cocción --- 2 piezas</p> 	<p>S. Plataforma de calentamiento --- 1 pieza</p> 

<p>T. Bisel --- 2 piezas</p> 	<p>U. Perilla de control --- 2 piezas</p> 	<p>V. Batería alcalina tamaño AA --- 1 pieza</p> 
<p>W. Bandeja para grasa --- 1 pieza</p> 	<p>X. Recipiente para grasa --- 1 pieza</p> 	<p>Y. Varilla para encendido manual --- 1 pieza</p> 
<p>Z. Armazón del carro --- 1 pieza</p> 	<p>A1. Rejilla de cocción del mechero lateral para marcado --- 1 pieza</p> 	<p>B1. Bandeja del tanque de gas --- 1 pieza</p> 
<p>C1. Rejilla de cocción del mechero lateral regular --- 1 pieza</p> 	<p>D1. Abrazadera triangular derecha --- 1 pieza</p> 	<p>E1. Abrazador triangular, izquierda --- 1 pieza</p> 

Contenidos del equipo

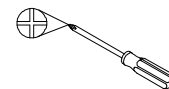
Artículo	Descripción	Especificación	Cantidad
AA	Tornillo de cabeza segmentada 	1/4" x 15mm	24 piezas.
BB	Tornillo de cabeza segmentada 	1/4" x 10mm	4 piezas.
CC	Tornillo de cabeza segmentada 	5/32" x 8mm	27 piezas.
DD	Tornillo de cabeza plana 	5/32" x 8mm	8 piezas.
EE	Arandela de seguridad 	1/4"	20 piezas.
FF	Arandela de seguridad 	5/32"	11 piezas.

Preparación

Antes de comenzar el armado, asegúrese de tener todas las piezas. Compare las piezas con el listado de contenidos del equipo y el diagrama anterior. Si cualquiera de las piezas falta o se encuentra dañada, no intente armar el producto. Contacte al servicio al cliente para solicitar piezas de repuesto.

- Herramientas necesarias para el ensamblaje:

Destornillador tipo Phillips (no se incluye) y llave inglesa (no se incluye).



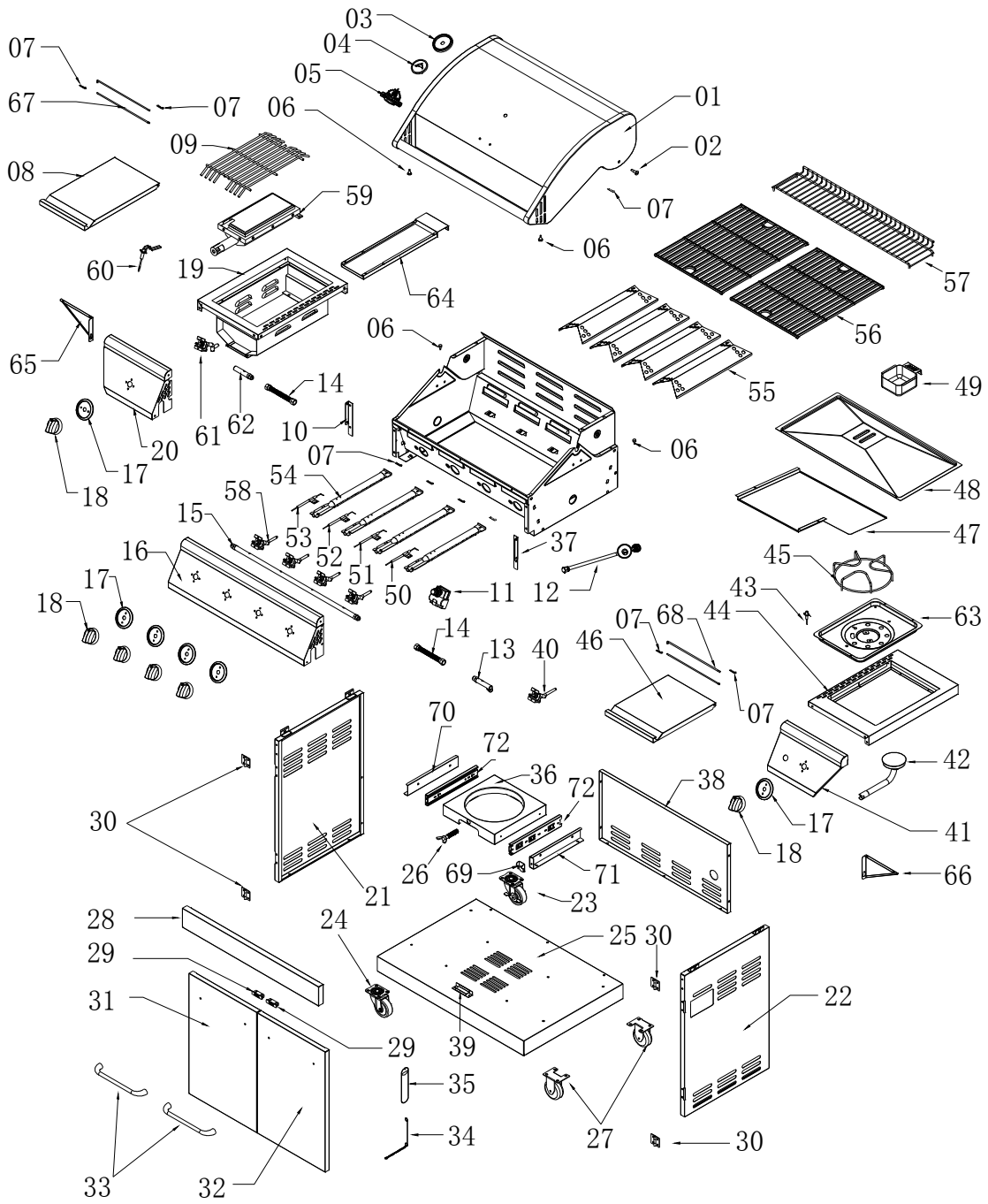
Destornillador tipo Phillips



Llave hexagonal

- Nota: Los laterales izquierdo y derecho de la parrilla se encuentran a su izquierda y a su derecha si se coloca de frente a la parrilla.

Vista en detalle



Listado de piezas

N de código	PIEZAS	DESCRIPCIÓN	CANTIDAD	N de código	PIEZAS	DESCRIPCIÓN	CANTIDAD
1	0783-001	Tapa principal	1	39	0783-039	Abrazadera en forma de L	1
2	0783-002	Tornillo de la tapa principal	2	40	0783-040	Válvula de gas del mechero lateral	1
3	0783-003	Carcasa del medidor de temperatura	1	41	0783-041	Panel de control del estante lateral, derechas	1
4	0783-004	Medidor de temperatura	1	42	0783-042	Ensamble del tubo del mechero lateral	1
5	0783-005	Logotipo	1	43	0783-043	Cable del encendedor del mechero lateral	1
6	0783-006	Tope de la cubierta	4	44	0783-044	Estante del mechero lateral	1
7	0783-007	Pinza en forma de R	10	45	0783-045	Rejilla de cocción del mechero lateral	1
8	0783-008	Tapa del mechero para marcado	1	46	0783-046	Tapa del mechero lateral	1
9	0783-009	Rejilla de cocción del mechero de marcado	1	47	0783-047	Protección contra el calor para el tanque de gas	1
10	0783-010	Abrazadera del soporte del panel de control, lado izquierdo	1	48	0783-048	Bandeja para grasa	1
11	0783-011	Módulo del encendedor de pulso	1	49	0783-049	Cajón para grasa	1
12	0783-012	Regulador, del propano líquido	1	50	0783-050	Cable A del encendedor del mechero principal	1
13	0783-013	Colector del mechero lateral	1	51	0783-051	Cable B del encendedor del mechero principal	1
14	0783-014	Línea de gas flexible para el mechero lateral	1	52	0783-052	Cable C del encendedor del mechero principal	1
15	0783-015	Colector principal	1	53	0783-053	Cable D del encendedor del mechero principal	1
16	0783-016	Panel de control principal	1	54	0783-054	Mechero principal	4
17	0783-017	Bisel	6	55	0783-055	Domadores de llamas	4
18	0783-018	Perilla de control	6	56	0783-056	Rejilla de cocción con agujeros	2
19	0783-019	Ensamble del embudo del mechero lateral	1	57	0783-057	Plataforma calentadora	1
20	0783-020	Panel de control frontal para el estante lateral, lado izquierdo	1	58	0783-058	Válvula de gas del mechero principal	4
21	0783-021	Panel lateral, lado izquierdo	1	59	0783-059	Mechero para marcado	1
22	0783-022	Panel lateral, lado derecho	1	60	0783-060	Cable del encendedor del mechero para marcado	1
23	0783-023	Rueda giratoria con freno	1	61	0783-061	Válvula de gas del mechero para marcado	1
24	0783-024	Rueda giratoria	1	62	0783-062	Colector del mechero para marcado	1
25	0783-025	Panel inferior, propano líquido	1	63	0783-063	Ensamble del embudo del mechero lateral	1
26	0783-026	Perno para la bandeja del tanque	1	64	0783-064	Bandeja de grasa para el mechero para marcado	1
27	0783-027	Rueda	2	65	0783-065	Abrazadera de estante lateral, lado izquierdo	1
28	0783-028	Marco del carro, frente	1	66	0783-066	Abrazadera de estante lateral, lado derecho	1
29	0783-029	Imán para la puerta	2	67	0783-067	Varilla de la bisagra de la tapa del mechero lateral, izquierda	2
30	0783-030	Bisagra de la puerta	4	68	0783-068	Varilla de la bisagra de la tapa del mechero lateral, derecha	2
31	0783-031	Puerta frontal, lado izquierdo	1	69	0783-069	Placa de bloque deslizante de la bandeja del tanque	1
32	0783-032	Puerta frontal, lado derecho	1	70	0783-070	Soporte de la bandeja del tanque A	1
33	0783-033	Mango de la puerta	2	71	0783-071	Soporte de la bandeja del tanque B	1
34	0783-034	Varilla de encendido	1	72	0783-072	Deslizadera	2
35	0783-035	Tapa de la varilla de encendido	1				
36	0783-036	Panel trasero	1				
37	0783-037	Abrazadera del soporte del panel de control, lado derecho	1				
38	0783-038	Panel trasero	1				

Si le falta algún elemento del equipo o tiene piezas dañadas luego de sacar el empaque de la parrilla, llame al 1-800-648-5864 para solicitar los reemplazos.

Para solicitar partes de repuestos luego de usar la parrilla, llame al 1-800-648-5864.

Importante: Use únicamente las piezas detalladas con anterioridad. Al solicitar piezas, brinde la siguiente información:

- N de modelo
- N de serie (se encuentra en el interior del panel frontal de su parrilla)
- Número de pieza (consulte el N de PIEZA en el gráfico)
- Descripción de la pieza
- Cantidad de partes que necesita

Instrucciones de ensamblaje

PRECAUCIÓN: Si bien es posible que una sola persona arme esta parrilla, trate de que otra persona lo asista cuando manipule algunas de las partes más grandes y pesadas.

Nota: Asegúrese de deslizar y sacar la bandeja para grasa por la parte de atrás del cabezal de la parrilla y quite todo el embalaje de la bandeja.

•Use el listado de piezas para verificar que la totalidad de las mismas estén incluidas.

•Inspeccione la parrilla para detectar desperfectos a medida que la arme. No ensamble ni opera la parrilla si parece estar dañada. En caso de que hubiera piezas dañadas o faltantes cuando saque la parrilla de la caja de envío o usted tuviera preguntas durante el proceso de ensamblaje llame al 1-800-648-5864.

Por preguntas sobre el Ensamblaje, llame al 1-800-648-5864 de 8AM a 5 PM (Este tiempo), de lunes a viernes.

1. Ensamble del carro de la parrilla

- a) Coloque las cuatro ruedas en el panel inferior (B) usando (16) Tornillo de cabeza segmentada $\frac{1}{4}$ "x15mm (AA), con (16) arandelas de seguridad de $\frac{1}{4}$ " (EE), Nota: (D) es una rueda giratoria con freno, (E) es una rueda giratoria, (C) son ruedas fijas. Observe la Fig.1. **Sugerencia:** Para que el ensamblaje de las ruedas sea sencillo, coloque el panel inferior boca abajo.

- b) Afloje el tornillo y la arandela ajustada al perno del tanque desde afuera del asiento de la bandeja del tanque de gas (B1). Quite el perno desde adentro e inserte el perno desde afuera de la bandeja del tanque. Vuelva a ajustar el tornillo y la arandela desde adentro de la bandeja del tanque. Observe la Fig.2.

- c) Coloque la bandeja del tanque de gas montada al panel inferior (B) usando (4) Tornillo de cabeza segmentada (CC). Observe la Fig.3.

Fig.1

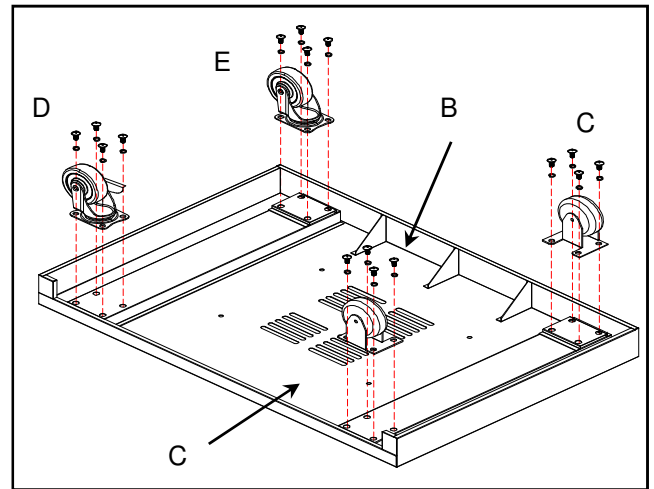


Fig.2

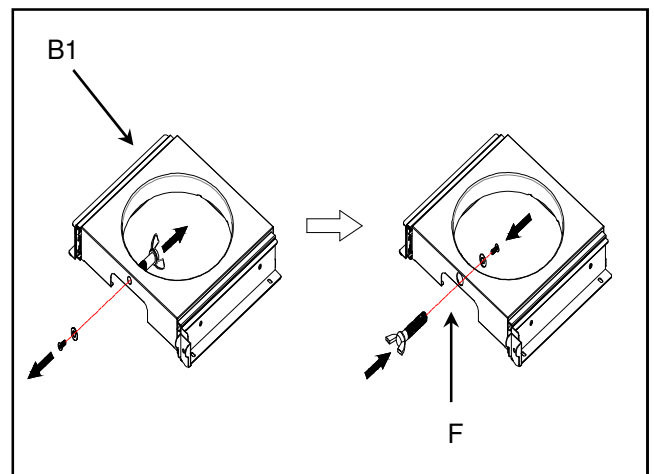
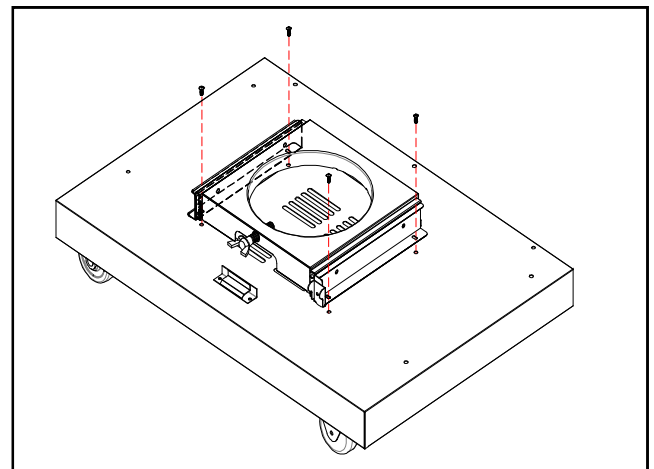
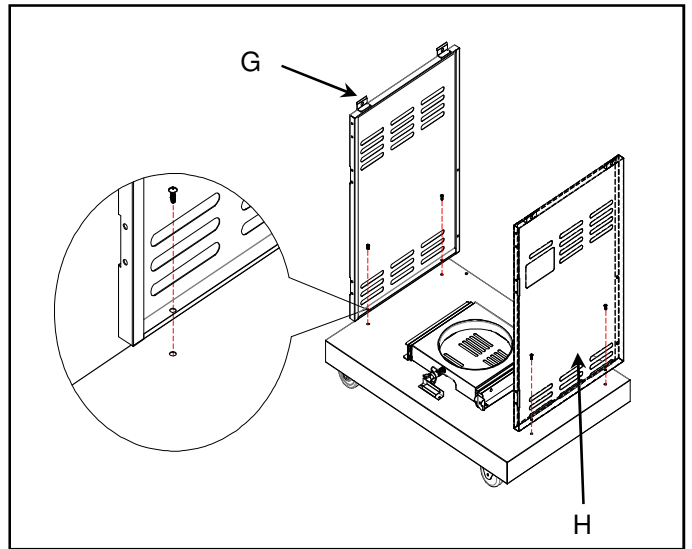


Fig.3



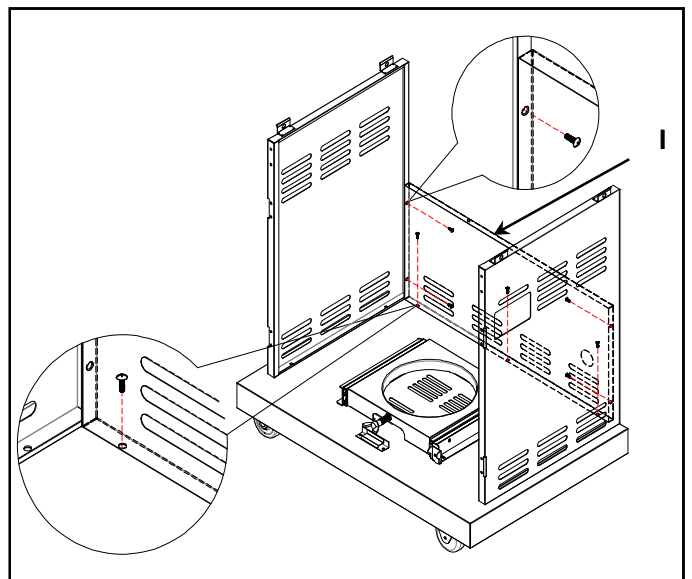
- (d) Coloque los paneles laterales izquierdo y derecho (G y H) en el panel inferior (B) usando (4) Tornillo de cabeza segmentada (CC) con (4) arandelas de seguridad (FF). Observe la Fig.4.

Fig.4



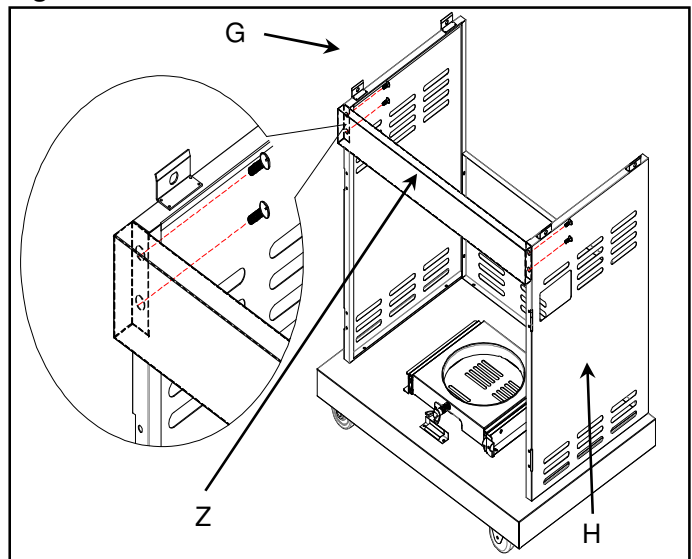
- (e) Coloque el panel trasero (I) en el panel inferior (B) usando (7) Tornillo de cabeza segmentada (CC) con (7) arandelas de seguridad (FF). Observe la Fig.5.

Fig.5



- (f) Coloque el listón del armazón del carro (Z) en ambos paneles laterales (G y H) usando (4) Tornillo de cabeza segmentada (BB) con (4) arandelas de seguridad (EE) desde adentro. Observe la Fig.6.

Fig.6



- (g) Coloque el mango de la puerta (K) en la puerta izquierda (L) usando (2) Tornillo de cabeza segmentada (CC). Repita el procedimiento para ensamblar el otro mango de la puerta en la puerta derecha (M). Observe la Fig.7.
- (h) Coloque las dos puertas (L y M) en los paneles laterales (G y H) usando (8) tornillos de cabeza plana (DD). Observe la Fig.8.

2. Ensamblaje del fogón

- (a) Asegúrese de que las puertas del carro de la parrilla estén cerradas para estabilizar el carro. Quite el cabezal de la parrilla (A) de la caja. Colóquelo sobre el carro tomándolo desde la parte inferior como se muestra en la Fig.9.

PRECAUCIÓN: El cabezal de la parrilla es pesado. Para evitar lesiones, trate de que lo asistan para hacer este paso. Asimismo, asegúrese de que las puertas queden cerradas cuando coloque el cabezal de la parrilla en el carro. NO abra las puertas hasta que el cabezal de la parrilla se encuentre armado con seguridad en el carro.

- (b) Coloque el cabezal de la parrilla (A) en los paneles laterales izquierdo y derecho (G y H) usando (4) Tornillo de cabeza segmentada (AA). Observe la Fig.10.

Fig.7

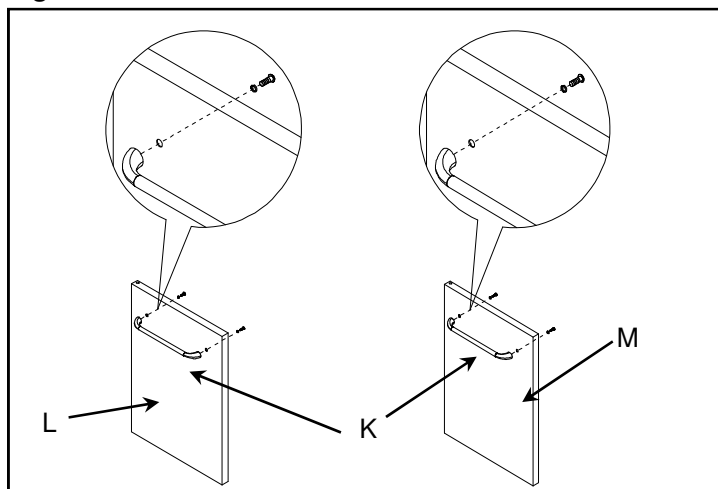


Fig.8

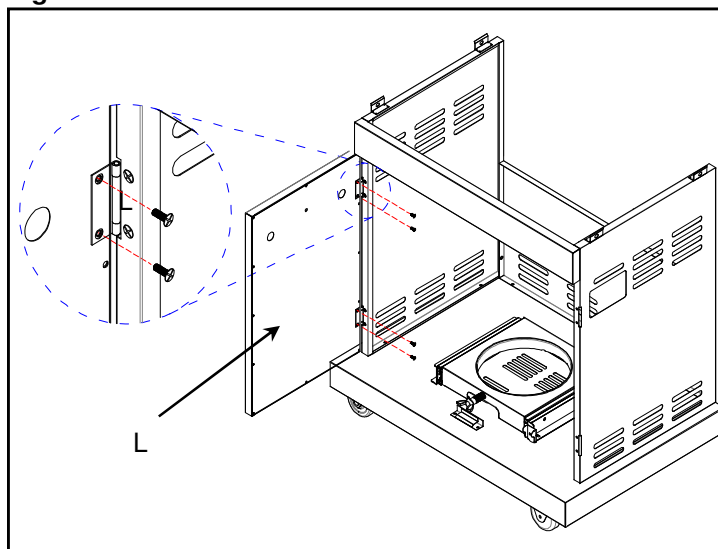


Fig.10

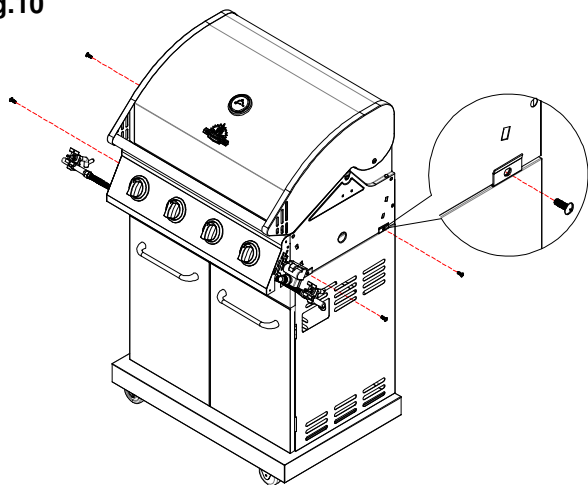
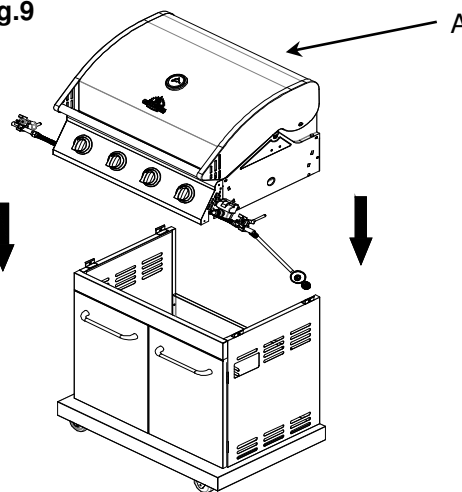


Fig.9



3. Ensamble del mechero lateral

- (a) Coloque la abrazadera triangular derecha (D1) en el mechero lateral (N) usando (2) Tornillo de cabeza segmentada (CC). Observe la Fig.11.
- (b) Afloje los (2) Tornillo de cabeza segmentada del cabezal de la parrilla (A) tal como se muestra. No los desatornille totalmente, deje una extensión de 1/4 para el ensamblaje del estante. Observe la Fig.12.
- (c) Por las ranuras de los estantes de los mecheros laterales, cuelgue el estante del mechero lateral (N) en los dos tornillos aflojados. Observe la Fig.13A.
- (d) Usando (2) Tornillo de cabeza segmentada (AA), coloque el estante del mechero lateral (N y D1) en el cabezal de la parrilla de la parte interior del fogón. Inserte (1) tornillo de cabeza tipo Phillips (CC) para colocar el panel frontal del estante del mechero lateral en el panel de control. Observe la Fig.13B. Ajuste totalmente los dos tornillos flojos para asegurar el estante en el fogón.

Fig.11

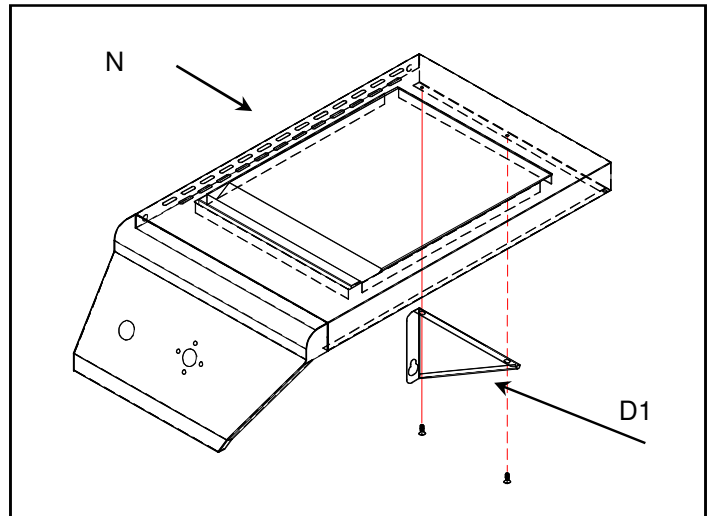
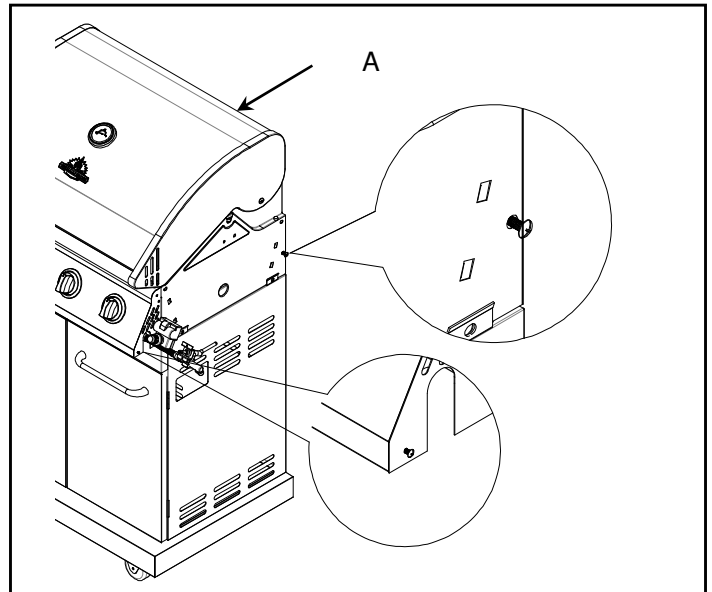


Fig.12



FUNCIONAMIENTO DE LA TAPA DEL QUEMADOR LATERAL

Las tapas de los quemadores laterales se levantan y se sueltan en dos pasos, para evitar que se cierren de golpe.

Instrucción: Levante la tapa en sentido recto antes de cerrarla. Vea la ilustración abajo:

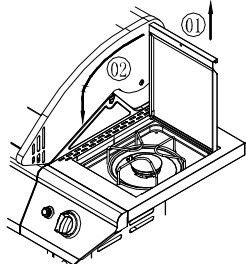


Fig.13B

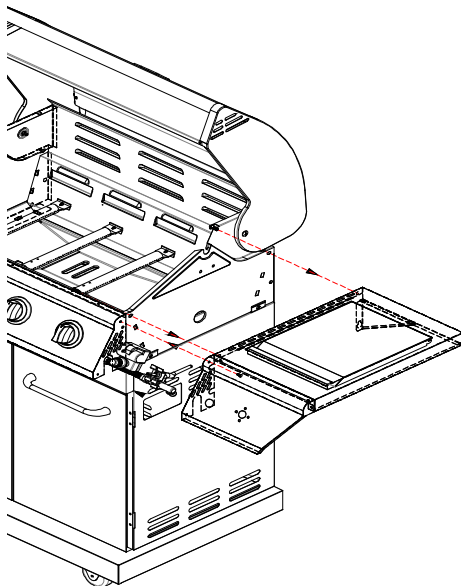
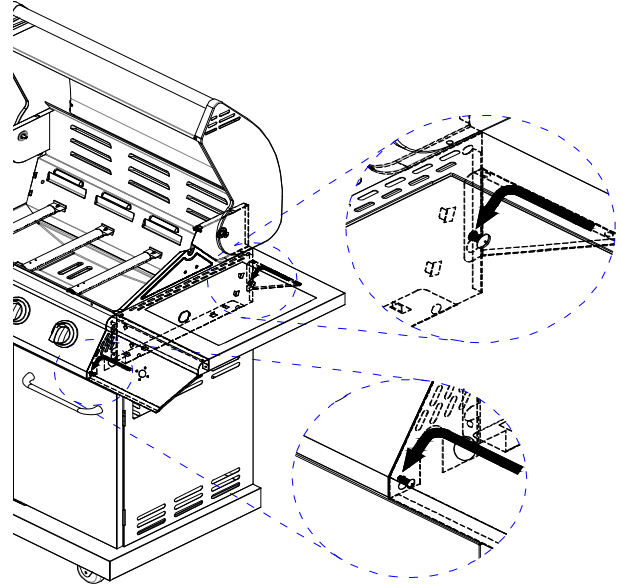


Fig.13A



4. Ensamble de la válvula del mechero lateral

- (a) Quite los dos tornillos del frente de la válvula de control del mechero lateral. Inserte el soporte del control de la válvula del mechero lateral por medio del agujero que está en el panel de control del mechero lateral. Coloque el bisel de la perilla de control de mechero lateral (T) sobre el soporte del control de la válvula del mechero lateral. Asegure el bisel al panel de control y a la válvula con los 2 tornillos que se sacaron antes. Observe la Fig.14.
- (b) Inserte el tubo del mechero lateral sobre el orificio de la válvula del mechero lateral. Observe la Fig.15A1. Usando (2) tornillos de cabeza tipo Phillips (CC) colocar el mechero lateral (N) en el estante y de esta forma hacer espacio para instalar la válvula del mechero lateral. Observe la Fig.15A2.
- (c) Empuje la perilla de control (U) en el soporte del control de la válvula y ajuste con una llave hexagonal. Observe la Fig.16.
- (d) Conecte el cable de encendido en el cable del encendedor colgándolo del electrodo que se encuentra sobre el lateral inferior del mechero. Observe la Fig.17.

Fig.14

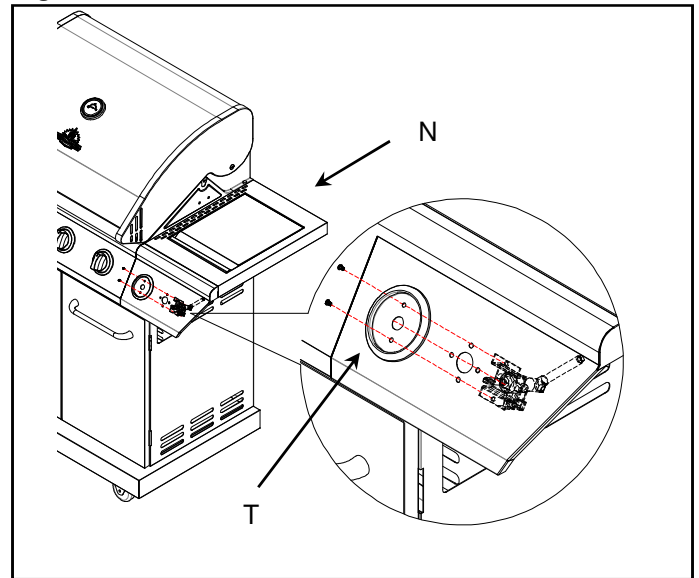


Fig.15

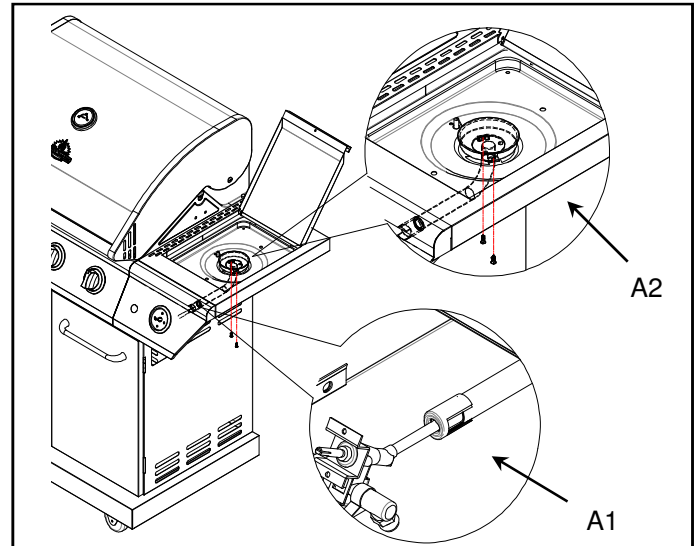


Fig.17

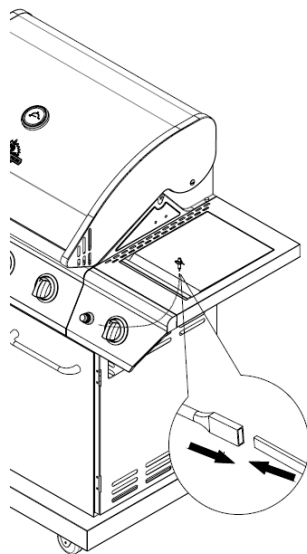
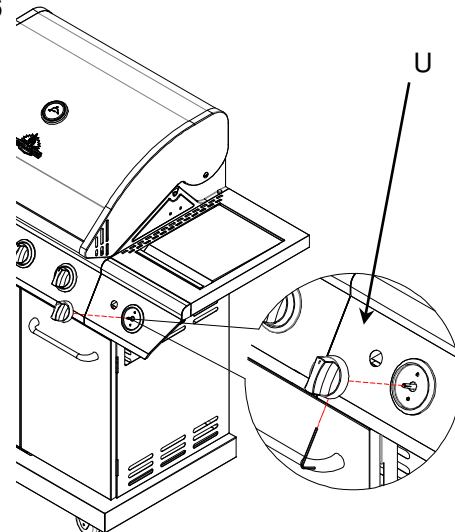


Fig.16



5. Ensamble del mechero lateral para marcado

- (a) Coloque la abrazadera triangular izquierda (E1) al mechero lateral (O) usando (2) tornillos de cabeza tipo Phillips (CC). Observe la Fig.18.
- (b) Afloje los (2) tornillos de cabeza y las (2) arandelas de seguridad que están previamente instalados del lado izquierdo del cabezal de la parrilla (A) tal como se muestra. No los desatornille totalmente, deje una extensión de $\frac{1}{4}$ para el ensamblaje del estante. Observe la Fig.19.
- (c) Por las ranuras de los estantes de los mecheros laterales, cuelgue el estante del mechero lateral (O) en los dos tornillos aflojados. Observe la Fig.20.
- (d) Usando (2) Tornillo de cabeza segmentada (AA) coloque el estante del mechero lateral (O y E1) en el cabezal de la parrilla desde adentro del fogón. Inserte (1) tornillo de cabeza tipo Phillips (CC) para colocar el panel frontal del estante del mechero lateral en el panel de control. Observe la Fig.21. Ajuste totalmente los dos tornillos flojos para asegurar el estante en el fogón.

Fig.18

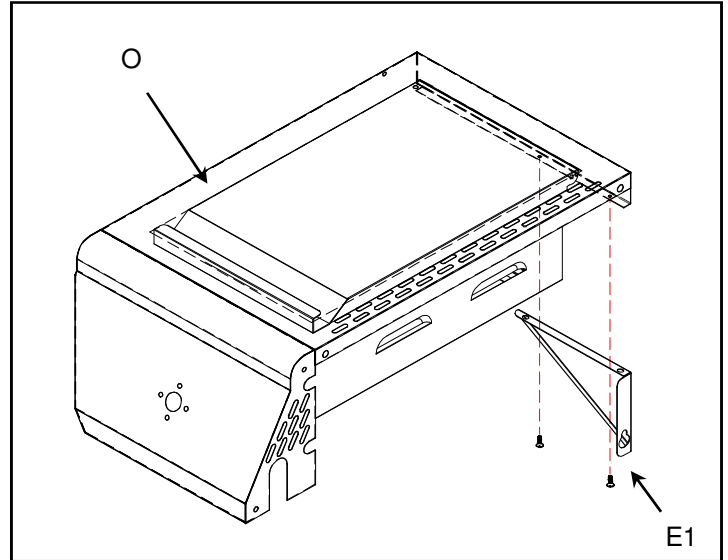


Fig.19

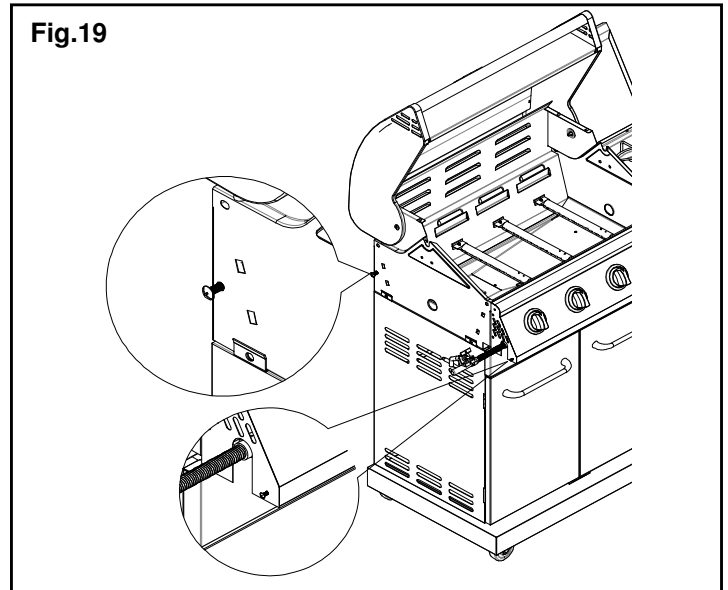


Fig.21

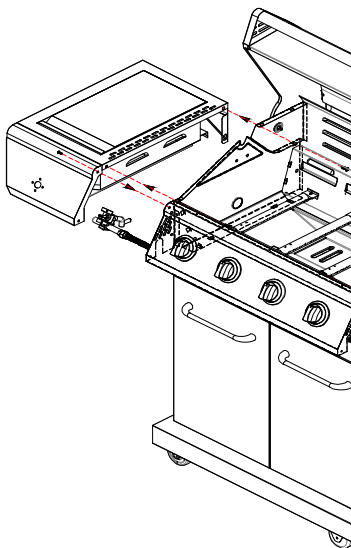
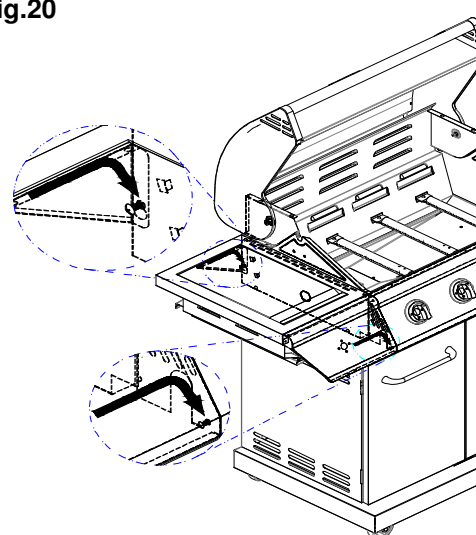


Fig.20



6. Ensamble la válvula del mechero lateral para marcado

- (a) Quite el encendedor del mechero lateral. Observe la Fig.22. Quite los dos tornillos en la parte trasera del embudo del mechero lateral observe la Fig.23, y luego saque el mechero lateral. Observe la Fig.24.
- (b) Quite los dos tornillos del frente de la válvula de control del mechero lateral. Inserte el soporte del control de la válvula del mechero lateral por medio del agujero que está en el panel de control del mechero lateral. Coloque el bisel de la perilla de control del mechero lateral (T) sobre el soporte del control de la válvula del mechero lateral. Asegure el bisel al panel de control y a la válvula con los 2 tornillos que se sacaron antes. Observe la Fig.25.
- (c) Inserte el mechero lateral sobre el orificio de la válvula del mechero lateral. Observe la Fig.26. Use los tornillos del mechero lateral que se quitaron antes para volver a colocar el mechero lateral en el estante del mechero lateral.
- (d) Vuelva a colocar el encendedor y ajuste los dos tornillos en la parte posterior del mechero.

FUNCIONAMIENTO DE LA TAPA DEL QUEMADOR LATERAL

Las tapas de los quemadores laterales se levantan y se sueltan en dos pasos, para evitar que se cierren de golpe.

Instrucción: Levante la tapa en sentido recto antes de cerrarla. Vea la ilustración abajo:

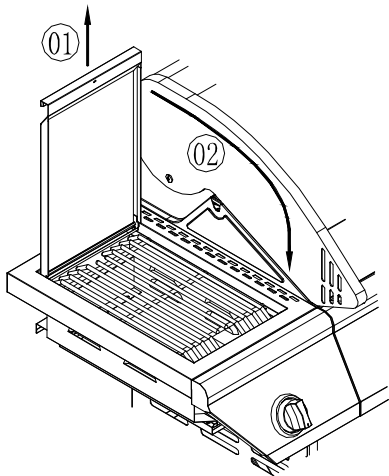


Fig.22

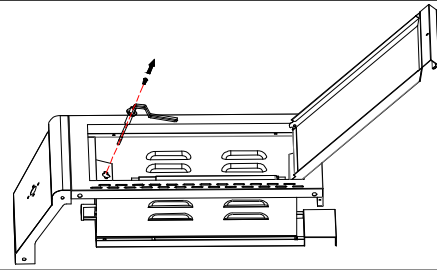


Fig.23

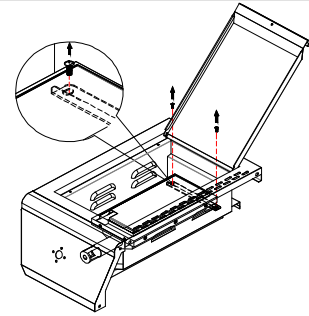


Fig.24

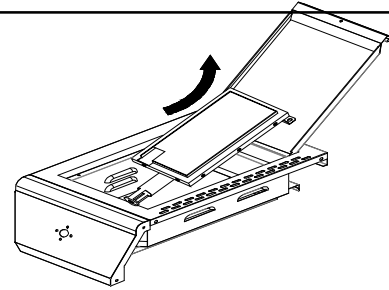


Fig.25

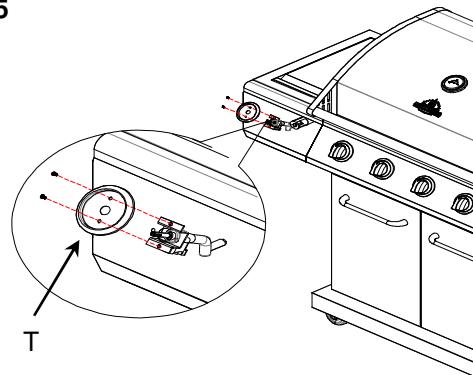
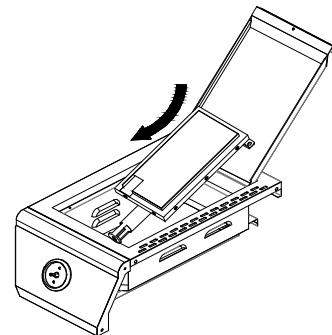


Fig.26



(e) Empuje la perilla de control (U) en el soporte del control de la válvula y ajuste con una llave hexagonal. Observe la Fig.27.

(f) Conecte el cable de encendido en el cable del encendedor colgándolo del electrodo que se encuentra sobre el lateral inferior del mechero. Observe la Fig.28.

7. Ensamble del encendedor y la batería

(a) Quite la tapa del encendedor y la arandela de seguridad del encendedor. Inserte el encendedor desde la parte trasera del panel de control del mechero lateral, asegure con una arandela de seguridad Observe la Fig.29.

(b) Instale la batería (V) en la caja de encendido con una terminal positiva que quede hacia fuera.

(c) Vuelva a colocar la tapa de las baterías de encendido luego de que la batería se haya instalado. Observe la Fig.29.

Nota: Cerciórese de que el encendedor esté ensamblado con los alambres mirando hacia arriba, de manera que estén lo suficientemente lejos del tubo múltiple.

Vea la ilustración abajo:

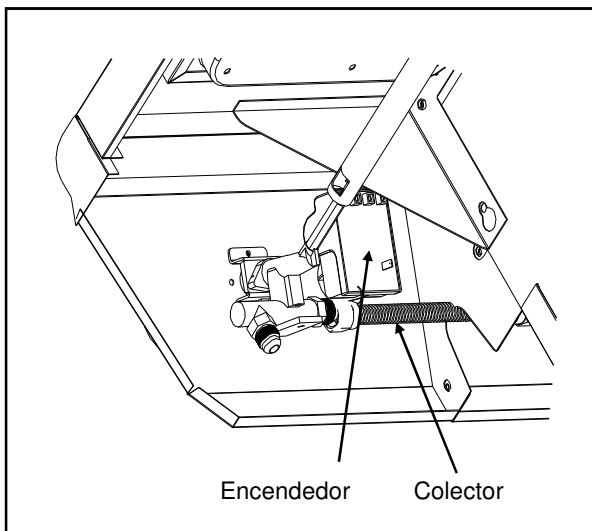


Fig.27

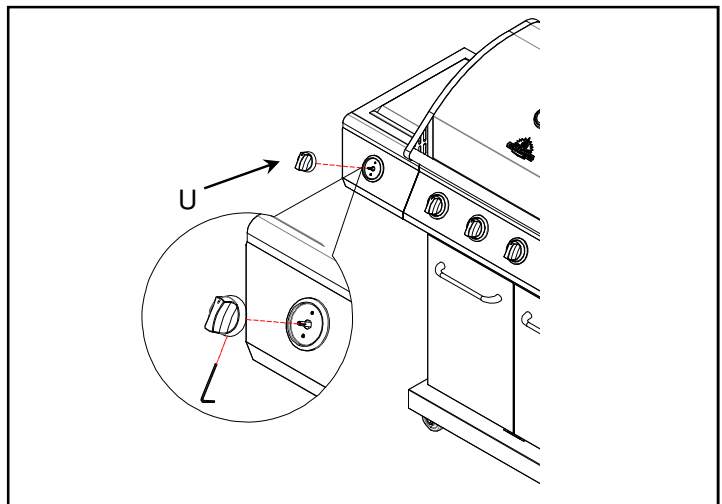


Fig.28

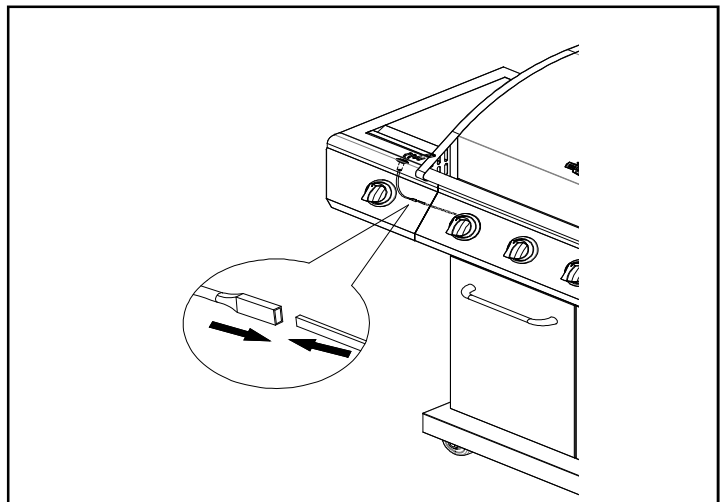
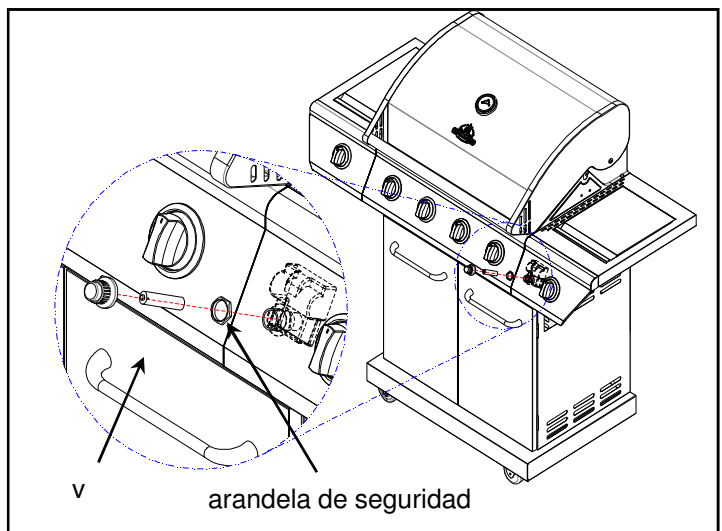


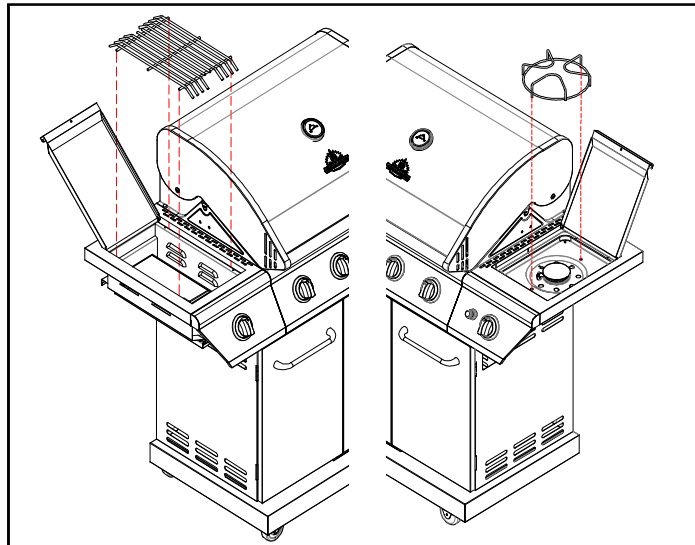
Fig.29



8. Ensamble de las rejillas del mechero lateral

Vuelva a colocar ambas rejillas en cada mechero lateral. Observe la Fig.30.

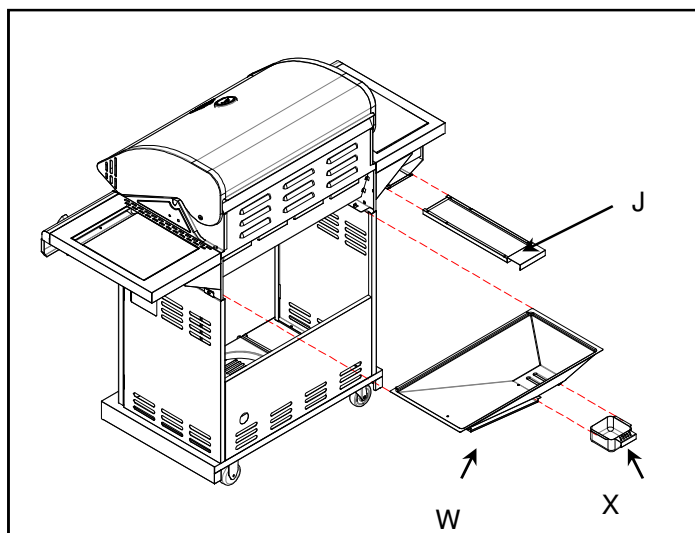
Fig.30



9. Ensamblaje del recipiente para grasa

Desde la parte posterior, saque la bandeja para grasa (W y J), quite todos los materiales de empaque de la misma y luego coloque el recipiente para grasa (X) en la bandeja para grasa (W) tal como se muestra en la Fig.31. Vuelva a poner la bandeja para grasa en la parrilla.

Fig.31



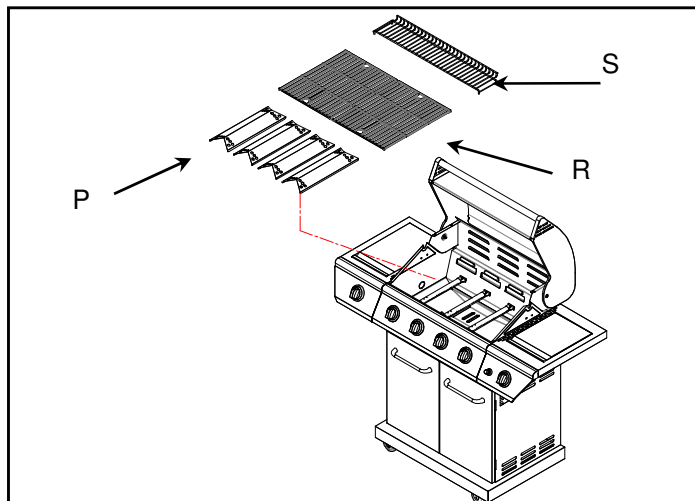
10. Instalación de los componentes de cocción

- (a) Coloque los difusores (P) de calor sobre los mecheros tal como se muestra. Inserte los extremos del difusor en los canales ubicados en el frente y en la parte posterior del fogón. Observe la Fig.32.
- (b) Separe en forma uniforme las rejillas de cocción (R) sobre la parte saliente que están arriba de los difusores de calor. Observe la Fig.32.

Para lograr marcas de placa doradora en la carne cocinada, asegúrese de insertar las rejillas en forma tal que ese lateral junto con el apoyo de cuatro vértices quede boca abajo.

- (c) Inserte las patas de la plataforma calentadora (S) en los agujeros que se encuentran en la parte superior de los paneles laterales del fogón. Observe la Fig.32.

Fig.32



11. Conexión del tanque de gas LP a la parrilla LP

- De la parte frontal del carro, gire la arandela de seguridad hacia la derecha y retírela del asiento de la bandeja del tanque, coloque la junta de apoyo del tanque de 20lb en el agujero ubicado en el panel inferior. Asegúrese de que la válvula del tanque se encuentre en la posición de apagado (OFF). Use el pestillo del tanque para asegurarse de que éste haya quedado en una posición fija y gire la arandela de seguridad hacia la izquierda. Observe la Fig.33.
- Verifique la válvula del tanque para asegurarse de que tenga las roscas de acoplamiento externas adecuadas que encajen en el ensamble de la manguera y del regulador de presión provistos.
- Asegúrese de que todas las válvulas de los mecheros estén en una posición de apagado (OFF).
- Inspeccione el puerto de conexión de la válvula y el ensamble del regulador de presión. Observe si hay daños o desechos. Quite cualquier tipo de desechos. Observe bien la manguera para detectar daños. Nunca utilice equipamiento dañado o tapado.
- Al conectar el ensamble del regulador de presión y de la manguera a la válvula del tanque, ajuste con la mano la tuerca de acoplamiento rápido en sentido de las agujas del reloj hasta que haga tope completamente. Observe la Fig.34. No use una llave para ajustarla porque podría dañarse la tuerca de acoplamiento rápido y esto podría generar una situación peligrosa.
- Abra lentamente la válvula del tanque por completo (en sentido contrario de las agujas del reloj) Use una solución de agua jabonosa para verificar que todas las conexiones no tengan fugas antes de intentar encender la parrilla (consulte la siguiente página para verificar las instrucciones). En caso de encontrar una fuga, cierre la válvula del tanque y no utilice su parrilla hasta que se repare la fuga.

PRECAUCIÓN: Cuando el dispositivo no esté en uso, el paso de gas debe apagarse en el tanque de suministro.

DESCONEXIÓN DEL CILINDRO DE PROPANO LÍQUIDO

Gire las válvulas del mechero de la parrilla a la posición de apagado (OFF) y asegúrese de que la parrilla esté fría. Gire la válvula del cilindro de propano líquido a la posición de apagado (OFF) girando las mismas en sentido de las agujas del reloj hasta que haga tope. Desprenda el ensamble del regulador de presión de la válvula del cilindro girando la arandela de acoplamiento rápido en sentido contrario de las agujas del reloj. Coloque la tapa anti-polvo sobre la salida de la válvula del cilindro siempre que el mismo no esté en uso. Instale sólo el tipo de tapa anti-polvo sobre la salida de la válvula del cilindro que viene con la mencionada válvula. Otros tipos de tapas o tapones pueden causar fugas de propano.

Fig.33

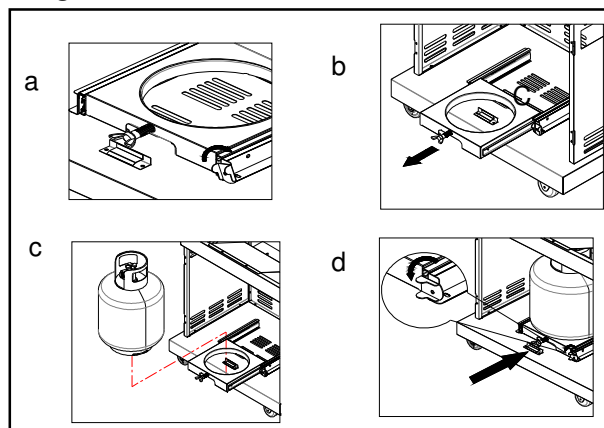
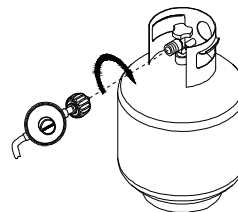


Fig.34

Conexión del regulador de presión



Felicitaciones

Su parrilla a gas GrillMaster® ya está lista para usarse. Antes de usarla por primera vez y al principio de cada estación (y siempre que se haya cambiado el tanque de gas LP):

- Lea todas las instrucciones relativas a la seguridad, el encendido y la operación del dispositivo.
- Verifique los orificios de la válvula de gas, los tubos de los mecheros y los puertos de los mecheros para detectar todo tipo de obstrucciones.
- Realice un control para detectar fugas de gas de acuerdo con las instrucciones que se encuentran en la siguiente página de este manual.

Importante

Antes de cocinar en su parrilla por primera vez, lave las rejillas y plataformas de cocción con agua caliente y jabonosa. Enjuáguelas y séquelas minuciosamente. Colóqueles aceite para cocinar en forma regular. Luego de que la cocción se termine, ponga la parrilla en la posición de máximo (HIGH) durante 3 a 5 minutos para quemar el exceso de grasa o los residuos de comida.

Verificación para detectar fugas de gas LP

Nunca haga pruebas para detectar fugas con una llama. Antes de usarla por primera vez, al comienzo de cada estación o cada vez que se cambie el tanque de gas LP, debe verificar el dispositivo para detectar fugas de gas.

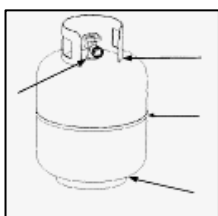
1. Haga una solución de jabón suave en partes iguales (50% agua/ 50% jabón).
2. Gire las perillas de control a la posición de apagado (OFF); luego abra el paso de gas (ON) en el tanque de suministro.
3. Aplique la solución jabonosa con un cepillo limpio en todas las conexiones de gas. Observe a continuación. Si aparecen formaciones de burbujas en la solución, las conexiones no están selladas apropiadamente. Verifique cada conexión y ajústelas o repárelas según sea necesario.

Verificación para la detección de fugas en la conexión de gas



1. Si tiene una fuga en la conexión de gas que no pueda reparar, cierre el paso de gas (OFF) en el tanque de suministro, desconecte la línea de combustible de la parrilla y llame al 1-800-648-5864 o a su proveedor de servicios de gas para que lo asista en la reparación.
2. Asimismo, aplique la solución jabonosa en las juntas del tanque. Observe a continuación. Si aparecen formaciones de burbujas, cierre el tanque (OFF) y no lo use ni lo mueva. Contacte al proveedor especialista en gas LP o al departamento de bomberos de su localidad para obtener asistencia.

Verificación para la detección de fugas en el tanque de gas



Instrucciones de encendido de la parrilla

Instrucciones de encendido para los mecheros principales

1. No fume mientras enciende la parrilla o verifica las conexiones del suministro de gas.
2. Asegúrese de que el tanque de gas LP este lo suficientemente lleno.



ADVERTENCIA

En caso de que no abra la tapa de la parrilla durante el procedimiento de encendido, ello podría dar como resultado un incendio o una explosión que podría causar lesiones corporales graves, la muerte o daños a la propiedad.

3. Asegúrese de que todas las conexiones de gas estén ajustadas de forma segura.
4. Abra el suministro de gas.
5. Abra la tapa principal de la parrilla.
6. Presione y gire cualquiera de las perillas de control del mechero principal a la posición de máximo (HIGH). Pulse el botón Encendido Electrónico durante 3 a 5 segundos para encender el mechero.



7. Si el mechero no se enciende luego de 5 segundos, gire la perilla a posición de apagado (OFF). Apague el gas (OFF) del tanque LP y espere 5 minutos para que se despeje el gas. Luego encienda el gas (ON) en el tanque y repita el paso 5.
8. Si todavía el mechero no se enciende, consulte las secciones "Encendido con cerillo" y "Si no se puede encender la parrilla" en la siguiente página.
9. Para encender otros mecheros, gire las perillas de los mecheros a la posición de máximo (HIGH). Presione y mantenga presionado el botón de encendido electrónico para encender el mechero. Ajuste la(s) perilla(s) en la posición deseada.

USO DEL MECHERO LATERAL:

Inspeccione la manguera del suministro de gas antes de abrir el paso del gas (ON). Si hubiera evidencias de cortes, desgaste o abrasión, debe reemplazarla antes de usar la parrilla. No use el mechero lateral si hubiera olor a gas. **ADVERTENCIA: Siempre mantenga su rostro y su cuerpo tan alejado como pueda del mechero al encenderlo.**

INSTRUCCIONES DE ENCENDIDO PARA LOS MECHEROS LATERALES

1. Abra por completo la tapa del mechero lateral.
2. Presione y gire la perilla del mechero lateral a la posición de máximo (HIGH). Presione y mantenga presionado el botón Encendido Electrónico de 3 a 5 segundos para encender el mechero.
3. Si el mechero lateral no se enciende luego de 5 segundos, gire la perilla a posición de apagado (OFF). Apague el gas (OFF) del tanque LP y espere 5 minutos para que se despeje el gas. Luego encienda el gas (ON) en el tanque y repita el paso 2.
4. Si todavía el mechero no se enciende, consulte las secciones "Encendido Con Cerillo" y "Si No se Puede Encender la Parrilla" en la siguiente página.



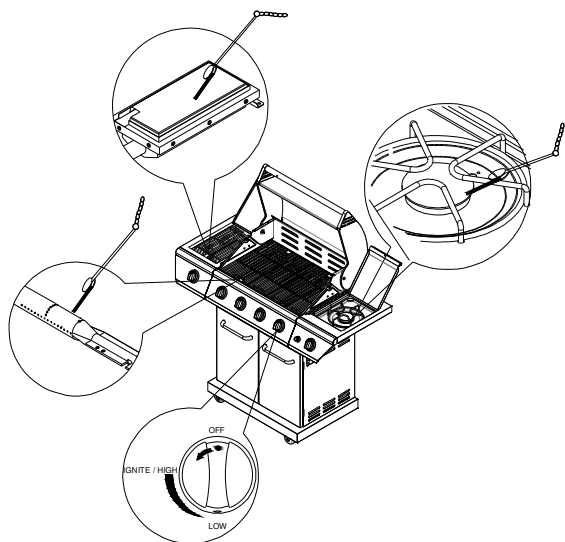


ADVERTENCIA

Nunca se incline sobre el área de cocción de la parrilla mientras encienda la parrilla de gas. Mantenga su rostro y su cuerpo a una distancia segura (como mínimo, 18 pulgadas) de la superficie de la rejilla de cocción cuando encienda la parrilla con un cerillo.

Encendido manual de la parrilla con un cerillo

1. Coloque un cerillo en la varilla de encendido manual.
2. Siga los pasos 1 a 9 del Procedimiento de Encendido Básico.
3. Encienda el cerillo y extienda la varilla de encendido hasta la superficie de la rejilla de cocción.
4. Gire la perilla de control que desee hasta la posición de máximo HIGH para liberar la salida del gas. El mechero debe encenderse de inmediato.



ADVERTENCIA

En caso de que ocurriera un “FOGONAZO” en o cerca de los tubos de los mecheros, siga las siguientes instrucciones. En caso de que estas instrucciones no se cumplieran, ello podría dar como resultado un incendio o una explosión que podría causar lesiones corporales graves, la muerte o daños a la propiedad.

- Cierre el suministro de gas de la parrilla.
- Gire las perillas de control a la posición de apagado (OFF).
- Apague cualquier tipo de llama con un extintor de incendios adecuado.
- Abra la tapa de la parrilla.
- Cuando la parrilla se haya enfriado, limpie los tubos del mechero y los mecheros según las instrucciones de limpieza que están en la página 47.

Si no se puede encender la parrilla

1. Verifique el suministro y las conexiones de gas para detectar fugas. Verifique que la totalidad de las conexiones de cables sean seguras.
2. Repita el procedimiento de encendido básico. Si todavía la parrilla no funciona, apague la fuente de gas, gire las perillas de control a la posición de apagado (OFF), y verifique lo siguiente:
 - Alineación errónea de los tubos de los mecheros sobre los orificios
Corrección: vuelva a posicionar los tubos de los mecheros sobre los orificios.
 - Orificio tapado
Corrección: quite los mecheros de la parrilla, con cuidado levante cada uno de los mecheros y aléjelos del orificio de la válvula de gas. Quite el orificio de la válvula de gas y con gentileza destape cualquier obstrucción con un alambre delgado. Luego vuelva a instalar todos los orificios, mecheros y componentes de cocción.
3. Si sospecha que existe una obstrucción en las válvulas de gas de los mecheros de la parrilla, llame para solicitar un servicio de reparación al 1-800-648-5864.
4. Si la parrilla aún no enciende, es posible que deba purgar el aire de la línea de gas o reajustar el dispositivo de flujo de gas en exceso del regulador de presión. **Nota:** Este procedimiento debe hacerse cada vez que se conecte un nuevo tanque de gas LP a la parrilla.

Para purgar el aire de la línea de gas y/o reajustar el dispositivo de flujo de gas en exceso del regulador de presión:

- Gire todas las perillas de control a la posición de apagado (OFF).
 - Cierre el paso del gas de la válvula del tanque.
 - Desconecte el regulador de presión del tanque de gas LP.
 - Deje a la unidad reposar durante 5 minutos.
 - Vuelva a conectar el regulador de presión al tanque de gas LP.
 - Encienda la válvula del tanque lentamente hasta abrirla entre $\frac{1}{4}$ y $\frac{1}{2}$.
 - Abra la tapa de la parrilla.
 - Presione y gire cualquiera de las perillas de control a la posición de máximo (HIGH).
 - Gire las perillas de control a la posición de máximo (HIGH) hasta que todos los mecheros estén encendidos.
 - Puede comenzar a usar la parrilla.
5. Si se han realizado todas las operaciones de verificación y corrección y aún tiene consultas sobre el funcionamiento de su parrilla a gas, llame al **Centro de Información sobre Parrillas al 1-800-648-5864**

Limpeza y mantenimiento

Para asegurarse de que la unidad funcione correctamente, se sugiere que se lleven a cabo las siguientes pautas de cuidado y mantenimiento apropiado.

Limpeza de las rejillas de cocción

Sugerimos que lave las rejillas de cocción con una solución hecha con jabón suave y agua tibia. Puede usar un paño de limpieza o un cepillo suave para limpiar las rejillas de cocción.

Limpeza de los difusores de calor

En forma periódica, debe lavar los difusores de calor con una solución hecha con jabón y agua tibia. Use un cepillo suave para sacar los residuos de cocción quemados rebeldes. Se deben secar los difusores de calor antes de que los vuelva a instalar.

Limpeza de la bandeja para grasa

La bandeja para grasa debe vaciarse, secarse en forma periódica y lavarse con una solución hecha con detergente suave y agua tibia. Se puede colocar una pequeña cantidad de arena o piedritas para gatos en la parte inferior de la bandeja para grasa a fin de que la absorba. Verifique con frecuencia la bandeja para grasa, no permita que se acumule exceso de grasa y que haya desbordes en dicha bandeja.

Limpeza anual del interior de la parrilla

Incinerar la parrilla luego de cada uso la mantendrá lista para la próxima vez que la use. Sin embargo, usted debe una vez al año limpiar la parrilla a fondo para mantenerla en excelentes condiciones de funcionamiento. Siga estos pasos.

1. Gire todas las válvulas de los mecheros a una total posición de apagado (OFF).
2. Gire la válvula del tanque de gas a una total posición de apagado (OFF).
3. Desprenda el ensamble de la manguera de gas LP y del regulador de presión de la parrilla a gas. Haga una inspección para detectar cualquier tipo de daño y reemplace piezas según sea necesario según el número de pieza de reemplazo del fabricante que se encuentra en el listado de piezas.
4. Quite y limpie los difusores de calor, las rejillas de cocción y los mecheros de la parrilla.
5. Cubra cada uno de los orificios de las válvulas de gas con lámina de aluminio.
6. Limpie con un cepillo de nylon el interior y la parte posterior de la parrilla y lávelos con una solución hecha con jabón suave y agua tibia. Enjuáguelas minuciosamente y déjelas secar.
7. Quite las láminas de aluminio, vuelva a instalar los difusores de calor y las rejillas de cocción.
8. Vuelva a conectar la fuente de gas y observe la llama del mechero para ver si funciona correctamente.

Limpeza de las superficies externas

Sugerimos que lave la parrilla con una solución hecha con jabón suave y agua tibia. Puede usar para este procedimiento un paño de limpieza o una esponja. No use productos abrasivos o un cepillo que pueda levantar el acabado durante el proceso de limpieza.

Limpeza de las superficies externas de acero inoxidable

Las inclemencias del clima y el calor intenso pueden provocar que las superficies de acero inoxidable se pongan de un color canela. El aceite de máquina que se usa en el proceso de fabricación también puede causar este color canela. Utilice un limpiador para acero inoxidable para pulir las superficies de este material de su parrilla. Nunca utilice limpiadores abrasivos o estropajos porque rayarán y dañarán la parrilla.

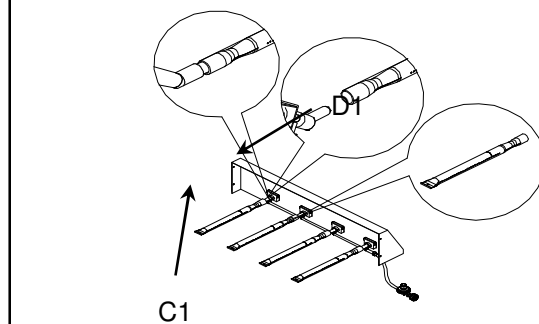
Limpeza de los tubos y los puertos de los mecheros

Para reducir la posibilidad de "FOGONAZO", se debe cumplimentar el siguiente procedimiento por lo menos una vez al mes hacia fines del verano o a principios del otoño cuando las arañas tienen mayor actividad o cuando no haya utilizado la parrilla por un periodo prolongado.

1. Gire todas las válvulas de los mecheros y la válvula del tanque de gas a una posición de apagado.
2. Desprenda el ensamble del regulador de presión de gas LP de la parrilla a gas.
3. Quite las rejillas de cocción, los difusores de calor y la bandeja para grasa de la parrilla.
4. Quite los tornillos del lateral inferior de cada mechero, levante y aleje los mecheros del orificio de la válvula de gas.
5. Con un alambre curvo resistente en forma de anzuelo, una manguera de aire comprimido o un cepillo cilíndrico, limpie por el tubo del mechero y en el interior del mismo varias veces para sacar todo tipo de residuo.
6. Vuelva a colocar los mecheros. Observe la siguiente ilustración.
Paso 1. Quite los tornillos que aseguran el cable de encendido.
Paso 2. Quite el clip R que fija el mechero en el lateral del extremo.
Paso 3. Ubique el nuevo mechero en el orificio.
(a) Inserte el mechero sobre la válvula de gas del mechero principal.
(b) Asegúrese de que el pasador del orificio (C1) se encuentre dentro del difusor del mechero (D1) tal como se muestra en Fig.35.
Paso 4. Asegure el mechero principal en la pared trasera usando el clip R y asegure el cable de encendido.



Fig.35





ADVERTENCIA

La ubicación del tubo del mechero con respecto al orificio es fundamental para un funcionamiento sin riesgos. Verifique para asegurarse de que el orificio se encuentra adentro del tubo del mechero antes de usar la parrilla de gas. Si el tubo del mechero no encaja sobre el orificio de la válvula, al encenderse el mechero se puede provocar una explosión y/o incendio.

2. Limpie los puertos obstruidos con un alambre resistente, como un clip para papel abierto.
3. Haga una inspección de cada mechero para detectar daños (rajaduras u hoyos) y en caso de que encuentre tal daño, solicite e instale un nuevo mechero. Luego de la instalación, verifique con el fin de asegurarse que los orificios de la válvula de gas se encuentran correctamente colocados en los extremos de los tubos de gas.

Independientemente de qué procedimiento de limpieza emplee, le recomendamos también realizar los siguientes pasos para ayudar a prolongar la utilidad del mechero.

1. Use una almohadilla de fibra o un cepillo de nylon para limpiar toda la superficie externa de cada uno de los mecheros hasta que no tengan residuos de comida ni suciedad.



ADVERTENCIA

Los insectos y las arañas pueden hacer nidos dentro de los mecheros de la parrilla e interrumpir el flujo de gas. Esta situación extremadamente peligrosa podría causar que se prenda fuego detrás del panel de la válvula, por lo que dañaría la parrilla y haría insegura su operación. Inspeccione la parrilla al menos dos veces por año.

Localización y resolución de problemas

ANTES DE LLAMAR AL SERVICIO

Si la parrilla no funciona adecuadamente, emplee la siguiente lista de verificación antes de llamar para solicitar servicios.

Debe inspeccionar los mecheros una vez al año o inmediatamente después de que ocurra cualquiera de las siguientes situaciones:

PROBLEMAS	SOLUCIÓN
La parrilla no se encenderá cuando la perilla de control esté girada.	<p>Verifique si el tanque LP está vacío.</p> <p>Limpie los cables y/o el electrodo frotando con un algodón limpio con alcohol.</p> <p>Limpie con un trapo seco.</p> <p>Asegúrese de que el cable esté conectado al ensamble del electrodo.</p> <p>Verifique si funcionan otros mecheros. En ese caso, inspeccione el orificio de gas en el mechero no funciona para verificar si hay alguna obstrucción.</p>
La llama del mechero es amarilla o anaranjada, en combinación con el olor a gas.	<p>Consulte "Limpieza de los Tubos del Mechero y Puertos del Quemador" en la página 47. Si los problemas persisten, llame al 1-800-648-5864</p>
Llama baja con la perilla en la posición máxima (HIGH).	<ol style="list-style-type: none"> 1. Asegúrese de que el problema esté aislado solo a un quemador. Si es así, limpie el orificio y el quemador, y remueva cualquier obstrucción del orificio . 2. Verifique si hay una manguera de combustible enroscada o doblada. 3. Asegúrese de que el obturador de aire esté ajustado correctamente. 4. Verifique si la presión y el suministro de gas son correctos. 5. Precaliente la parrilla durante 15 minutos . 6. Si está utilizando gas LP, verifique que el tanque no esté vacío.

Instrucciones de cocción



ADVERTENCIA

No deje la parrilla sin prestarle atención. Su parrilla llegará a tener una temperatura muy elevada. Nunca se incline sobre el área de cocción mientras use la parrilla. No toque las superficies de cocción ni la carcasa de la parrilla. Tampoco toque la tapa de la parrilla ni otras partes de la misma mientras la parrilla esté en funcionamiento o hasta que la parrilla se haya enfriado luego de su uso. El incumplimiento de estas instrucciones puede dar como resultado lesiones corporales graves.



ADVERTENCIA

No cubra la parte posterior de la carcasa de la parrilla con láminas de aluminio, arena o cualquier otra sustancia que limite el paso del flujo de grasa hacia la bandeja para grasa. En caso de que estas instrucciones no se cumplieran, ello podría dar como resultado un incendio o una explosión que podría causar lesiones corporales graves, la muerte o daños a la propiedad.

Incineración

Antes de cocinar en su parrilla de gas por primera vez, usted deberá "incinerarla" par eliminar cualquier tipo de olor o material extraño. Encienda los mecheros, baje la tapa y ponga en funcionamiento la parrilla en una posición de máximo (HIGH) entre 3 y 5 minutos.

Temperaturas de cocción

Posición máxima: Use esta posición únicamente para calentar rápidamente, marcar los filetes o chuletas y para quemar residuos de comida de la parrilla luego de terminar de cocinar. **Nunca** use la posición máxima (HIGH) para cocciones prolongadas.

Posiciones media y baja: La mayoría de las recetas especifican uso de llama media a baja, incluso para ahumar, asar y cocinar cortes magro como el pescado.

NOTA: Las posiciones de la temperatura variarán con la temperatura y el nivel de viento que haya en el exterior de su casa.

Cocción directa

El método de cocción directa puede utilizarse con las rejillas de cocción que acompañan el producto y los alimentos se colocan directamente sobre los mecheros de la parrilla encendidos. Este método es ideal para marcar los alimentos y siempre que desee comer carne vacuna, pollo o pescado que tenga un sabor a asado hecho con llama abierta. El freído en profundidad y el proceso de ahumado se preparan mejor de esta manera porque necesitan calor directo.

Cocción indirecta

Para cocinar de forma indirecta, los alimentos deben colocarse en el lateral derecho o izquierdo de la parrilla con el mechero del lado opuesto encendido.

Llamarada

Las grasas y los jugos que caen de la comida asada pueden causar llamaradas. Dado que las llamaradas imparten un sabor y color favorablemente distintivo a la comida que se cocina con llama abierta, deben tolerarse hasta cierto punto. No obstante, las llamaradas sin controlar pueden dar como resultado en que la comida se eche a perder.

Tabla de cocción en la parrilla

Advertencia: Para asegurarse de que lo que se prepara para comer no conlleve riesgos, los alimentos deben cocinarse a un mínimo de temperatura interna que se detalla en la tabla siguiente.

Alimentos	Temperatura
Carne vacuna, ternera y cordero (pedazos y cortes enteros) – Cocción mediana - vuelta y vuelta	63 C (145 F)
Carne vacuna, ternera y cordero (pedazos y cortes enteros) – Cocción mediana	71 C (160 F)
Carne vacuna, ternera y cordero (pedazos y cortes enteros) – Bien cocido	77 C (170 F)
Cerdo (pedazos o cortes enteros)	71 C (160 F)
Aves (Ej. pollo, pavo, pato) - pedazos	74 C (165 F)
Aves – enteras	85 C (185 F)
Carne molida y mezclas de carne (Ej. hamburguesas, salchichas, albóndigas, pan de carne, guisos) – carne vacuna, ternera, cordero y cerdo	71 C (160 F)
Carne molida y mezclas de carne – aves	74 C (165 F)
Platos con huevos	74 C (165 F)
Otras (perros calientes, rellenos y sobras)	74 C (165 F)

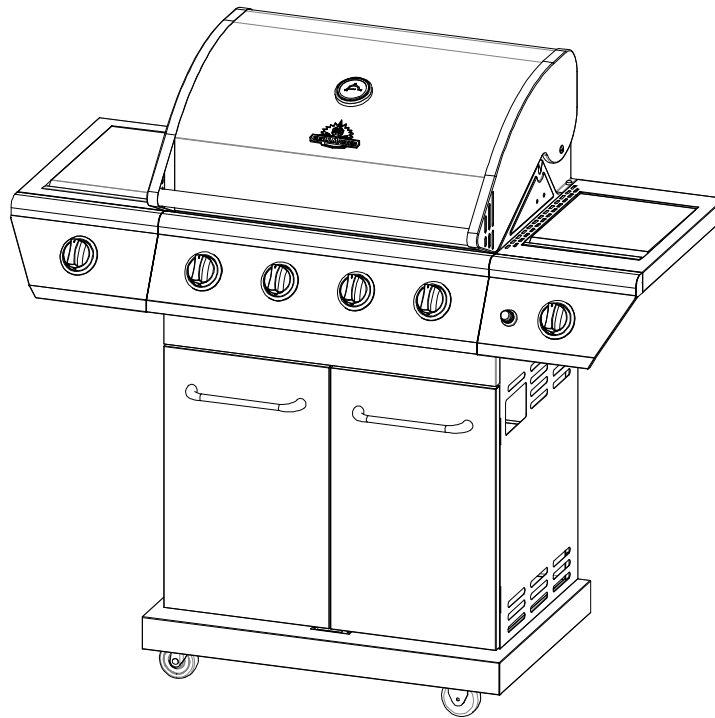
De: La Agencia canadiense de inspección de alimentos

Alimentos	Peso o espesor	Temperatura	Tiempo	Instrucciones y consejos específicos
Verduras	NA	Media	8 a 20 min	Corte las verduras y agregue un poco de manteca o margarina. Envuelva en papel aluminio resistente y cocine a la parrilla dando vueltas las verduras de vez en cuando.
Papas	Enteras	Media	40 a 60 min	Envuelva por separado en papel aluminio resistente. Cocine dando vueltas las papas de vez en cuando.
Carne/bife	1/2 a 3/4 pulg	Alta-Media	4 a 15 min	Precocine a la parrilla durante 15-20 min luego dore el bife en los costados durante dos min. Cocine a la parrilla 3 a 5 min en cada lado o hasta obtener la cocción deseada.
Carne picada	1/2 a 3/4 pulg	Media	8 a 15 min	Cocine a la parrilla dando vuelta la carne picada cuando los jugos se suben a la superficie o hasta obtener la cocción deseada. No descuide las hamburguesas en la parrilla ya que se puede producir una llamarada en forma rápida.
Costillas	1/2 o costillas completo	Media	20 a 40 min	Cocine a la parrilla dando vuelta la costilla de vez en cuando. Durante los últimos minutos agruegue una salsa y de vuelta la costilla varias veces.
Perros calientes	NA	Media	5 a 10 min	Cocine a la parrilla dando vueltas los perros cuatro veces. 2-4 min de cada lado.
Corte de aves	1/4 a 1/2 libras	Baja o Media	20 a 40 min	Cocine a la parrilla dando vueltas el corte algunas veces. Durante los últimos minutos sazone con una salsa si lo desea y de vuelta el corte varias veces.
Ave entera	2 a 3 libras	Baja	1 a 1-1/2 hora	Use un soporte para asar pollo y cocine a la parrilla hasta obtener la cocción deseada.
		Media	40 a 60 min	Use un soporte para asar pollo y cocine a la parrilla hasta obtener la cocción deseada.
Pescado	3/4 a 1 pulg	Media	8 a 15 min	Cocine a la parrilla dando vueltas el pescado una vez hasta obtener la cocción deseada. Coloque manteca derretida, margarina o aceite.



GRIL AU GAZ DE PROPANE LIQUIDE (page 51-75)

MODÈLE # 720-0783



! AVERTISSEMENT

Pour réduire le risque d'incendie, de danger de brûlure ou tout autre type de blessure, veuillez lire le manuel soigneusement et entièrement avant d'utiliser le gril.

! AVERTISSEMENT

Ne pas installer le gril dans ou sur des véhicules récréatifs ou des bateaux.

! AVERTISSEMENT

POUR UTILISATION A
L'EXTÉRIEUR UNIQUEMENT.



N version 19000373A2

Note destinée à l'utilisateur

Rangez ce manuel de l'utilisateur dans un endroit pratique pour une consultation future.

Exemple uniquement : N° SÉRIE _____ DATE FABRICATION _____
DATE D'ACHAT : _____



Questions, problèmes, pièces manquantes ? Avant de ramener le gril à votre revendeur, appelez notre service clientèle au +1-800-648-5864, entre 8h00 et 17h00, heure de l'Est, du lundi au vendredi. Visitez notre site Web à l'adresse suivante: www.grillmasterbbqs.com

Table des matières

Garantie-----	52
Précautions-----	52-54
Liste du contenu de l'emballage-----	55-56
Contenu du paquet de quincaillerie-----	57
Préparatifs-----	57
Vue éclatée-----	58
Liste des pièces-----	59
Consignes pour l'assemblage-----	60-69
Consignes pour l'allumage-----	70
Nettoyage et entretien -----	71-72
Dépannage-----	73
Consignes pour la cuisson-----	74
Aide-mémoire pour la cuisson-----	75

Garantie pour le grill

Garantie limitée de un an sur les pièces en acier inoxydable et les autres pièces.

Si ce grill cesse de fonctionner à cause d'un défaut de matériaux ou de fabrication moins d'un an après l'achat, appelez le 1-800-648-5864 pour une réparation gratuite (ou un remplacement si la réparation s'avère impossible).

Pendant cinq ans après la date d'achat, tout brûleur en acier inoxydable qui rouille sera remplacé gratuitement. Après la première année à compter de la date d'achat, vous devrez payer le coût de la main-d'œuvre si vous désirez le faire installer.

Toute couverture sous la garantie exclut les piles du dispositif d'allumage ainsi que l'écaillage de la peinture, la décoloration et la corrosion des pièces du grill, dans la mesure où ces éléments sont des pièces consommables s'usant normalement pendant la période de garantie ou dans des conditions pouvant résulter d'un usage normal, d'un accident ou d'un mauvais entretien.

Toute couverture sous la présente garantie est annulée si ce grill a été utilisé pour un usage commercial ou de location.

Toute couverture sous la présente garantie ne s'applique que si ce grill est utilisé au Canada.

GrillMaster^{MD} logo est une marque déposée de commerce de Sunbeam Products, Inc. utilisée sous licence.

Précautions



AVERTISSEMENT

La non-conformité aux présentes consignes peut déclencher un incendie ou une explosion qui sont susceptibles d'entraîner des lésions corporelles graves voire la mort ou des dommages matériels.



AVERTISSEMENT

Votre grill deviendra très chaud. Ne vous penchez jamais au-dessus de l'aire de cuisson pendant l'utilisation de votre grill. Ne touchez pas aux surfaces de cuisson, au boîtier du grill, au couvercle ou à toute autre pièce pendant l'utilisation du grill et tant qu'il n'a pas refroidi après l'usage.

Le non-respect de ces consignes peut entraîner des lésions corporelles graves.



AVERTISSEMENT

1. **Ne pas entreposer ou utiliser de l'essence ou tout autre liquide ou vapeur inflammable près de cet appareil ou de tout autre appareil.**
2. **Une bouteille de gaz propane liquide qui n'est pas branchée pour utilisation ne doit pas être entreposée près de cet appareil ou de tout autre appareil.**



DANGER

Si vous sentez une odeur de gaz :

1. **Coupez l'alimentation du gaz à l'appareil.**
2. **Éteignez toute flamme nue.**
3. **Soulevez le couvercle.**
4. **Si l'odeur persiste, tenez-vous à l'écart de l'appareil et contactez immédiatement votre fournisseur de gaz ou le service des pompiers.**

Codes d'installation du grill

L'installation doit être conforme aux codes locaux ou, en l'absence de ces derniers, à l'un des codes suivants : code national de gaz de combustion ANSI Z 223.1/NFPA S4, code d'installation de gaz naturel et de propane CSA B149.1 ou code d'entreposage et de manutention de propane B149.2 ou aux normes pour caravanes ANSI A 119.2, et code pour caravanes de la série CSA Z240 RV, selon le cas.

Les modèles de grill au propane liquide sont destinés à être utilisés avec un réservoir de propane liquide standard 9 kg (20 lb), non compris avec le grill. Ne branchez jamais votre grill à gaz à un réservoir de propane liquide dépassant cette capacité.

Précautions

La capacité maximale du réservoir de propane liquide qui peut être utilisé est d'environ 30 cm de diamètre sur une hauteur de 47 cm.

Vous devez utiliser un réservoir de gaz OPD muni d'un dispositif anti-débordement.

Ce dispositif de sécurité empêche un remplissage excessif du réservoir qui pourrait entraîner le dysfonctionnement du réservoir de gaz PL, du régulateur de pression et/ou du gril.

Le réservoir de GPL doit être construit et marqué selon les spécifications du Département des transports des États-Unis (DOT). Au Canada, le réservoir de GPL doit être conforme à la Norme nationale du Canada, CAN/CSA-B339, bouteilles et tubes utilisés pour le transport et la mise en service des marchandises dangereuses.

1. Le réservoir de PL doit être muni d'un robinet d'arrêt qui mène à un tuyau de sortie d'alimentation de PL compatible avec un dispositif de raccord de réservoir de type 1. Le réservoir de PL doit également être muni d'un opercule de sécurité ayant un lien direct avec l'espace de vapeur du réservoir.
2. Le système d'alimentation du réservoir doit être arrangé de manière à permettre le retrait de vapeur.
3. Le réservoir de PL utilisé doit être muni d'un collier pour protéger la valve du réservoir.

Emplacement et espace appropriés du gril

Ne jamais utiliser votre gril à gaz dans un garage, sur un patio, dans une remise, dans un passage recouvert ou dans tout autre endroit fermé. Votre gril à gaz doit être utilisé à **l'extérieur seulement**, à une distance d'au moins 60 cm de toute surface combustible tant vers l'arrière que sur les côtés. Votre gril à gaz doit ne doit pas être utilisé en dessous d'éléments de construction combustibles. Ne bloquez pas le courant de ventilation autour du boîtier du gril à gaz.

- N'installez pas ce gril à gaz extérieur sur ou dans des véhicules récréatifs ou des bateaux.
- Gardez la zone de grillage extérieure libre de tout matériau combustible, essence et autres vapeurs et liquides inflammables.
- Ne pas bloquer le courant de combustion et de ventilation. Vérifiez le courant avant chaque utilisation du gril.
- **Ne jamais** brancher un réservoir de GPL non réglementé à votre gril à gaz. Le régulateur de pression de gaz fourni avec votre gril à gaz a été ajusté à une pression de sortie de 28 cm de colonne d'eau (C.E.) pour la connexion à un réservoir de GPL.
- Utilisez seulement l'ensemble tuyau et régulateur de pression fourni avec votre gril à gaz. Tous les ensembles tuyaux et régulateurs de pression de remplacement doivent correspondre à ceux spécifiés dans le présent manuel.
- Faites remplir votre bouteille de PL par un fournisseur de gaz de propane fiable et exigez une inspection visuelle et une requalification lors de chaque remplissage.

- Ne rangez aucun réservoir de GPL de recharge sous ou près de cet appareil.
- Ne remplissez jamais le réservoir à plus de 80 pour cent de sa capacité. Si ces consignes ne sont pas suivies à la lettre, un incendie peut se produire et entraîner des lésions corporelles graves voire la mort.
- Maintenez toujours les réservoirs de GPL en position verticale.
- Vous ne devez ni entreposer ni utiliser de l'essence ou d'autres liquides ou vapeurs inflammables à proximité de cet appareil.
- N'exposez pas le réservoir de GPL à une chaleur excessive.
- N'entreposez pas un réservoir de GPL à l'intérieur. Si vous entreposez votre gril à gaz dans le garage ou dans un autre emplacement à l'intérieur, **toujours** débrancher le réservoir de GPL et le ranger à l'extérieur de manière sécurisée.



Maintenez toujours la bouteille de gaz PL à un angle de 90° position verticale pour permettre le dégagement des vapeurs.

- Placez le bouchon anti-poussière sur la sortie du robinet de la bouteille en tout temps lorsque vous n'utilisez pas la bouteille. N'installez que le type de bouchon anti-poussière qui est fourni avec le robinet de la bouteille. Les autres types de bouchons peuvent entraîner des fuites du propane.
- Les réservoirs de GPL doivent être entreposés à l'extérieur dans des zones bien ventilées et hors de la portée des enfants. Les réservoirs de PL non branchés ne doivent pas être entreposés dans un bâtiment, un garage ou tout autre emplacement fermé.
- Lorsque vous n'utilisez pas le gril à gaz, vous devez éteindre le gaz à partir du réservoir de GPL.
- L'ensemble tuyau et régulateur de pression doit être inspecté avant chaque utilisation du gril. En cas d'abrasion ou d'usure excessives ou si le tuyau est coupé, vous devez remplacer le tuyau avant de réutiliser le gril.
- Tenez le tuyau du régulateur de pression de gaz éloigné des surfaces chaudes du gril et d'égouttements de graisse. Ne tordez pas le tuyau inutilement. Faites une inspection visuelle du tuyau avant chaque utilisation pour déceler les coupures, les fentes, une usure excessive ou tout autre dégât. N'utilisez pas le gril à gaz si le tuyau semble avoir subi des dommages. Appelez le 1-800-648-5864 pour obtenir un tuyau de remplacement.
- **Ne jamais** allumer le gril à gaz lorsque le couvercle est fermé ou avant d'avoir vérifié que les tuyaux de brûleurs sont entièrement installés sur les orifices de soupape de gaz.
- **Ne jamais** permettre à des enfants de se servir du gril.



AVERTISSEMENT

Une odeur forte de gaz ou un sifflement indique un problème sérieux de votre gril à gaz ou du réservoir de PL. Les consignes qui suivent doivent être suivies immédiatement, sans quoi un incendie ou une explosion peuvent se produire et entraîner des lésions corporelles graves voire la mort ou des dommages matériels.

- Coupez l'alimentation du gaz au gril.
- Tournez les boutons à la position OFF.
- Éteignez toute flamme avec un extincteur.
- Soulevez le couvercle du gril.
- Éloignez-vous du réservoir de GPL.
- N'essayez pas de réparer vous-même le problème.
- Si l'odeur persiste ou si vous n'êtes pas capable d'éteindre le feu, téléphonez au service d'incendie. Ne passez pas d'appel à proximité du réservoir de GPL dans la mesure où votre téléphone est un type d'appareil électrique pouvant émettre une étincelle provoquant un incendie ou une explosion.

REMARQUE : l'écoulement normal des gaz à travers l'ensemble tuyau et régulateur de pression peut engendrer un bourdonnement. À faible volume, ce bruit est tout à fait normal et n'affecte pas le fonctionnement du gril. Par contre, si le bourdonnement est bruyant et excessif, il peut s'avérer nécessaire de purger l'air du conduit de gaz ou de réenclencher le dispositif d'écoulement de gaz du régulateur de pression. Cette purge devrait être effectuée à chaque fois qu'un nouveau réservoir de gaz PL est branché à votre gril. Pour toute aide concernant ce procédé, consultez la page 70 au point 4, «Si le Gril ne S'allume Toujours Pas», ou appelez le Centre d'information sur les grils au +1-800-648-5864.

MISE EN GARDE : Attention au retour de flamme

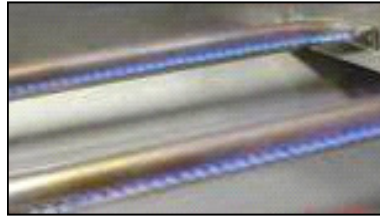
MISE EN GARDE : les araignées et les petits insectes tissent parfois des toiles ou font des nids dans les tuyaux de brûleurs pendant le transport et l'entreposage. Bloquant l'écoulement du gaz, ces toiles peuvent être la cause d'un incendie à l'intérieur et autour des tuyaux de brûleurs. Ce type d'incendie, connu sous le nom de «RETOUR DE FLAMME», peut provoquer de graves dégâts dans votre gril et affecter les conditions de fonctionnement qui deviennent dangereuses pour l'utilisateur.

Bien qu'un tuyau de brûleur bloqué ne soit pas la seule cause de ces «RETOURS DE FLAMME», il s'agit néanmoins de la cause la plus commune.

Pour réduire le risque de «RETOURS DE FLAMME», vous devez nettoyer les tuyaux de brûleurs avant de monter votre gril et au moins une fois par mois à la fin de l'été et au début de l'automne lorsque les araignées sont particulièrement actives. Nettoyez également les tuyaux de brûleurs si votre gril n'a pas servi pendant une longue période.

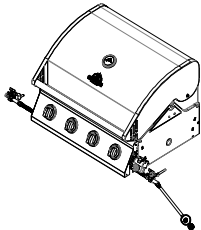
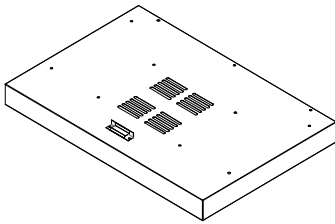
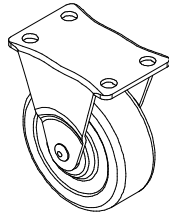
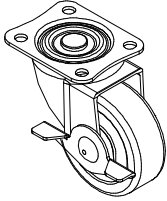
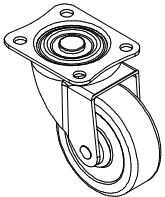
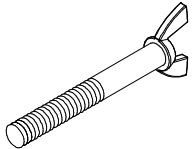
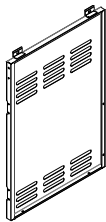
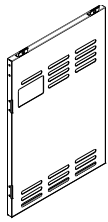
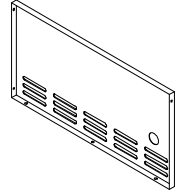
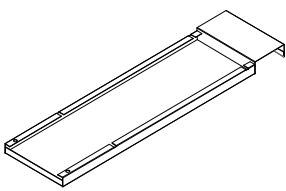
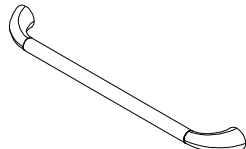
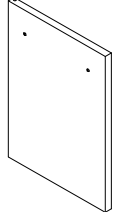
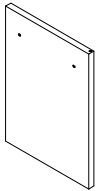
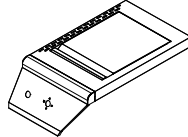
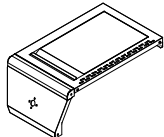
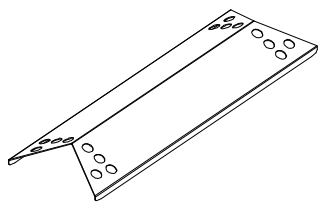
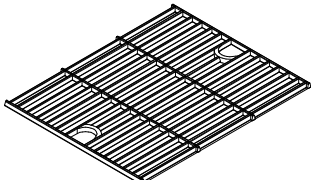
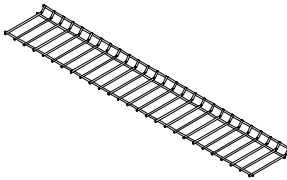
Voir Nettoyage des tuyaux et orifices de brûleurs à la page 72.

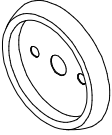
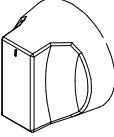

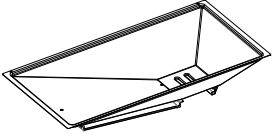
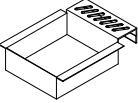

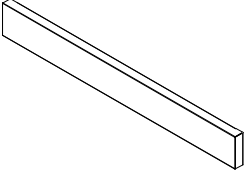
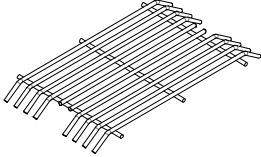
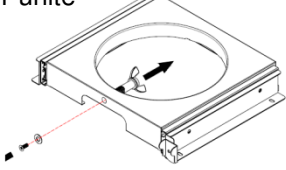
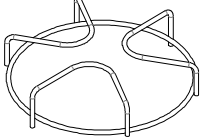
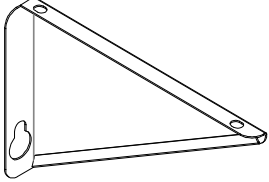
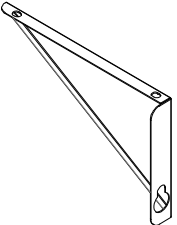
Vérification des flammes de brûleurs



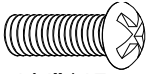
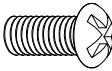
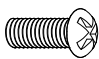



Vérifiez la flamme des brûleurs avant chaque utilisation. Les flammes devraient être semblables à l'illustration. Si ce n'est pas le cas, consultez la section sur le nettoyage des tuyaux et orifices de brûleurs à la page 72 de ce manuel.

Liste Du Contenu De L'emballage

<p>A. Chambre de cuisson --- 1 unité</p> 	<p>B. Panneau inférieur --- 1 unité</p> 	<p>C. Roulette --- 2 unités</p> 
<p>D. Roulette pivotante avec frein --- 1 unité</p> 	<p>E. Roulette pivotante --- 1 unité</p> 	<p>F. Boulon du plateau de réservoir --- 1 unité</p> 
<p>G. Panneau latéral, gauche --- 1 unité</p> 	<p>H. Panneau latéral, droite --- 1 unité</p> 	<p>I. Panneau arrière --- 1 unité</p> 
<p>J. Plateau à graisse du brûleur latéral à flamber --- 1 unité</p> 	<p>K. Poignée de porte --- 2 unités</p> 	<p>L. Porte, gauche --- 1 unité</p> 
<p>M. Porte, droite --- 1 unité</p> 	<p>N. Cadre d'assemblage du bol de brûleur latéral standard avec panneau de commande du brûleur latéral --- 1 unité</p> 	<p>O. Brûleur latéral à flamber gauche avec panneau avant de l'étagère latérale --- 1 unité</p> 
<p>P. Diffuseur de chaleur --- 4 unités</p> 	<p>R. Grille de cuisson --- 2 unités</p> 	<p>S. Grille chauffante --- 1 unité</p> 

<p>T. Collerette --- 2 unités</p> 	<p>U. Bouton de commande --- 2 unités</p> 	<p>V. Pile alcaline AA --- 1 unité</p> 
<p>W. Plateau à graisse --- 1 unité</p> 	<p>X. Réceptacle à graisse --- 1 unité</p> 	<p>Y. Bâtonnet d'allumage manuel --- 1 unité</p> 
<p>Z. Cadre du chariot --- 1 unité</p> 	<p>A1. Grille de cuisson du brûleur latéral à flamber --- 1 unité</p> 	<p>B1. Plateau de réservoir de gaz --- 1 unité</p> 
<p>C1. Grille de cuisson du brûleur standard --- 1 unité</p> 	<p>D1. Support triangulaire, droit --- 1 unité</p> 	<p>E1. Support triangulaire, gauche --- 1 unité</p> 

Contenu du paquet de quincaillerie

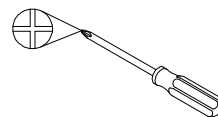
Réf.	Description	Spécification	Quantité
AA	Vis cruciforme 	1/4 po x 15 mm	24 unités.
BB	Vis cruciforme 	1/4 po x 10 mm	4 unités.
CC	Vis cruciforme 	5/32 po x 8 mm	27 unités.
DD	Vis à tête plate 	5/32 po x 8 mm	8 unités.
EE	Rondelle de blocage 	1/4 po	20 unités.
FF	Rondelle de blocage 	5/32 po	11 unités.

Préparatifs

Assurez-vous que toutes les pièces sont présentes avant de commencer l'assemblage. Comparez les pièces avec la liste du contenu de l'emballage et le schéma ci-dessus. S'il manque une pièce ou si une pièce est endommagée, n'assemblez pas le produit. Contactez le service à la clientèle pour obtenir des pièces de remplacement.

•Outils pour l'assemblage:

Tournevis à pointe cruciforme (non compris) et clé (non comprise).



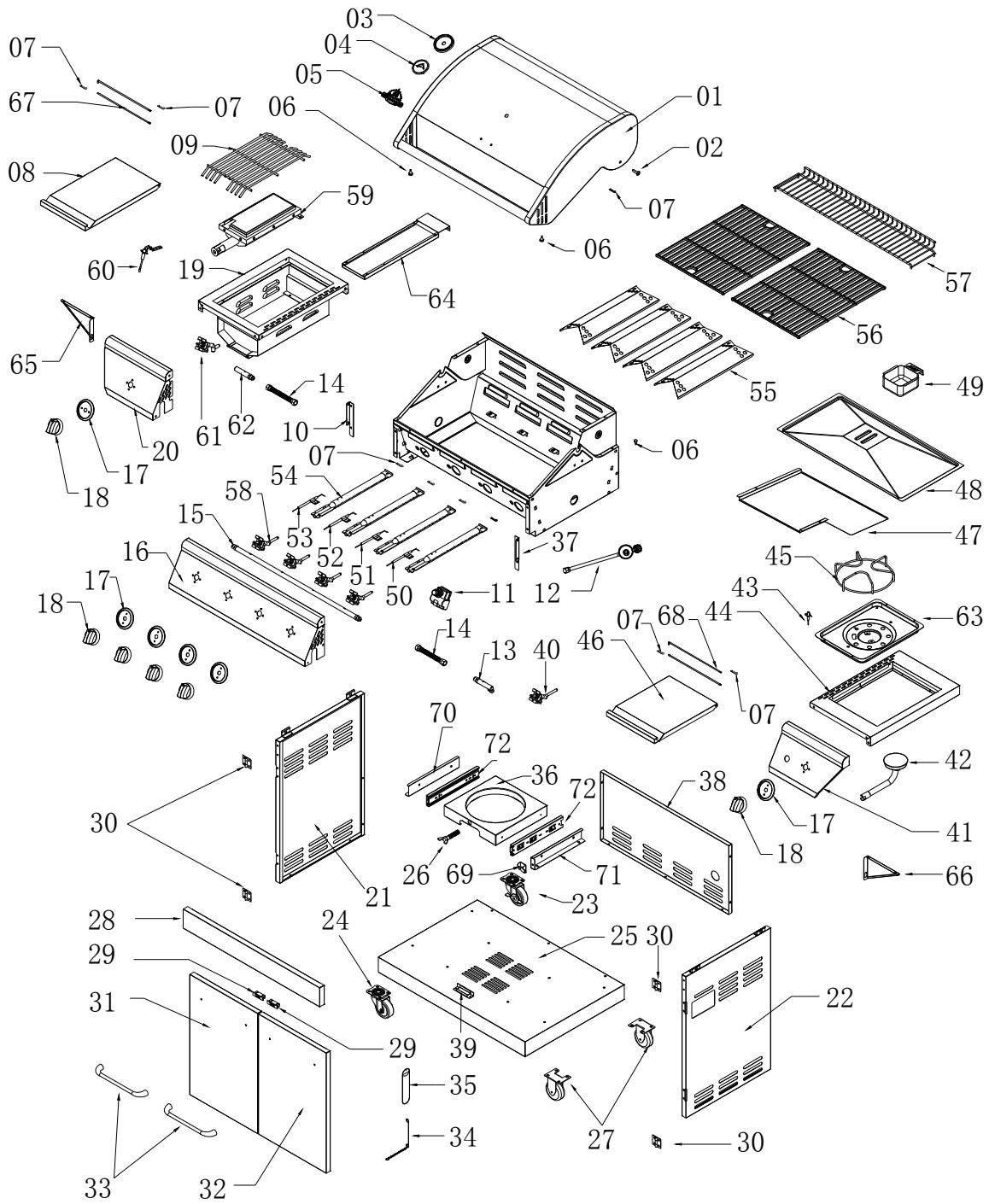
Tournevis à pointe cruciforme



Clé hexagonale

•Remarque : lorsque vous faites face au grill, les côtés de gauche et de droite du grill sont à votre gauche et votre droite.

Vue éclatée



Liste des pièces

N°	PIÈCES	DESCRIPTION	QUANTITÉ	N°	PIÈCES	DESCRIPTION	QUANTITÉ
1	0783-001	Couvercle principal	1	39	0783-039	Bride en L	1
2	0783-002	Vis du couvercle principal	2	40	0783-040	Valve de gaz du brûleur latéral	1
3	0783-003	Boîtier de l'indicateur de température	1	41	0783-041	Panneau avant de l'étagère latérale, droite	1
4	0783-004	Indicateur de température	1	42	0783-042	Assemblage du tuyau de brûleur latéral	1
5	0783-005	Logo	1	43	0783-043	Fil d'allumage du brûleur latéral	1
6	0783-006	Amortisseur de la hotte	4	44	0783-044	Étagère du brûleur latéral	1
7	0783-007	R en forme de pince	10	45	0783-045	Grille de cuisson du brûleur latéral	1
8	0783-008	Couvercle du brûleur à flamber	1	46	0783-046	Couvercle du brûleur latéral	1
9	0783-009	Grille de cuisson du brûleur à flamber	1	47	0783-047	Protecteur thermique du réservoir de gaz	1
10	0783-010	Support du panneau de commande, gauche	1	48	0783-048	Plateau à graisse	1
11	0783-011	Module pour allumage à impulsions	1	49	0783-049	Réceptacle à graisse	1
12	0783-012	Régulateur, PL	1	50	0783-050	Fil d'allumage du brûleur principal A	1
13	0783-013	Collecteur brûleur latéral	1	51	0783-051	Fil d'allumage du brûleur principal B	1
14	0783-014	Tuyau de gaz flexible du brûleur latéral	1	52	0783-052	Fil d'allumage du brûleur principal C	1
15	0783-015	Collecteur principal	1	53	0783-053	Fil d'allumage du brûleur principal D	1
16	0783-016	Panneau de commande principal	1	54	0783-054	Brûleur principal	4
17	0783-017	Collerette	6	55	0783-055	Dispositif de contrôle des flammes	4
18	0783-018	Bouton de commande	6	56	0783-056	Grille de cuisson avec trou	2
19	0783-019	Assemblage du bol de brûleur à flamber	1	57	0783-057	Grille chauffante	1
20	0783-020	Panneau avant de l'étagère latérale, gauche	1	58	0783-058	Valve de gaz du brûleur principale	4
21	0783-021	Panneau latéral, gauche	1	59	0783-059	Brûleur à flamber	1
22	0783-022	Panneau latéral, droite	1	60	0783-060	Fil d'allumage du brûleur à flamber	1
23	0783-023	Roulette pivotante avec frein	1	61	0783-061	Valve de gaz du brûleur à flamber	1
24	0783-024	Roulette pivotante	1	62	0783-062	Collecteur du brûleur à flamber	1
25	0783-025	Panneau inférieur, PL	1	63	0783-063	Assemblage du bol de brûleur latéral	1
26	0783-026	Boulon du plateau de réservoir	1	64	0783-064	Plateau de graisse du brûleur à flamber	1
27	0783-027	Roulette	2	65	0783-065	Support de l'étagère latérale, gauche	1
28	0783-028	Cadre du chariot, avant	1	66	0783-066	Support de l'étagère latérale, droite	1
29	0783-029	Aimant de porte	2	67	0783-067	Bâtonnet charnière couvercle du brûleur latéral, gauche	2
30	0783-030	Charnière de porte	4	68	0783-068	Bâtonnet charnière couvercle du brûleur latéral, droit	2
31	0783-031	Porte avant, gauche	1	69	0783-069	Plaque du bloc coulissant du plateau du réservoir	1
32	0783-032	Porte avant, droite	1	70	0783-070	Support du plateau du réservoir A	1
33	0783-033	Poignée de porte	2	71	0783-071	Support du plateau du réservoir B	1
34	0783-034	Bâtonnet d'allumage	1	72	0783-072	Glissière	2
35	0783-035	Enveloppe de bâtonnet d'allumage	1				
36	0783-036	Plateau du réservoir	1				
37	0783-037	Support de panneau de commande, droit	1				
38	0783-038	Panneau arrière	1				

Après avoir déballé le gril, s'il manque des pièces ou si des pièces sont endommagées, appelez le 1-800-648-5864 pour obtenir des pièces de remplacement.

Pour commander des pièces de remplacement après utilisation du gril, appelez le 1-800-648-5864.

Important: utilisez seulement les pièces dans la liste ci-dessus. Lorsque vous passez une commande pour des pièces, fournissez les renseignements suivants :

- N° du modèle
- N° de série (se trouve à l'intérieur du panneau avant de votre gril)
- N° de pièce (voir le tableau)
- Description de pièce
- Quantité de pièces requises

Consignes pour l'assemblage

MISE EN GARDE: bien qu'il soit possible d'assembler seul ce gril, demander l'assistance d'une seconde personne pour la manutention des pièces les plus grosses et plus lourdes.

Remarque : assurez-vous de retirer le plateau à graisse en le faisant glisser hors de l'arrière du capot du gril et d'enlever tout le matériel d'emballage qui se trouve sur le plateau.

1. Servez-vous de la liste des pièces pour vérifier que toutes les pièces sont bien incluses.
2. Lors de l'assemblage du gril, inspectez le gril afin de détecter tout dommage. N'assemblez pas et ne faites pas fonctionner le gril s'il semble être endommagé. Si, lors de l'ouverture de l'emballage d'expédition, vous remarquez des pièces endommagées ou manquantes ou si vous avez des questions pendant l'assemblage, appelez le +1-800-648-5864.

Pour toute question sur l'assemblage, appelez le +1-800-648-5864 de 8h00 à 17h00 heure de l'Est, du lundi au vendredi.

1. Assemblage du chariot du gril

- a) Fixez quatre roulettes au panneau inférieur (B) à l'aide des (16) vis cruciformes de ¼ po x 15 mm (AA) et des (16) rondelles de blocage de ¼ po (EE). Remarque : (D) représente une roulette pivotante avec frein, (E) une roulette pivotante, et (C) des roulettes simples. Voir la Fig.1.

Conseil : pour monter les roulettes plus facilement, mettez le panneau inférieur à l'envers.

- b) Desserrez la vis et la rondelle qui sont fixées au boulon du réservoir depuis l'extérieur du plateau de réservoir de gaz (B1). Enlevez le boulon de l'intérieur et insérez le boulon depuis l'extérieur du plateau du réservoir. Fixez à nouveau la vis et la rondelle depuis l'intérieur du plateau du réservoir. Voir la Fig.2.
- c) Fixez le plateau du réservoir de gaz assemblé au panneau inférieur (B) à l'aide des (4) vis cruciformes (CC). Voir la Fig.3.

Fig.1

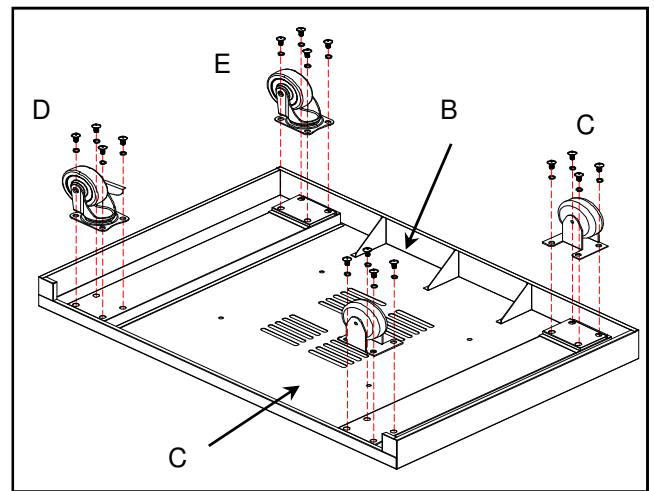


Fig.2

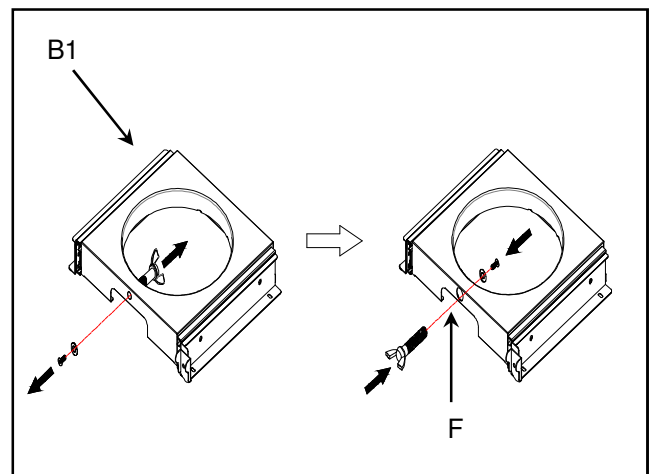
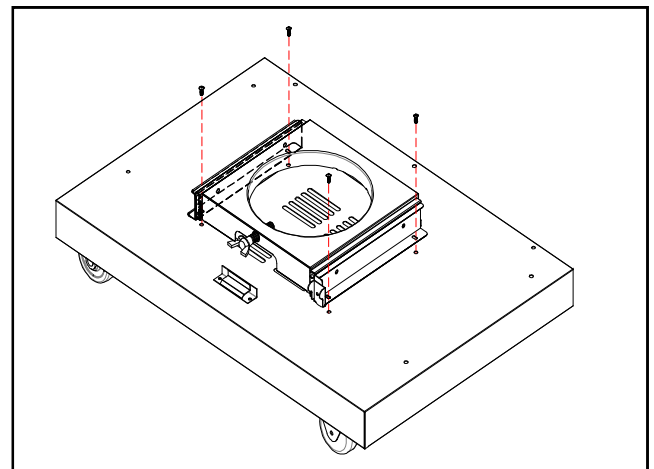
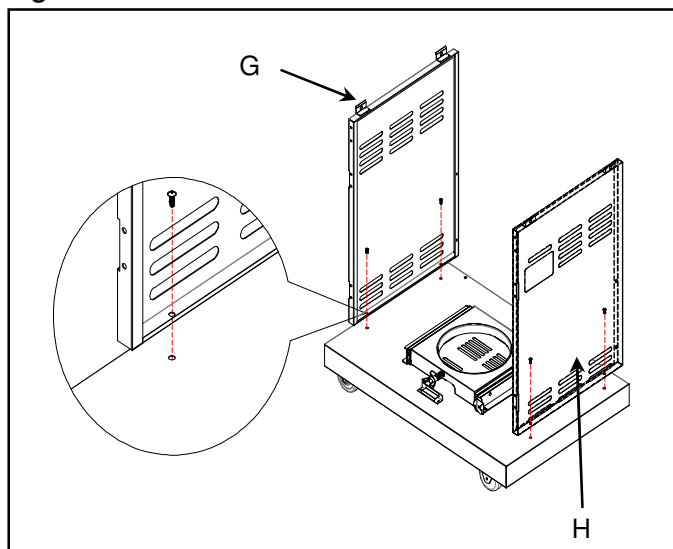


Fig.3



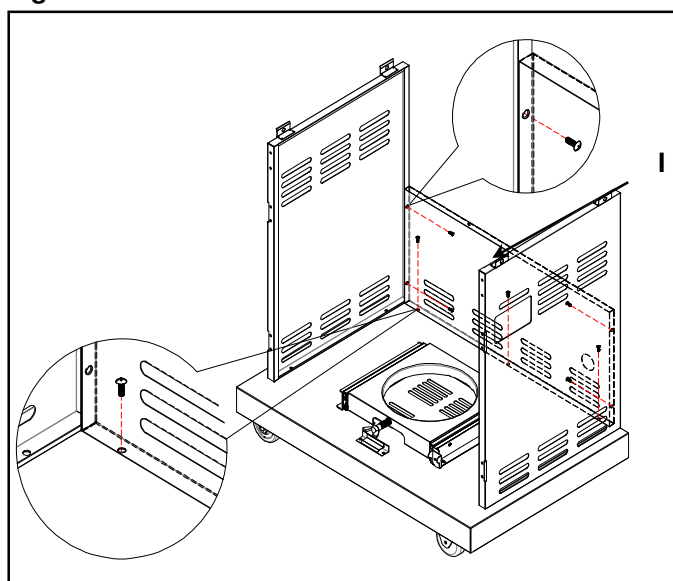
- (d) Fixez les panneaux latéraux droit et gauche (G et H) sur le panneau inférieur (B) à l'aide des (4) vis cruciformes (CC) avec (4) rondelles de blocage (FF). Voir la Fig.4.

Fig.4



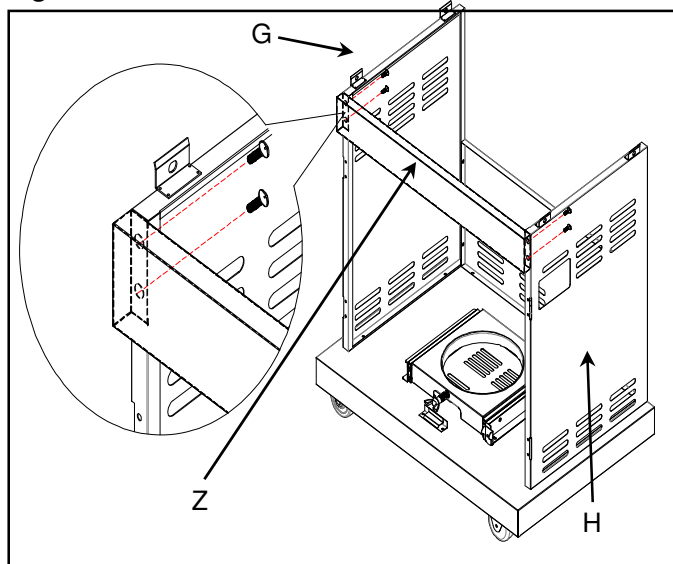
- (e) Fixez le panneau arrière (I) au panneau inférieur (B) à l'aide des (7) vis cruciformes (CC) avec (7) rondelles de blocage (FF). Voir la Fig.5.

Fig.5



- (f) Fixez la barre du cadre du chariot (Z) sur les deux panneaux latéraux (G et H) à l'aide des (4) vis cruciformes (BB) avec (4) rondelles de blocage (EE) depuis l'intérieur. Voir la Fig.6.

Fig.6



- g) Fixez la poignée de porte (K) à la porte de gauche (L) à l'aide de (2) vis cruciformes (CC). Répétez pour monter l'autre poignée de porte à la porte de droite (M). Voir la Fig.7.
- h) Fixez deux portes (L et M) aux panneaux latéraux (G et H) à l'aide de (8) vis à tête plate (DD). Voir la Fig.8.

2. Assemblage de la chambre de cuisson

- a) Assurez-vous que les portes du chariot du grill sont fermées pour équilibrer le chariot. Retirez le capot du grill (A) de la boîte. Installez-le sur le chariot en passant par le dessus. Voir la Fig.9.

MISE EN GARDE : le capot du grill est lourd. Pour cette étape, demander l'aide d'une autre personne afin d'éviter toute blessure. S'assurer également que les portes sont bien fermées pendant que l'installation du capot du grill sur le chariot. NE PAS ouvrir les portes tant que le capot du grill n'est pas solidement fixé au chariot.

- b) Fixez le capot du grill (A) aux panneaux latéraux de droite et de gauche (G et H) à l'aide de (4) vis cruciformes (AA). Voir la Fig.10.

Fig.7

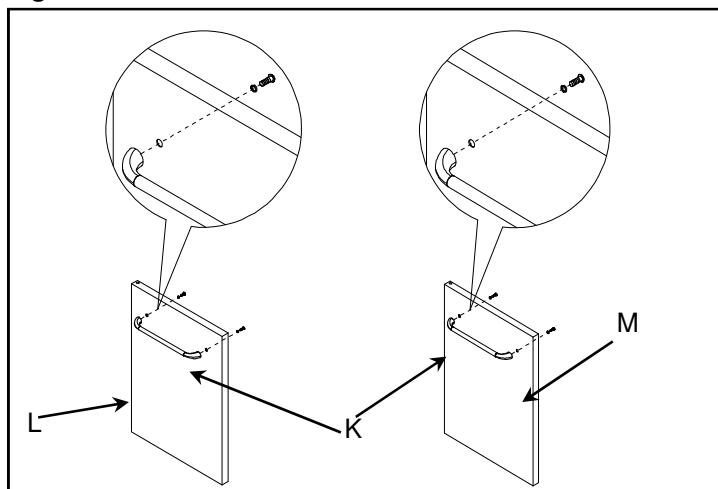


Fig.8

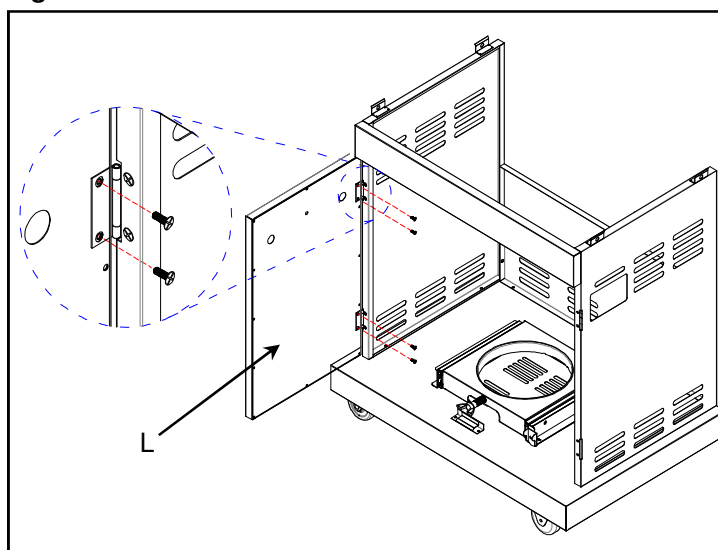


Fig.10

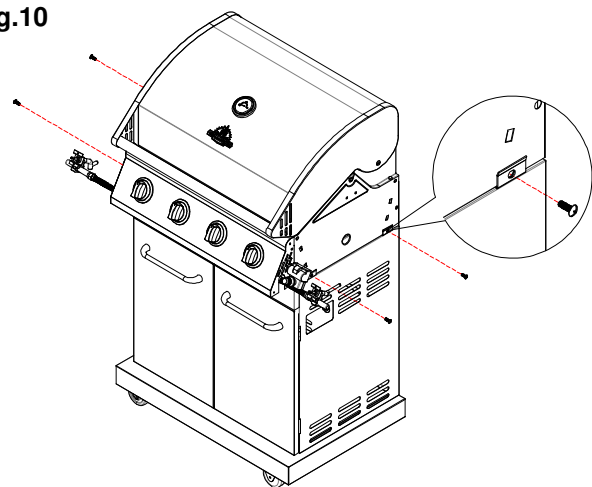
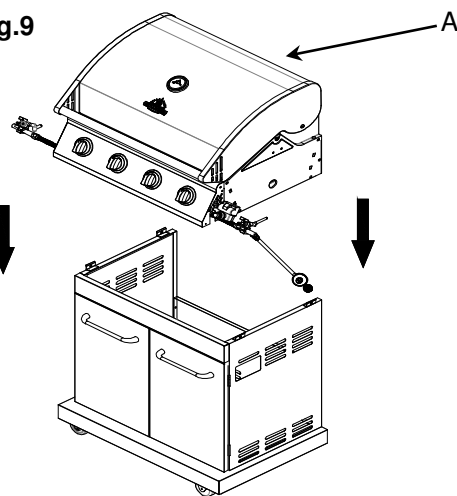


Fig.9



3. Assemblage du brûleur latéral

- Fixez le support triangulaire, droit (D1) au brûleur latéral (N) à l'aide des (2) vis cruciformes (CC). Voir la Fig.11.
- Desserrez les (2) vis préinstallées du côté droit du capot du grill (A) tel qu'illustré. Ne dévissez pas complètement; laissez sortir 1/4 de la vis pour l'assemblage de l'étagère. Voir la Fig.12.
- Par les trous de l'étagère du brûleur latéral, suspendez l'étagère du brûleur latéral (N) sur les deux vis desserrées. Voir la Fig.13A.
- À l'aide de (2) vis cruciformes (AA), fixez l'étagère du brûleur latéral (N et D1) au capot du grill à partir de l'intérieur de la chambre de cuisson. Insérez (1) vis cruciforme (CC) pour fixer le panneau avant de l'étagère du brûleur latéral au panneau de commande. Voir la Fig.13B. Serrez bien les deux vis desserrées pour fixer fermement l'étagère à la chambre de cuisson.

Fig.11

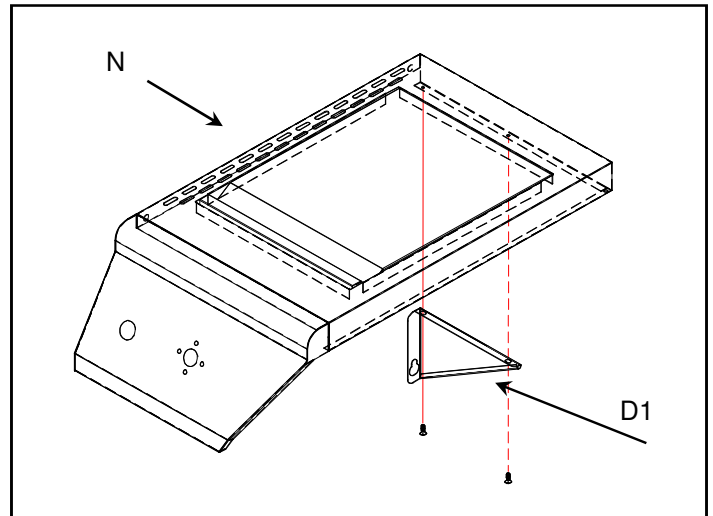
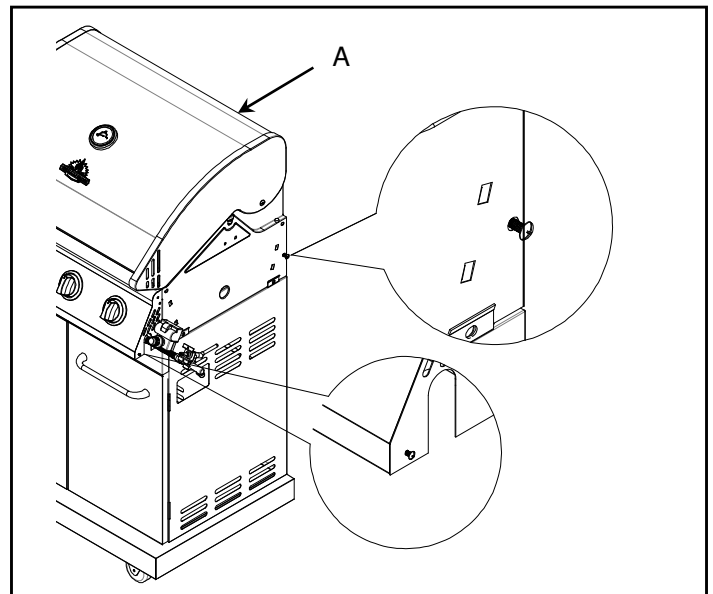


Fig.12



COUVERCLE DE BRÛLEUR LATÉRAL FONCTIONNEMENT

Comprend un couvercle avec système de levage et de dégagement à deux étapes pour éviter la fermeture du couvercle de manière inattendue.

Instruction: Soulevez le couvercle verticalement avant de fermer. Voir l'illustration ci-dessous:

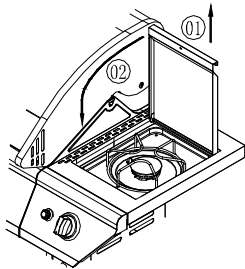


Fig.13B

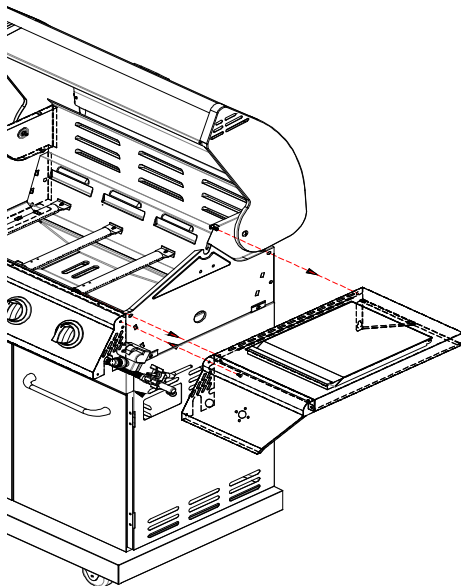
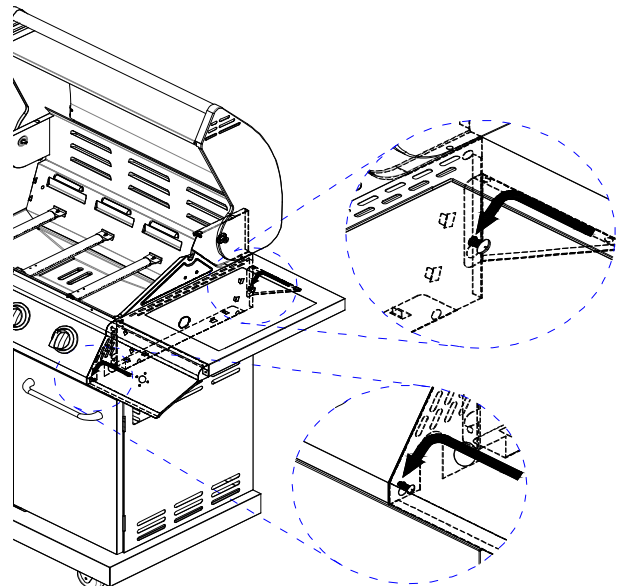


Fig.13A



4. Assemblage de la valve du brûleur latéral

- (a) Enlevez deux vis qui se trouvent sur la face de la valve de commande du brûleur latéral. Insérez la tige de contrôle de valve du brûleur latéral à travers le trou situé dans le panneau de commande du brûleur latéral. Placez la collerette (T) du bouton de commande du brûleur latéral sur la tige de contrôle de la valve du brûleur latéral. Fixez solidement la collerette au panneau de commande et à l'aide des 2 vis enlevées ci-dessus. Voir la Fig.14.
- (b) Insérez le tuyau du brûleur latéral sur l'orifice de la valve du brûleur latéral. Voir la Fig.15A1. À l'aide de (2) vis cruciformes (CC) fixent le brûleur latéral (N) à l'étagère afin de faire de la place pour l'installation de la valve du brûleur latéral. Voir la Fig.15A2.
- (c) Placez le bouton de commande (U) sur la tige de contrôle de la valve et appuyez pour le mettre en place, puis serrez-le à l'aide de la clé hexagonale. Voir la Fig.16.
- (d) Branchez le fil d'allumage dans le fil de l'allumeur suspendu de l'électrode sur la face inférieure du brûleur. Voir la Fig.17.

Fig.14

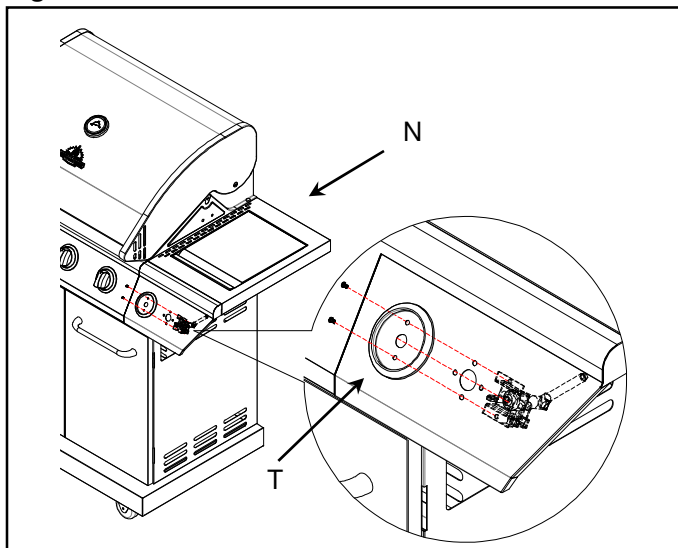


Fig.15

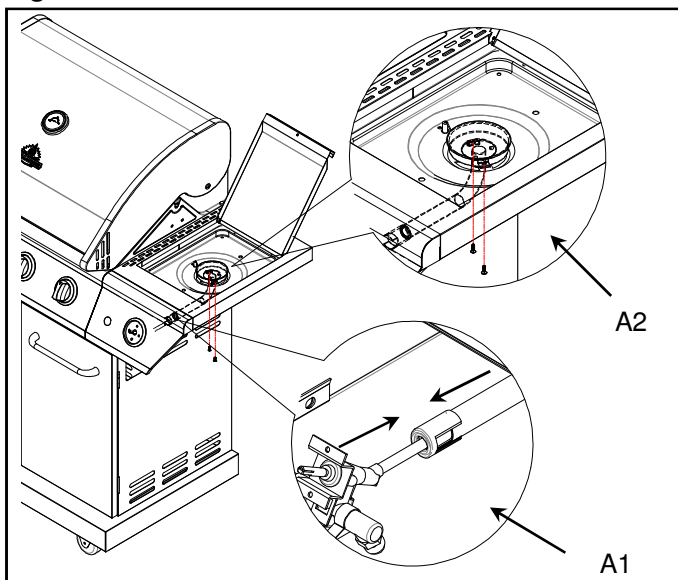


Fig.17

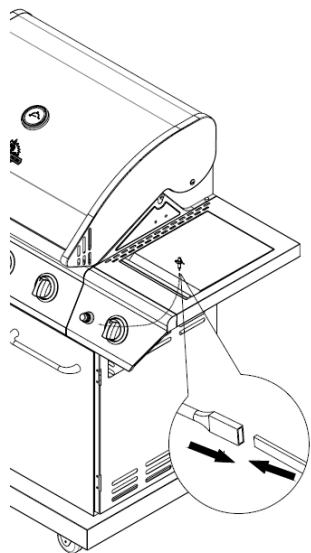
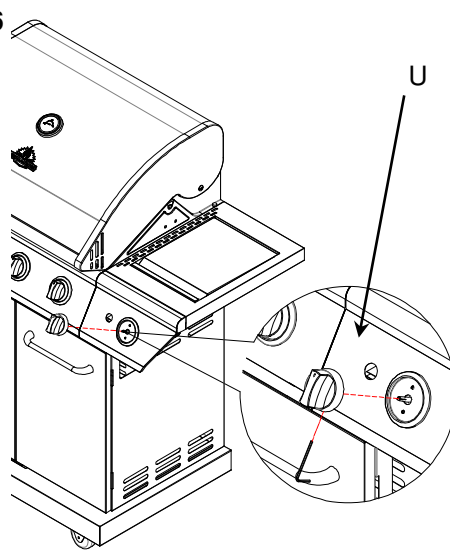


Fig.16



5. Assemblage du brûleur latéral à flamber

- (a) Fixez le support triangulaire, gauche (E1) au brûleur latéral (O) à l'aide des (2) vis cruciformes (CC). Voir la Fig.18.
- (b) Desserrez les (2) vis préinstallées et les (2) rondelles de blocage du côté gauche du capot du gril (A) tel qu'illustré. Ne dévissez pas complètement; laissez sortir $\frac{1}{4}$ de la vis pour l'assemblage de l'étagère. Voir la Fig.19.
- (c) Par les trous de l'étagère du brûleur latéral, suspendez l'étagère du brûleur latéral (O) sur les deux vis desserrées. Voir la Fig.20.
- (d) À l'aide de (2) vis cruciformes (AA), fixez l'étagère du brûleur latéral (O et E1) au capot du gril à partir de l'intérieur de la chambre de cuisson. Insérez (1) vis cruciforme (CC) pour fixer le panneau avant de l'étagère du brûleur latéral au panneau de commande. Voir la Fig.21. Serrez bien les deux vis desserrées pour fixer fermement l'étagère à la chambre de cuisson.

Fig.18

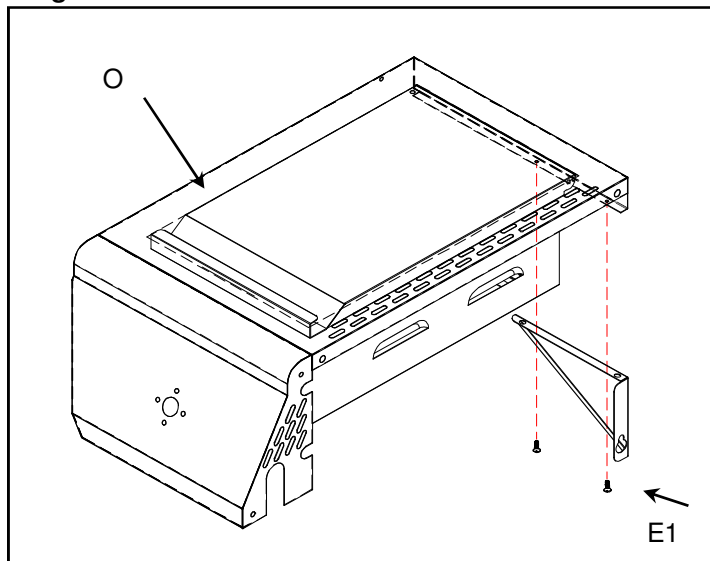


Fig.19

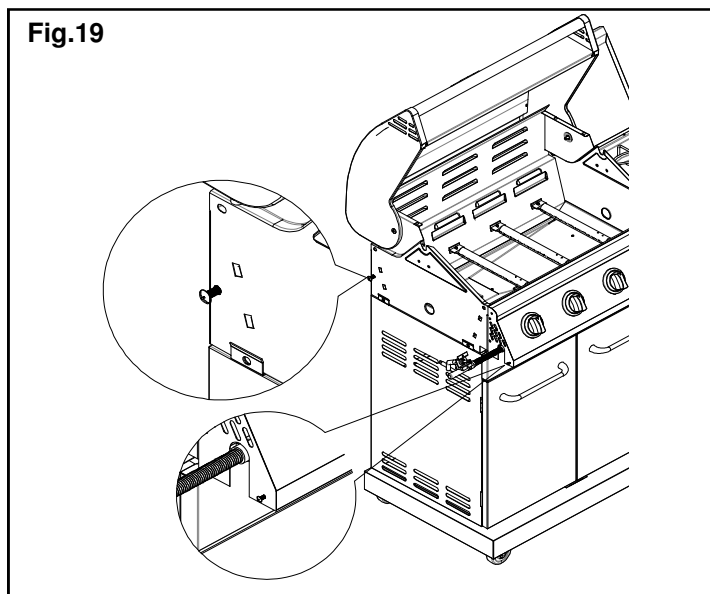


Fig.21

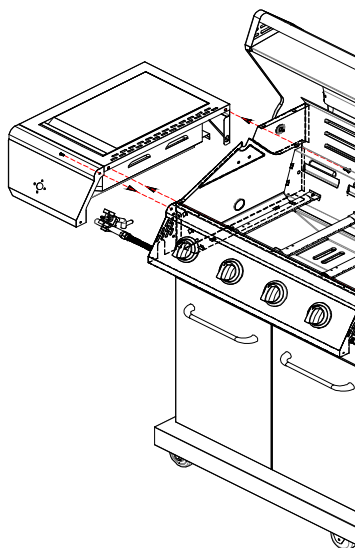
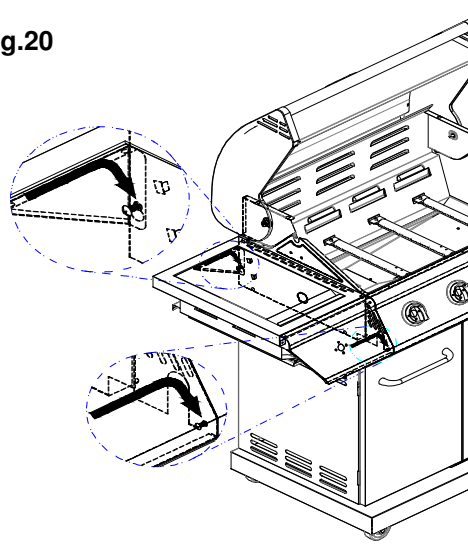


Fig.20



6. Assemblage de la valve du brûleur latéral à flamber

- (a) Retirez l'allumeur du brûleur latéral. Voir la Fig.22. Enlevez les deux vis situées à l'arrière du bol du brûleur latéral. Voir la Fig.23. Dégagez ensuite le brûleur latéral. Voir la Fig.24.
- (b) Enlevez deux vis qui se trouvent sur la face de la valve de commande du brûleur latéral. Insérez la tige de contrôle de valve du brûleur latéral à travers le trou situé dans le panneau de commande du brûleur latéral. Placez la collerette (T) du bouton de commande du brûleur latéral sur la tige de contrôle de la valve du brûleur latéral. Fixez solidement la collerette au panneau de commande et à la valve à l'aide des 2 vis enlevées ci-dessus. Voir la Fig.25.
- (c) Insérez le brûleur latéral par-dessus l'orifice de la valve du brûleur latéral. Voir la Fig.26. Servez-vous des deux vis du brûleur latéral que vous avez enlevées précédemment pour rattacher le brûleur latéral à son étagère.
- (d) Remplacez l'allumeur et serrez les deux vis situées à l'arrière du brûleur.

COUVERCLE DE BRÛLEUR LATÉRAL FONCTIONNEMENT

Comprend un couvercle avec système de levage et de dégagement à deux étapes pour éviter la fermeture du couvercle de manière inattendue.

Instruction: Soulevez le couvercle verticalement avant de fermer. Voir l'illustration ci-dessous:

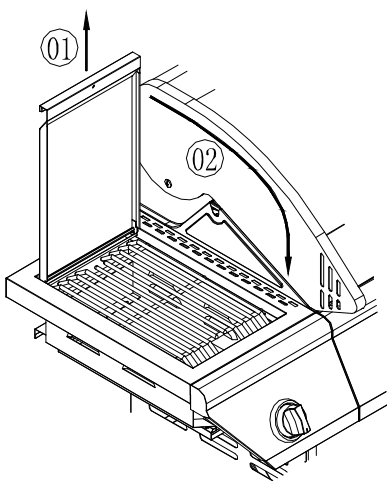


Fig.22

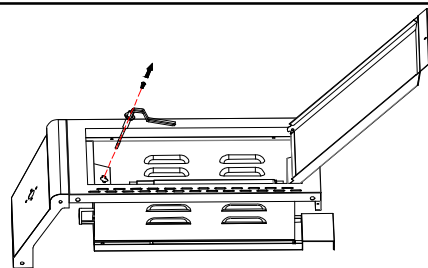


Fig.23

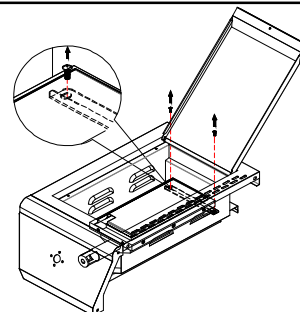


Fig.24

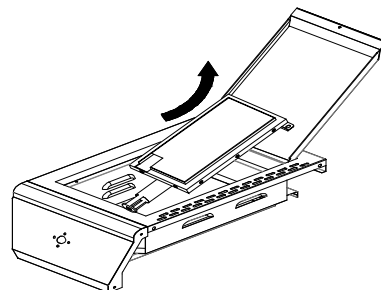


Fig.25

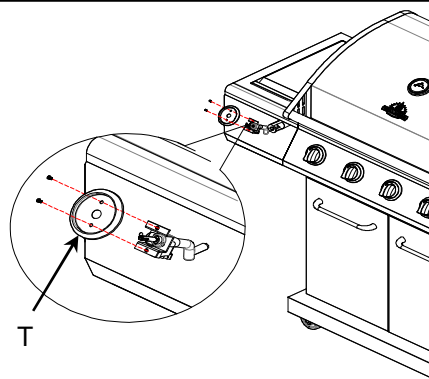
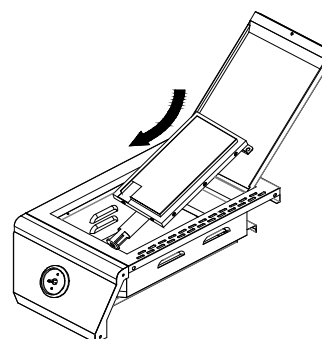


Fig.26



- (d) Poussez le bouton de commande (U) sur la tige de contrôle de la valve puis serrez-le à l'aide de la clé hexagonale. Voir la Fig.27.
- (e) Branchez le fil d'allumage dans le fil de l'allumeur suspendu de l'électrode sur la face inférieure du brûleur. Voir la Fig.28.

7. Assemblage de l'allumeur et de la pile

- (a) Enlever le couvercle et la rondelle de l'allumeur. Insérez l'allumeur par la partie arrière du panneau de commande du brûleur latéral. Fixez la rondelle de blocage depuis la partie frontale du panneau de commande du brûleur latéral. Voir la Fig.29.
- (b) Installez la pile (V) dans la boîte d'allumage avec la borne positive face à l'extérieur. Voir la Fig.29.
- (c) Remplacez le capuchon de la pile d'allumage après l'installation de la pile. Voir la Fig.29.

Note : Vérifier que l'allumeur est assemblé – conducteurs orientés vers le haut, pour qu'ils soient suffisamment distants de la tubulure d'alimentation.

Voir l'illustration ci-dessous :

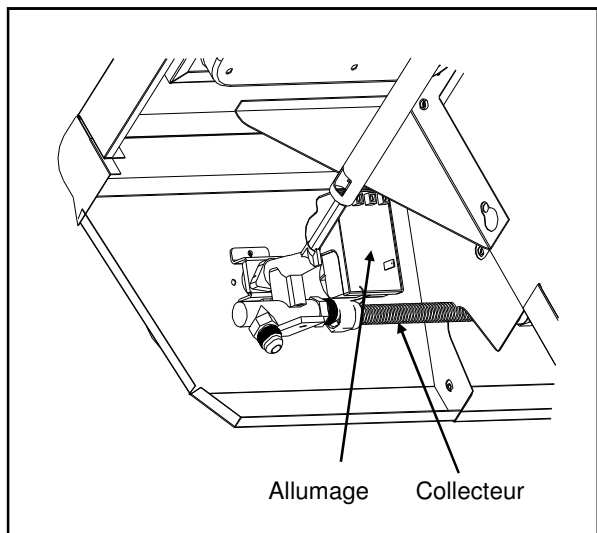


Fig.27

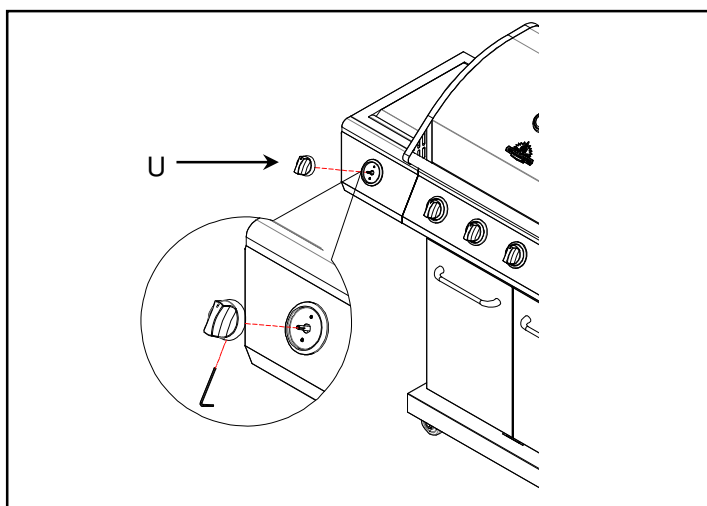


Fig.28

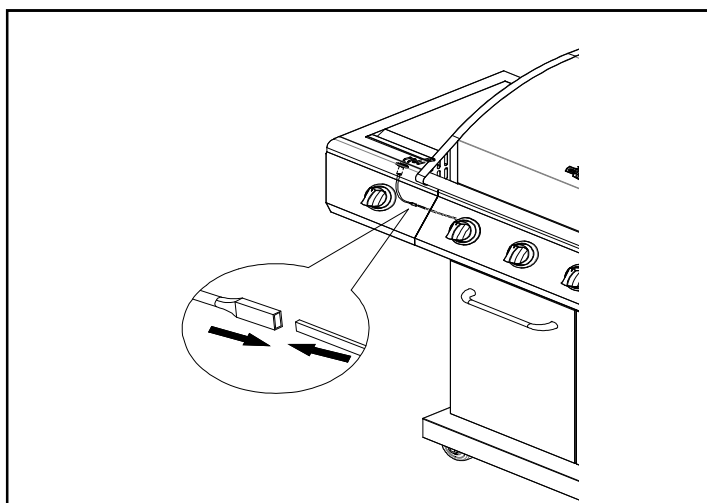
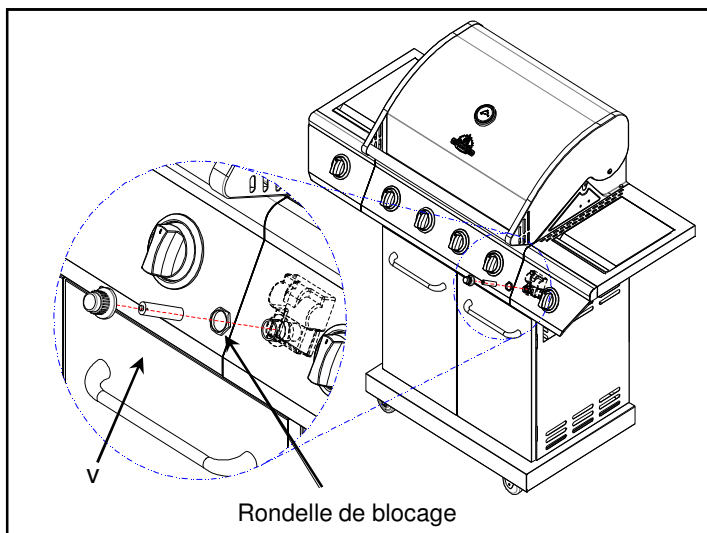


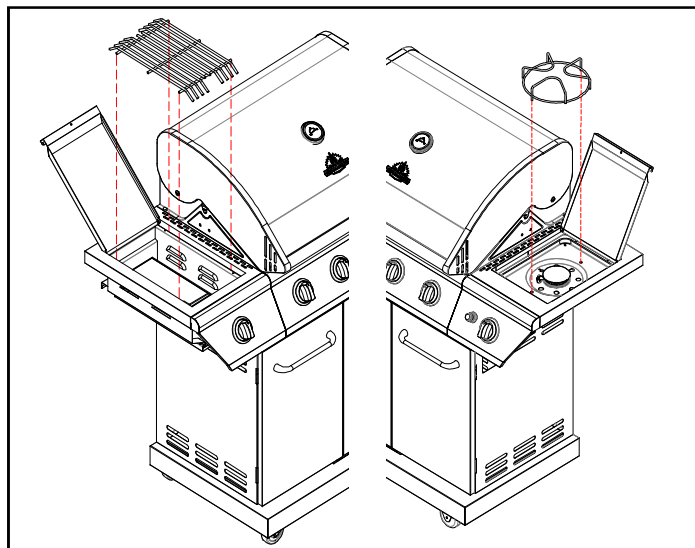
Fig.29



8. Assemblage des grilles du brûleur latéral

Remplacez les deux grilles sur chaque brûleur latéral.
Voir la Fig.30.

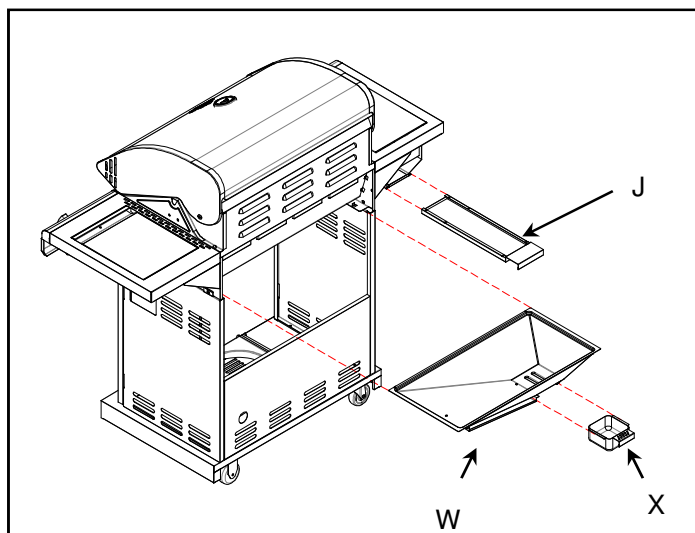
Fig.30



9. Assemblage du réceptacle à graisse

Depuis l'arrière, retirez le plateau à graisse (W et J), enlevez tout matériel d'emballage qui s'y trouverait, puis insérez le réceptacle à graisse (X) dans le plateau à graisse (W). Voir la Fig.31. Réinsérez le plateau à graisse dans le gril.

Fig.31



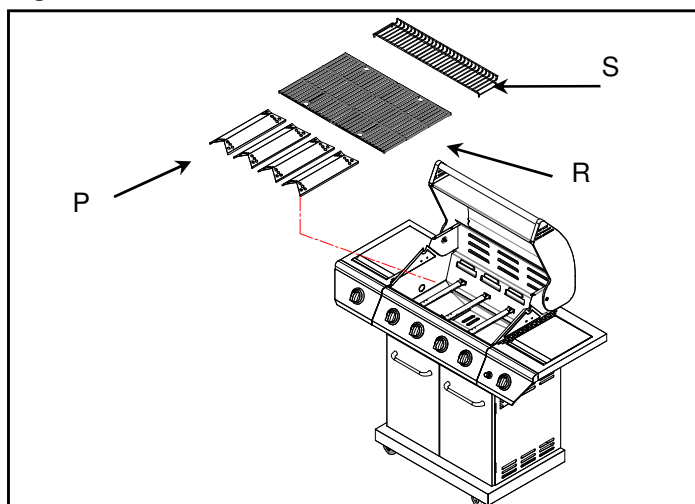
10. Installation des éléments de cuisson

- Placez les diffuseurs (P) de chaleur sur les brûleurs (voir illustration). Les bouts des diffuseurs doivent être insérés dans des rainures à l'avant et à l'arrière de la chambre de cuisson. Voir la Fig.32.
- Placez les grilles de cuisson (R) à espacement égal sur l'appui situé au-dessus des diffuseurs de chaleur. Voir la Fig.32.

Pour obtenir des marques de grillage sur la viande cuite, assurez-vous d'insérer les grilles avec le côté à quatre pattes en coins tourné vers le bas.

- Insérez les pattes de la grille chauffante (S) dans les trous en haut des panneaux latéraux de la chambre de cuisson. Voir la Fig.32.

Fig.32



11. Connexion du réservoir de gaz PL au gril PL

- Depuis l'avant du chariot, tournez le verrou sur la droite et dégagez le logement du plateau du réservoir, placez ensuite le pied annulaire du réservoir de 9 kg (20 lb) dans le trou du panneau inférieur. Assurez-vous que la valve du réservoir est fermée (OFF). Serrez-vous du boulon du réservoir pour fixer solidement le réservoir en place, tournez ensuite le verrou vers la gauche. Voir la Fig.33.
- Vérifiez que la valve du réservoir dispose de filets externes appropriés qui s'agencent correctement dans l'ensemble tuyau et régulateur de pression fourni.
- Assurez-vous que toutes les valves des brûleurs sont en position fermée (OFF).
- Inspectez l'ensemble régulateur de pression et l'orifice de connexion de la valve. Effectuez une inspection afin de détecter tout dégât ou débris, et enlevez-les, si présents. Inspectez le tuyau pour voir s'il est endommagé. N'utilisez jamais de matériel endommagé ou bouché.
- Lorsque vous joignez l'ensemble tuyau et régulateur de pression à la valve du réservoir, serrez l'écrou à raccord rapide à la main vers la droite jusqu'à l'arrêt complet. Voir la Fig.34. N'utilisez pas de clé pour serrer l'écrou à raccord rapide, ce qui pourrait l'endommager et entraîner une situation dangereuse.
- Ouvrez lentement et complètement la valve du réservoir (en tournant vers la gauche). À l'aide d'une solution d'eau savonneuse, vérifiez tous les joints afin de détecter la présence de fuites avant de tenter l'allumage de votre gril (voir la page suivante pour les consignes de vérification des fuites de gaz). En cas de fuite, fermez la valve du réservoir et n'utilisez pas votre gril jusqu'à ce que la fuite ait été réparée.

MISE EN GARDE: lorsque vous n'utilisez pas l'appareil, le gaz doit être éteint au niveau du réservoir d'alimentation.

DÉCONNEXION DE LA BOUTEILLE DE PROPANE LIQUIDE

Mettez les valves des brûleurs du gril sur arrêt (OFF) et assurez-vous que le gril est froid.

Tournez le robinet de la bouteille de propane liquide sur arrêt (OFF) dans le sens horaire jusqu'au blocage. Détachez l'ensemble du régulateur de pression de la valve de la bouteille en tournant l'écrou à raccord rapide dans le sens anti-horaire.

Placez le bouchon anti-poussière sur la sortie du robinet de la bouteille en tout temps lorsque vous n'utilisez pas la bouteille. N'installez que le type de bouchon anti-poussière sur la sortie de la valve de la bouteille qui est fourni avec la valve de la bouteille. Les autres types de bouchons ou de capuchons peuvent entraîner des fuites du propane.

Fig.33

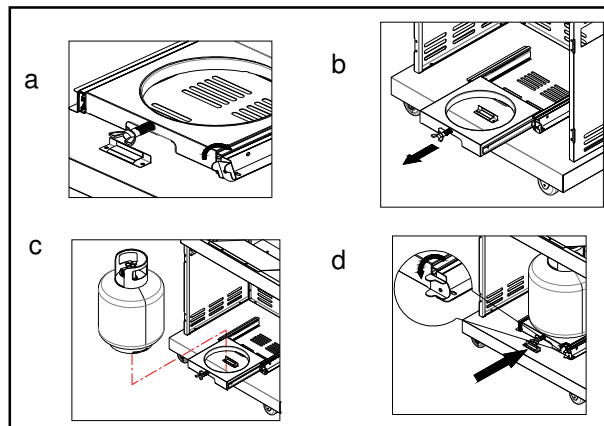
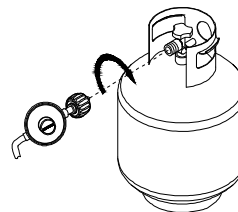


Fig.34

Connexion du régulateur de pression



Félicitations

Vous pouvez maintenant utiliser votre gril à gaz GrillMaster^{MD}. Avant la première utilisation et au début de chaque saison (ainsi que lors de tout changement de réservoir de PL):

- Lisez toutes les consignes de sécurité, d'allumage et de fonctionnement.
- Vérifiez les orifices des valves de gaz, les tuyaux de brûleurs et les orifices de brûleurs pour déceler toute obstruction.
- Effectuez une vérification de fuite de gaz en suivant les consignes stipulées sur la page suivante de ce manuel.

Important:

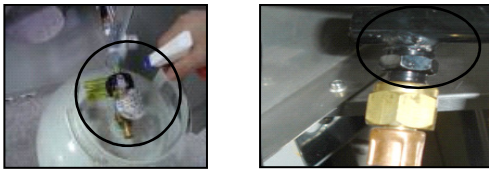
Avant de cuisiner sur votre gril pour la première fois, lavez les grilles et étagères de cuisson avec de l'eau savonneuse tiède. Rincez et séchez complètement. Rajoutez régulièrement de l'huile de cuisson. Lorsque la cuisson est terminée, haussez la température du gril à HIGH pendant 3 à 5 minutes pour le débarrasser d'excédents de graisse ou de résidus de nourriture.

Vérification de fuites de PL

N'utilisez jamais de flamme pour détecter la présence de fuites. Vous devez vérifier s'il y a des fuites de gaz avant la première utilisation, au début de chaque saison et chaque fois que vous changez le réservoir de PL.

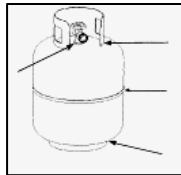
- Fabriquez une solution savonneuse de 50/50 (savon/eau).
- Mettez les boutons de commande en position fermée (OFF); puis allumez le gaz (position ON) du réservoir d'alimentation.
- Appliquez la solution savonneuse avec une brosse propre à tous les joints de gaz. Voir ci-dessous. Si des bulles se forment dans la solution, les joints ne sont pas scellés correctement. Vérifiez chaque raccord, et serrez ou réparez au besoin.

Vérification de fuites dans les joints de gaz



- En cas de fuite dans le joint de gaz que vous ne pouvez réparer, éteignez le gaz du réservoir d'alimentation (position OFF), débranchez la conduite d'alimentation de votre gril et appelez le 1-800-648-5864 ou votre fournisseur de gaz pour de l'aide à la réparation.
- Appliquez également la solution savonneuse aux rivures du réservoir. Voir ci-dessous. Si des bulles se forment, éteignez le réservoir, ne l'utilisez pas et ne le déplacez pas! Demandez de l'aide à un fournisseur en PL ou à votre service de pompiers.

Vérification de fuites dans le réservoir de gaz



Consignes pour l'allumage du gril

Consignes pour l'allumage des brûleurs principaux

1. Ne fumez pas pendant l'allumage du gril ou la vérification des connexions d'alimentation en gaz.
2. Assurez-vous que le réservoir de PL est suffisamment rempli.
3. Assurez-vous que toutes les connexions de gaz sont solidement serrées.
4. Allumez le gaz.

AVERTISSEMENT
Si le couvercle du gril n'est pas ouvert durant la procédure d'allumage, un incendie ou une explosion peuvent en résulter et causer de graves lésions corporelles voire la mort ou des dommages matériels.

5. Ouvrez le couvercle principal du gril.
6. Appuyez sur n'importe quel bouton de commande du brûleur principal que vous tournez en position HIGH. Appuyez sur le bouton d'allumage électrique pendant 3 à 5 secondes pour allumer le brûleur.



7. Si le brûleur ne s'allume pas après 5 secondes, tournez le bouton sur arrêt (OFF). Éteignez le gaz en mettant le réservoir de PL sur arrêt (OFF) et attendez 5 minutes que le gaz se soit dispersé. Mettez ensuite le gaz du réservoir sur marche (ON) et répétez l'étape 5.
8. Si le brûleur ne s'allume toujours pas, voir les sections « Allumage manuel du gril avec une allumette » et « Si le gril ne réussit toujours pas à s'allumer » à la page suivante.
9. Pour allumer d'autres brûleurs, tournez le(s) bouton(s) sur HIGH. Appuyez sur le bouton d'allumage électrique que vous maintenez enfoncé pour allumer le brûleur. Ajustez le(s) bouton(s) à la température souhaitée.

UTILISATION DU BRÛLEUR LATÉRAL:

Inspectez le tuyau d'alimentation en gaz avant de mettre le gaz sur marche (ON). S'il semble y avoir des coupures, de l'usure ou de l'abrasion, le tuyau doit être remplacé avant toute utilisation. N'utilisez pas le brûleur latéral si une odeur de gaz est présente.

AVERTISSEMENT : maintenez toujours votre visage et votre corps aussi loin que possible du brûleur lors de l'allumage.

CONSIGNES POUR L'ALLUMAGE DES BRÛLEURS LATÉRAUX

- Ouvrez complètement le couvercle du brûleur latéral.
- Appuyez sur le bouton du brûleur latéral et tournez-le en position HIGH. Appuyez sur le bouton d'allumage électrique que vous maintenez enfoncé pendant 3 à 5 secondes pour allumer le brûleur.
- Si le brûleur latéral ne s'allume pas après 5 secondes, tournez le bouton sur arrêt (OFF). Éteignez le gaz en mettant le réservoir de PL sur arrêt (OFF) et attendez 5 minutes que le gaz se soit dispersé. Mettez ensuite le gaz du réservoir sur marche (ON) et répétez l'étape 2.
- Si le brûleur ne s'allume toujours pas, voir les sections «Allumage Manuel du Gril Avec une Allumette» et «Si le Gril ne Réussit Toujours Pas à S'allumer» à la page suivante.



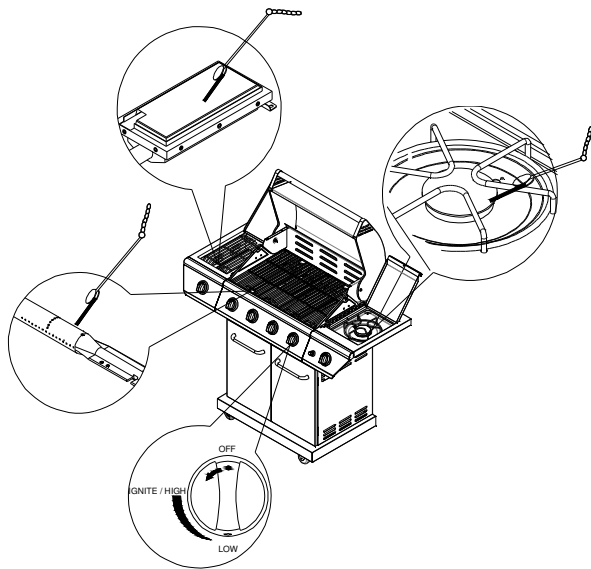


AVERTISSEMENT

Ne jamais se pencher sur l'aire de cuisson pendant que vous allumez votre gril à gaz. Gardez votre visage et votre corps à une distance sûre (au moins 45 centimètres) de la surface de cuisson lorsque vous allumez votre gril avec une allumette.

Allumage manuel du gril avec une allumette

1. Insérez une allumette dans le bâtonnet d'allumage manuel.
2. Suivez les étapes de 1 à 9 de la procédure d'allumage de base.
3. Frottez l'allumette et tendez-la vers la surface de la grille de cuisson.
4. Tournez le bouton de commande souhaité en position HIGH pour ouvrir le gaz. Le brûleur devrait s'allumer immédiatement.



AVERTISSEMENT

En cas de « RETOUR DE FLAMME » dans ou autour des tuyaux de brûleurs, suivez les instructions ci-dessous. La non-conformité aux présentes consignes peut déclencher un incendie ou une explosion qui sont susceptibles d'entraîner des lésions corporelles graves voire la mort ou des dommages matériels.

- Coupez l'alimentation du gaz au gril.
- Tournez les boutons à la position OFF.
- Éteignez toute flamme avec un extincteur.
- Soulevez le couvercle du gril.
- Une fois que le gril s'est refroidi, nettoyez les tuyaux de brûleurs et les brûleurs en suivant les consignes de nettoyage à la page 72.

Si le gril ne réussit toujours pas à s'allumer

1. Vérifiez la présence de fuites dans l'alimentation en gaz et dans les joints. Vérifiez que tous les fils sont solidement connectés.
2. Répétez la procédure d'allumage de base. Si votre gril ne fonctionne toujours pas, éteignez le gaz à la source, tournez les boutons de commande sur arrêt (OFF), et vérifiez les éléments suivants :
 - Défaut d'alignement des tuyaux de brûleurs sur les orifices
Correction : repositionnez les tuyaux de brûleurs sur les orifices.
 - Orifice bouché
Correction : enlevez les brûleurs du gril et soulevez chaque brûleur soigneusement hors de l'orifice de la valve de gaz. Retirez l'orifice de la valve de gaz et enlevez délicatement toute obstruction avec un fil fin. Réinstallez ensuite tous les orifices, les brûleurs et les éléments de cuisson.
3. S'il semble y avoir une obstruction dans les valves des brûleurs du gril, appelez le +1-800-648-5864 pour demander un service de réparation.

4. Si le gril ne s'allume toujours pas, il peut s'avérer nécessaire de purger l'air du conduit de gaz ou remettre en place le régulateur de pression d'écoulement d'excès de gaz. **Remarque** : cette procédure devrait être effectuée à chaque fois qu'un nouveau réservoir de PL est branché à votre gril.

Pour purger l'air de votre conduite de gaz et/ou remettre en place le régulateur de pression d'écoulement d'excès de gaz :

- Tournez tous les boutons à la position OFF.
- Éteignez le gaz à partir de la soupape du réservoir.
- Débranchez le régulateur de pression de la bouteille de PL.
- Laissez reposer debout pendant 5 minutes.
- Rebranchez le régulateur de pression à la bouteille de PL.
- Tournez la valve du réservoir très lentement jusqu'à une ouverture entre $\frac{1}{4}$ et $\frac{1}{2}$.
- Ouvrez le couvercle du gril.
- Poussez et tournez n'importe lequel des boutons de commande à la position HIGH.
- Tournez les boutons de commande à HIGH jusqu'à ce que tous les brûleurs soient allumés.
- Vous pouvez commencer à utiliser le gril.

5. Si toutes les vérifications ou les corrections ont été effectuées et que vous ayez toujours des questions à propos du fonctionnement de votre gril à gaz, appelez le **Centre d'information sur les grils au +1-800-648-5864.**

Nettoyage et entretien

Pour garantir le bon fonctionnement de l'appareil, un nettoyage et un entretien appropriés sont recommandés.

Nettoyage des grilles de cuisson

Nous vous suggérons de laver vos grilles de cuisson dans une solution de savon doux et d'eau tiède. Vous pouvez utiliser une débarbouillette ou une brosse à soies souples pour nettoyer vos grilles de cuisson.

Nettoyage des diffuseurs de chaleur

Lavez régulièrement les diffuseurs de chaleur dans une solution de savon doux et d'eau tiède. Utilisez une brosse à soies souples pour enlever les résidus de cuisson brûlés tenaces. Les diffuseurs doivent sécher avant d'être réinstallés.

Nettoyage du plateau à graisse

Le plateau à graisse doit être vidé et essuyé périodiquement, puis lavé dans une solution de savon doux et d'eau tiède. Une petite quantité de sable ou de litière pour chats peut être placée dans le fond du plateau à graisse afin d'absorber la graisse.

Vérifiez souvent le plateau à graisse et ne laissez pas d'excès de graisse s'accumuler et déborder du plateau à graisse.

Nettoyage annuel de l'intérieur du gril

Un brûlage de nettoyage après chaque utilisation est suffisant pour préparer le gril à sa prochaine utilisation. Cependant, une fois par année, vous devez effectuer un nettoyage complet du gril pour le garder dans le meilleur état de fonctionnement possible. Effectuez les étapes suivantes.

1. Tournez toutes les valves de brûleur en position d'arrêt (OFF).
2. Tournez la valve du réservoir de PL en position d'arrêt (OFF).
3. Détachez l'ensemble régulateur de pression et tuyau de PL de votre gril à gaz. Inspectez pour déceler tout dégât et remplacez si nécessaire en vous servant des numéros de pièces de rechange du fabricant indiqués dans la liste des pièces.
4. Retirez et nettoyez les diffuseurs de chaleur, les grilles de cuisson et les brûleurs du gril.
5. Couvrez l'orifice de chaque valve à gaz avec une feuille d'aluminium.
6. Brossez l'intérieur et le fond du gril avec une brosse de nylon et lavez avec une solution de savon doux et d'eau tiède. Rincez minutieusement et laissez sécher.
7. Enlevez les feuilles d'aluminium, puis réinstallez les diffuseurs et les grilles de cuisson.
8. Rebranchez la source de gaz et examinez la flamme de brûleur pour vérifier son bon fonctionnement.

Nettoyage de la surface extérieure

Nous vous suggérons de laver votre gril avec une solution de savon doux et d'eau tiède. Vous pouvez utiliser une débarbouillette ou une éponge. N'utilisez pas de produits abrasifs ni une brosse qui pourraient enlever la finition pendant le nettoyage.

Nettoyage des surfaces extérieures en acier inoxydable

Suite aux intempéries et à la chaleur extrême, la couleur des surfaces extérieures en acier inoxydable peut subir un brunissement. Les huiles de machine utilisées dans le procédé de fabrication de l'acier inoxydable peuvent également causer ce changement de teinte. Utilisez un agent de nettoyage à acier inoxydable pour polir les surfaces en acier inoxydable de votre gril. N'utilisez jamais de nettoyeurs abrasifs ni de récurer qui railleront et endommageront votre gril.

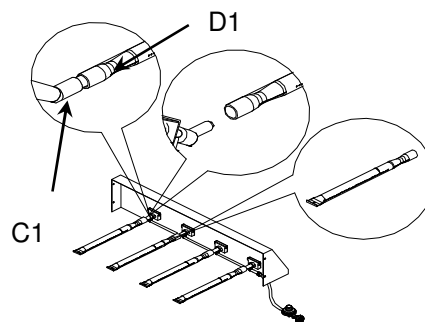
Nettoyage des tuyaux et des orifices des brûleurs

Pour réduire le risque d'un « RETOUR DE FLAMME », la procédure ci-dessous doit être effectuée au moins une fois par mois à la fin de l'été ou au début de l'automne quand les araignées sont les plus actives, ou si votre gril est resté inutilisé pendant une longue période.

1. Tournez toutes les valves de brûleur et la valve du réservoir de gaz en position d'arrêt (OFF).
 2. Détachez l'ensemble régulateur de pression de PL de votre gril à gaz.
 3. Enlevez les grilles de cuisson, les diffuseurs et le plateau à graisse du gril.
 4. Enlevez les vis de la face inférieure de chaque brûleur et soulevez les brûleurs hors de l'orifice de la valve de gaz.
 5. Passez un fil de fer raide plié en forme de crochet, un tuyau d'air ou un goupillon plusieurs fois à l'intérieur et à travers le tuyau de brûleur pour enlever tout débris.
 6. Remplacez les brûleurs; voir l'illustration ci-dessous.
- Étape 1. Retirez la vis qui bloque le fil d'allumage.
Étape 2. Enlevez la goupille en épingle à cheveux qui fixe le brûleur en place à l'autre bout.
Étape 3. Placez le nouveau brûleur dans l'orifice.
(a) Insérez le brûleur sur la valve de gaz du brûleur principal.
(b) Assurez-vous que l'ergot de l'orifice (C1) est à l'intérieur du venturi du brûleur (D1). Voir la Fig.35.
Étape 4. Installez solidement le brûleur principal sur le mur arrière à l'aide de la goupille en épingle à cheveux, et remettez le fil d'allumage en place.



Fig.35





AVERTISSEMENT

La disposition du tuyau de brûleur par rapport à l'orifice est cruciale pour un fonctionnement sécuritaire. Assurez-vous de vérifier que l'orifice est bien dans le tuyau de brûleur avant d'utiliser le gril à gaz. Si le tuyau de brûleur n'est pas bien ajusté sur l'orifice de la valve, l'allumage du brûleur peut déclencher une explosion ou un incendie.

- Nettoyez tout orifice bouché avec un fil raide, tel qu'un trombone déplié.
- Inspectez chaque brûleur pour détecter les dégâts (fentes ou trous) et en cas de dégâts, commandez et installez un nouveau brûleur. Après l'installation, vérifiez que les orifices de valve de gaz sont correctement placés dans les bouts des tuyaux de brûleur.

Quelle que soit la procédure de nettoyage des brûleurs que vous suivez, nous vous recommandons de compléter également les étapes suivantes pour prolonger la vie utile de vos brûleurs.

- Utilisez un tampon de fibres ou une brosse de nylon pour nettoyer entièrement la surface externe de chaque brûleur jusqu'à ce qu'il n'y ait plus de trace de résidu d'aliment ni de saleté.



AVERTISSEMENT

Des araignées et des insectes peuvent faire leur nid à l'intérieur des brûleurs du gril, ce qui peut perturber l'écoulement des gaz. Il s'agit d'une situation très dangereuse qui pourrait déclencher un incendie derrière le panneau de la valve, endommageant le gril et rendant son utilisation hasardeuse. Inspectez le gril au moins deux fois par an.

Dépannage

AVANT D'APPELER LE SERVICE À LA CLIENTÈLE

Si le gril ne fonctionne pas correctement, effectuez chaque vérification de la liste qui suit avant de contacter le service à la clientèle.

Vous devriez inspecter les brûleurs au moins une fois par an ou immédiatement après l'une des situations suivantes :

PROBLÈMES	CE QU'IL FAUT FAIRE
Le gril ne s'allume pas lorsque le bouton de commande est tourné.	Vérifiez si le réservoir de PL est vide. Nettoyez les fils et/ou les électrodes en les frottant avec de l'alcool et un écouvillon propre. Essuyez avec un chiffon sec. Assurez-vous que le fil est branché l'ensemble d'électrodes. Vérifiez si les autres brûleurs fonctionnent. Si oui, vérifiez s'il y a une obstruction dans l'orifice de gaz du brûleur défectueux.
La flamme du brûleur est jaune ou orangée, et il y a une odeur de gaz.	Voir la section Nettoyage des tuyaux et orifices de brûleurs à la page 72. Si le problème persiste, veuillez appeler le +1-800-648-5864.
Faible chaleur alors que le bouton est en position HIGH.	1. Assurez-vous que le problème ne concerne qu'un seul brûleur. Si c'est le cas, nettoyez l'orifice et le brûleur en dégageant les ports de toute obstruction. 2. Vérifiez si le tuyau de carburant est plié ou courbé. 3. Assurez-vous que l'obturateur d'air est bien réglé. 4. Vérifiez si l'alimentation et la pression du gaz sont adéquates. 5. Préchauffez le gril pendant 15 minutes au moins. 6. Si vous utilisez du gaz PL, vérifiez si la bouteille est vide.

Consignes pour la cuisson



AVERTISSEMENT

Ne pas laisser le gril sans surveillance. Votre gril deviendra très chaud. Ne vous penchez jamais au-dessus de l'aire de cuisson pendant l'utilisation de votre gril. Ne touchez pas aux surfaces de cuisson, au boîtier du gril. Le couvercle du gril ni à toute autre partie du gril pendant que le gril est allumé, et jusqu'à ce que le gril ait refroidi après l'utilisation. Le non-respect de ces consignes peut entraîner des lésions corporelles graves.

Brûlage de nettoyage

Avant de cuisiner sur votre gril à gaz pour la première fois, il est préférable de «brûler» le gril pour éliminer toute odeur ou tout corps étranger. Il suffit d'allumer les brûleurs, de rabaisser le couvercle et de faire fonctionner le gril à haute température pendant 3 à 5 minutes.

Températures de cuisson

Température élevée : n'utilisez cette température que pour réchauffer rapidement, saisir les biftecks ou les côtelettes et brûler les résidus d'aliments afin de nettoyer le gril une fois la cuisson terminée. **Ne jamais** utiliser la température élevée (HIGH) pour une cuisson de longue durée.

Températures moyennes à basses : la plupart des recettes spécifient des températures moyennes à basses, y compris toute fumaison, rôtisserie et cuisson des morceaux maigres comme le poisson.

REMARQUE : la température du gril varie selon la température extérieure et la force du vent de votre région.

Cuisson directe

La méthode de cuisson directe peut être utilisée avec les grilles de cuisson fournies et la nourriture peut être placée directement sur les brûleurs allumés du gril. Cette méthode est parfaite pour saisir les aliments et lorsque vous voulez que votre viande, votre volaille ou votre poisson aient une saveur de cuisson au barbecue à flamme nue. La friture et la fumaison sont également adaptées à cette méthode, puisqu'elles exigent une chaleur directe.



AVERTISSEMENT

Ne tapissez pas le fond du boîtier du gril avec des feuilles d'aluminium, du sable ou toute autre substance qui restreindrait l'écoulement de la graisse dans le plateau à graisse. La non-conformité aux présentes consignes peut avoir pour résultat un incendie ou une explosion qui pourraient entraîner des lésions corporelles graves voire la mort ou des dommages matériels.

Cuisson indirecte

Pour cuire à chaleur indirecte, les aliments doivent être placés sur le côté gauche ou droit de votre gril tandis que le brûleur du côté opposé est allumé.

Flambées

Les graisses et les jus qui coulent de la nourriture en train de griller peuvent causer des flambées. Dans la mesure où les flambées donnent un goût et une couleur agréables aux aliments cuits à flamme nue, elles peuvent être utilisées jusqu'à un certain point. Toutefois, des flambées non contrôlées peuvent ruiner un repas.

Aide-mémoire pour la cuisson

Avertissement : pour être certain qu'un aliment peut être consommé en toute sécurité, faites-le cuire jusqu'à ce qu'il atteigne au moins la température interne correspondante dans le tableau ci-dessous.

Aliment	Température
Bœuf, veau et agneau (morceaux et pièces entières) - mi-saignant	63 C (145 F)
Bœuf, veau et agneau (morceaux et pièces entières) - moyennement cuit	71 C (160 F)
Bœuf, veau et agneau (morceaux et pièces entières) - bien cuit	77 C (170 F)
Porc (morceaux et pièces entières)	71 C (160 F)
Volaille (par ex. poulet, dinde, canard) - pièces	74 C (165 F)
Volaille - entière	85 C (185 F)
Viandes hachées et mélanges de viande (par ex. burgers, saucisses, boulettes de viande, pain de viande, casseroles) – bœuf, veau, agneau et porc	71 C (160 F)
Viandes hachées et mélanges de viande - volaille	74 C (165 F)
Plats aux œufs	74 C (165 F)
Divers (hotdogs, farce et restants de repas)	74 C (165 F)

Origine : Agence canadienne d'inspection des aliments (ACIA)

Aliment	Poids ou épaisseur	Température	Durée	Consignes spéciales et conseils
Légumes	N/A	Moyenne	8 à 20 minutes	Couper les légumes en tranches ou en morceaux et les recouvrir de beurre ou de margarine. Les envelopper serrés dans une feuille métallique à haute résistance. Griller en retournant à l'occasion.
Pommes de terre	Entières	Moyenne	40 à 60 minutes	Envelopper individuellement dans une feuille métallique à haute résistance. Faire cuire en tournant de temps en temps.
Viande/Biftecks	1 à 2 cm	Moyenne élevée	4 à 15 minutes	Préchauffer le gril pendant 15 à 20 minutes, puis faire saisir les biftecks pendant deux minutes de chaque côté. Ensuite, faire griller 3 à 5 minutes de chaque côté ou jusqu'à la cuisson désirée.
Viandes hachées	1 à 2 cm	Moyenne	8 à 15 minutes	Faire griller en retournant une fois lorsque les jus remontent à la surface ou jusqu'à la cuisson désirée. Ne pas laisser les hamburgers sans surveillance, car une flambée peut se produire soudainement.
Côtes	1/2 carré ou carré plein	Moyenne	20 à 40 minutes	Griller en retournant de temps en temps. Pendant les dernières minutes de cuisson, balayer avec de la sauce barbecue et retourner plusieurs fois.
Hotdogs	N/A	Moyenne	5 à 10 minutes	Faire griller en retournant quatre fois. 2 à 4 minutes sur chacun des quatre côtés.
Volailles - morceaux	Environ 115 g à 225 g	Faible ou moyenne	20 à 40 minutes	Griller en retournant de temps en temps. Pendant les dernières minutes de cuisson, balayer avec de la sauce barbecue, le cas échéant et retourner plusieurs fois.
Volaille entière	900 g à 1,4 kg	Faible	1 à 1-1/2 heures	Utiliser un support à volaille et balayer souvent avec sauce à volonté.
		Moyenne	40 à 60 minutes	Utiliser un support à volaille et balayer souvent avec sauce à volonté.
Poisson	2 cm à 2,5 cm	Moyenne	8 à 15 minutes	Faire griller en retournant une fois jusqu'à la cuisson désirée. Balayer avec du beurre ou de la margarine fondus ou de l'huile.