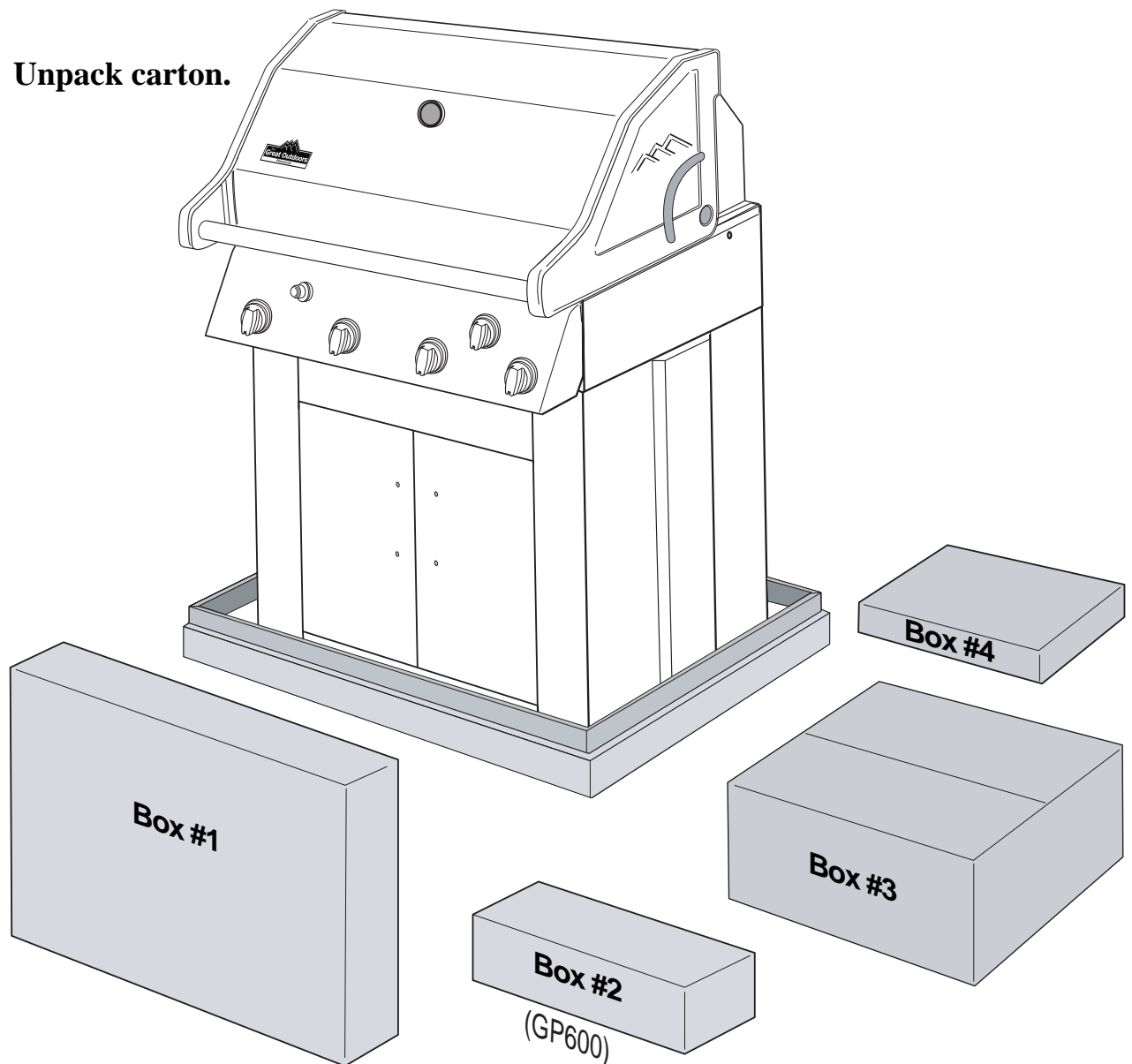




GP450/GP600 PINNACLE SERIES GRILLS ASSEMBLY PROCEDURES

Tools Required: Knife or scissors; 7/16 (11 mm) wrench; 11/16" (17 mm) flat or adjustable wrench; Phillips or #2 Robertson (square) screwdriver

Step 1: Unpack carton.



Cut the strapping on the package, then lift off the carton cap. Remove the sleeve by lifting it straight over the top of the Barbecue. Remove and unpack the enclosed parts boxes. Remove any protective covering from stainless steel parts.

Step 2: Install casters.

Required: (4) casters

Alternately prop up each end of the grill with a block of wood or other solid item. Position a caster stem into the plastic boss in each corner of the bottom panel, and push as far as possible by hand.

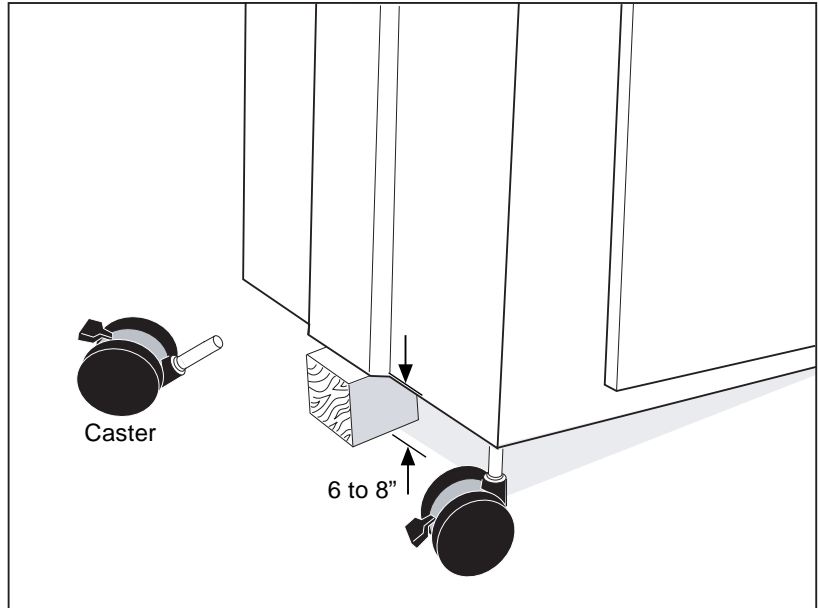


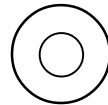
Fig. 2

Step 3: Attach shelf supports.

Required: (2) left shelf supports; (2) right shelf supports; (8) 1/4–20 x 5/8” hex bolts; (8) 1/4” washers



(8) 1/4–20 x 5/8” Hex bolt



(8) 1/4” Washer

Attach a left and a right shelf support to the right side of the grill base with (2) bolts and (2) washers each. Tighten with a 7/16” (11 mm) wrench.

Repeat for left side.

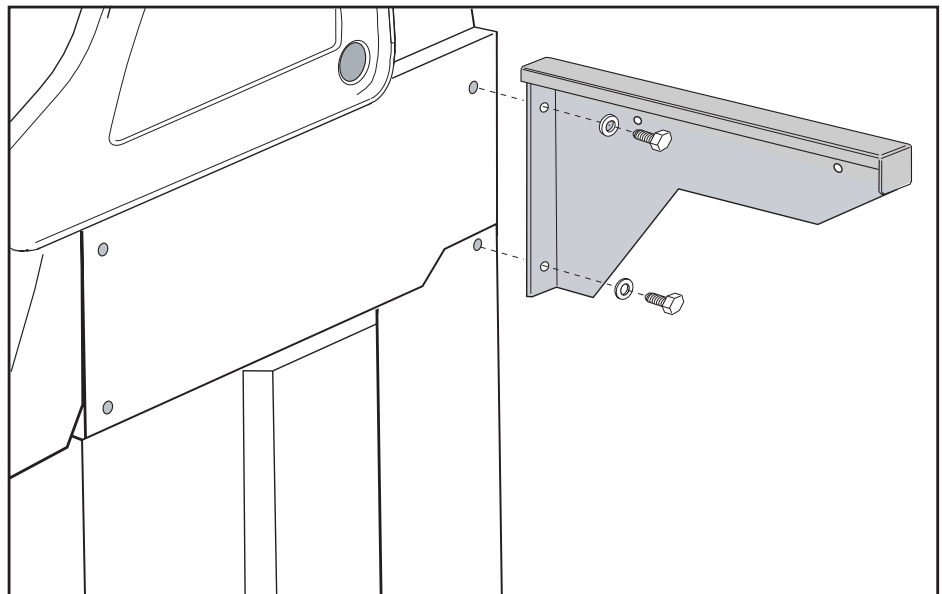
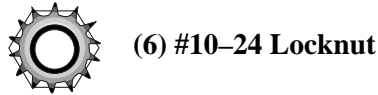
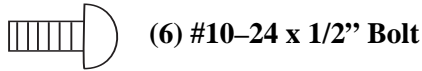


Fig. 3

Step 4: Attach front and side shelves.

Required: (2) side shelves; (1) left and (1) right front shelf; (2) shelf inserts
(6) #10–24 x 1/2" bolts; (6) #10–24 locknuts (see below)



Hook the left and right front shelves over the corresponding front shelf supports, push towards the grill base. Attach to the bottom of the control console with (1) bolt and (1) nut each (Fig. 4a).

Assemble the side shelves to the shelf supports by positioning them half way over the supports, then sliding them towards the base, while pushing down firmly on the front edge. The slots at the front edge of the shelf should align with the tabs at the back of the shelf supports (Fig. 4b).

NOTE: On models with Side Burners, assemble the shelf with the open center to the right-hand side of the grill. After completing this step, follow the instructions in the Side Burner Kit.

Tap the shelf lightly to fully engage the slot and tab if necessary (Fig 4c). Once aligned, fasten with a nut and bolt to the underside of the supports (Fig. 4b).

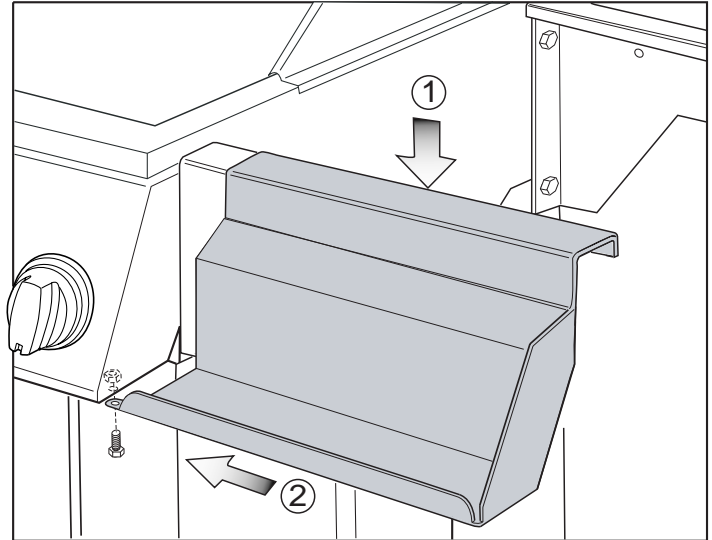


Fig. 4a

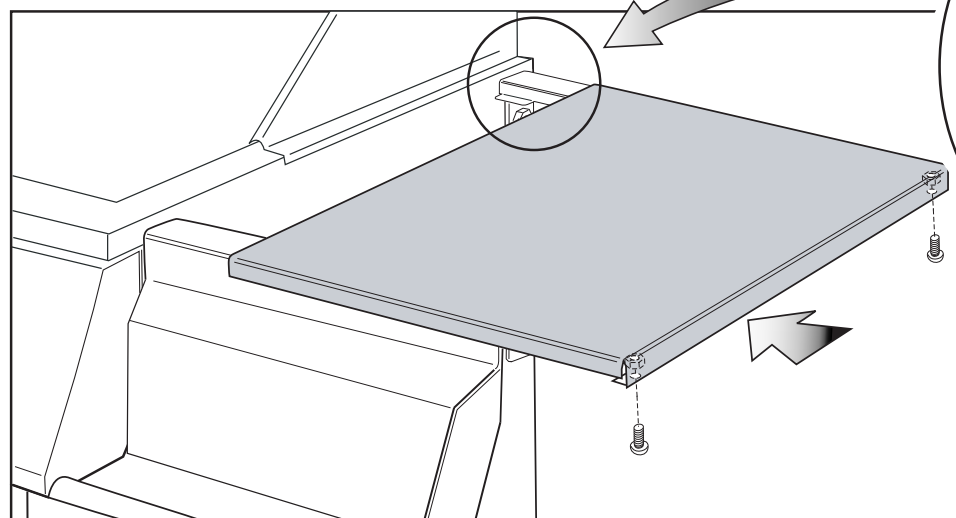


Fig. 4b

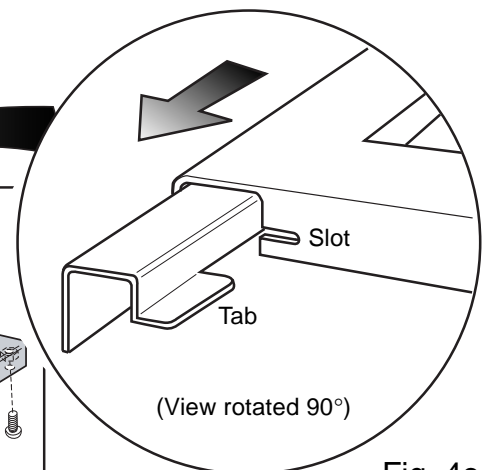


Fig. 4c

Step 5: Attach door handles.

Required: (2) door handles; (4) bolts;
(4) knobs

Attach (2) door handles to the front doors with (4) bolts provided.

Push the control knobs onto the valve stems, ensuring the flats on the stems are aligned to those in the knobs.

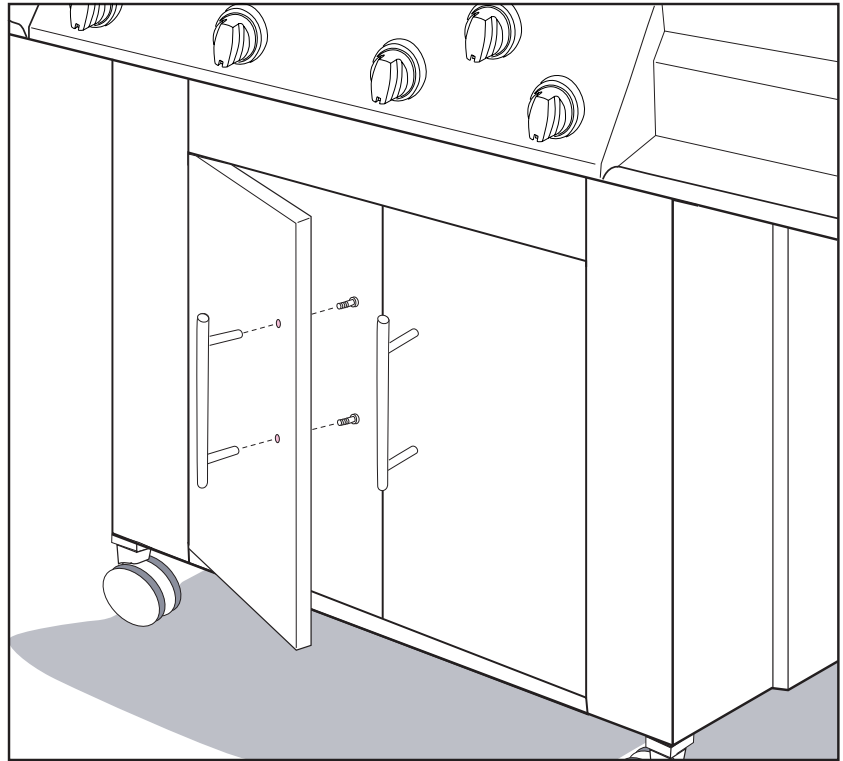


Fig. 5

Step 6: Remove packing tape; assemble grease cup.

Required: (1) grease cup

From inside the grill, remove shipping tape from the grease pan and base assembly (Fig. 6a), and from the warming rack. For model GP600, remove the tape from the front pullout drawer.

Install a grease cup into the hole in the upper base panel (Fig. 6b). Ensure the opening in the grease pan is positioned above the cup.

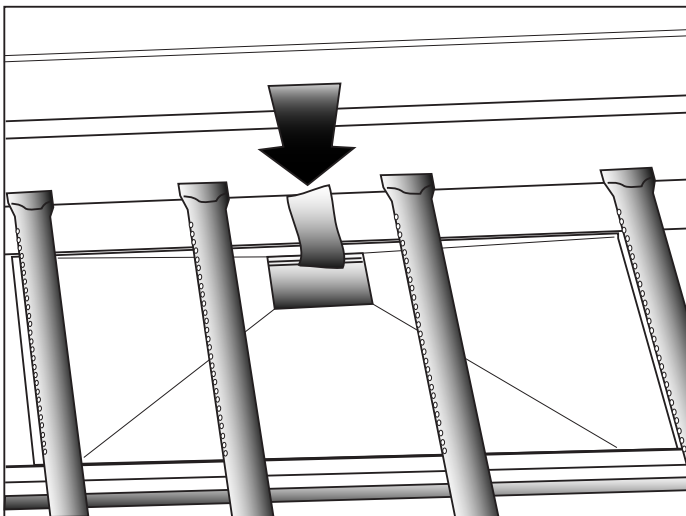


Fig. 6a

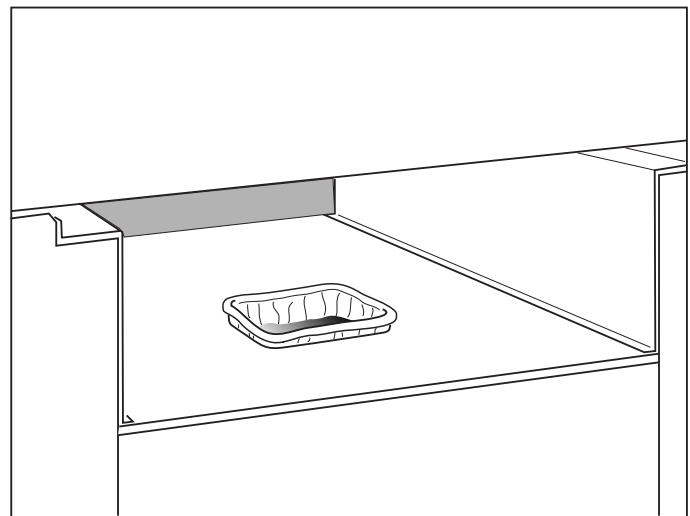


Fig. 6b

Step 7: Install internal components.

Required: (4) (5 for GP600) sear plates; (3) (4 for GP600) cooking grates; (1) warming rack

Place the sear plates into the base unit, ensuring the edge with the finger hole faces the grill front.

Position the cooking grates into the base with the finger holes facing the front.

NOTE: The cooking grates may be turned over to provide a flat surface for cooking delicate foods.

Set the warming rack into the two supports in the ends of the rear lid (Fig. 7).

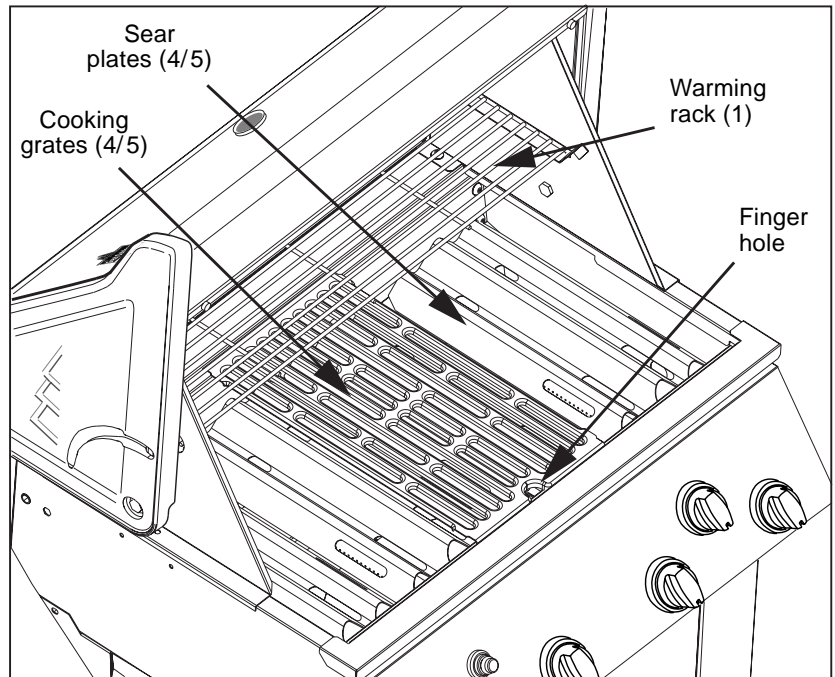


Fig. 7

Step 8: Install the LP cylinder (LP Models only).

Required: LP gas cylinder

NOTE: Refer to the User's Manual for the cylinder filling requirements, regulator attachment, and leak testing procedures, before lighting the grill.

Insert the propane (LP) cylinder into the hole provided in the bottom panel. Connect the cylinder to the regulator.

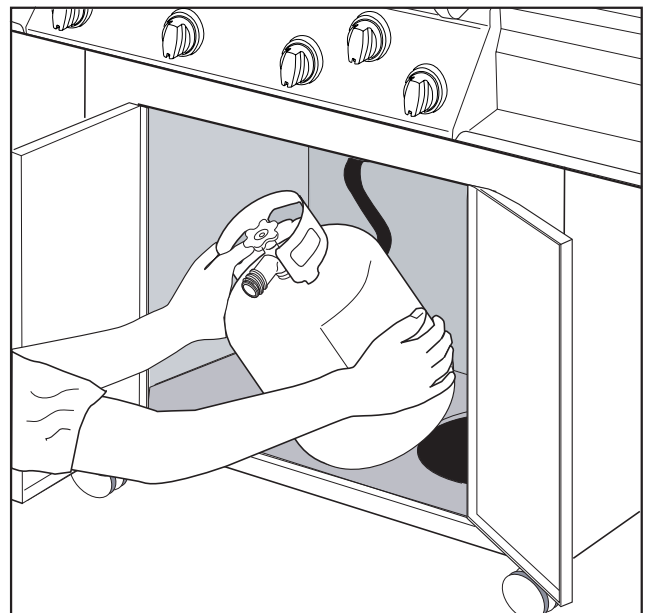
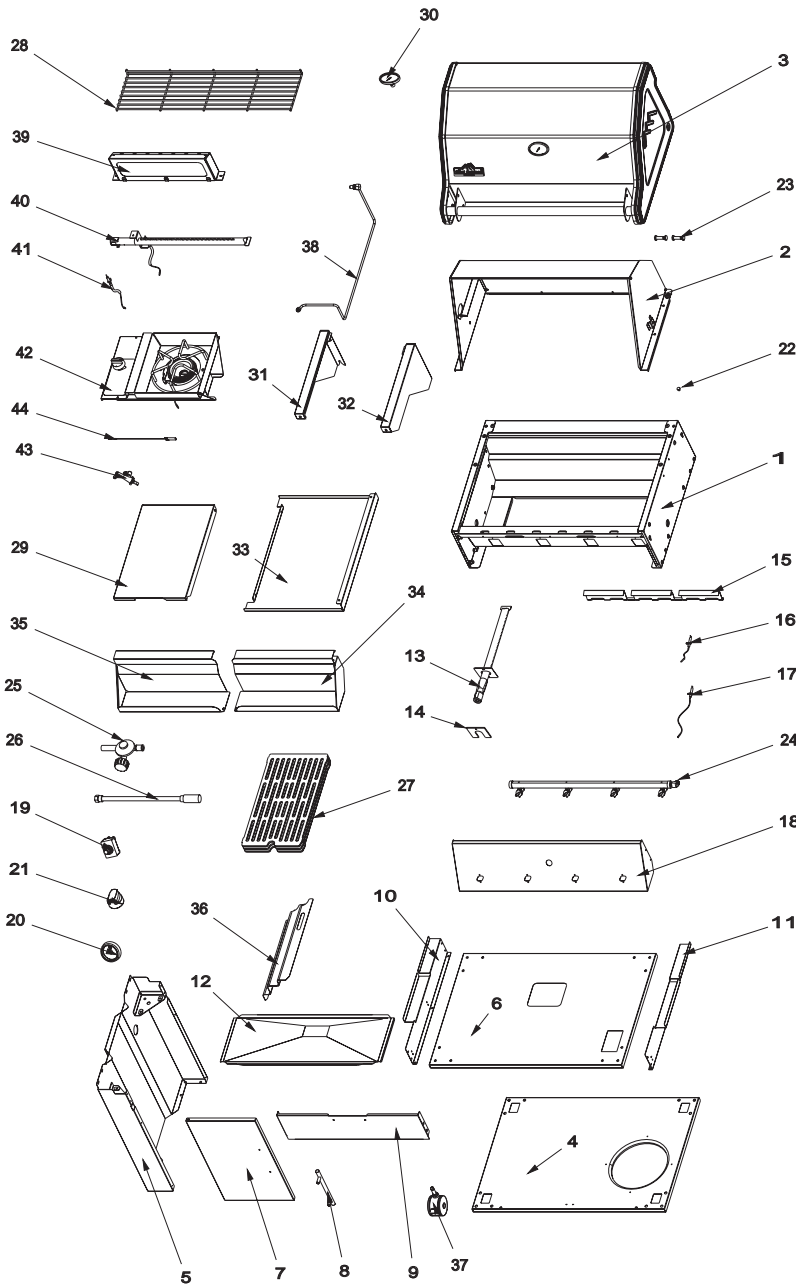


Fig. 8

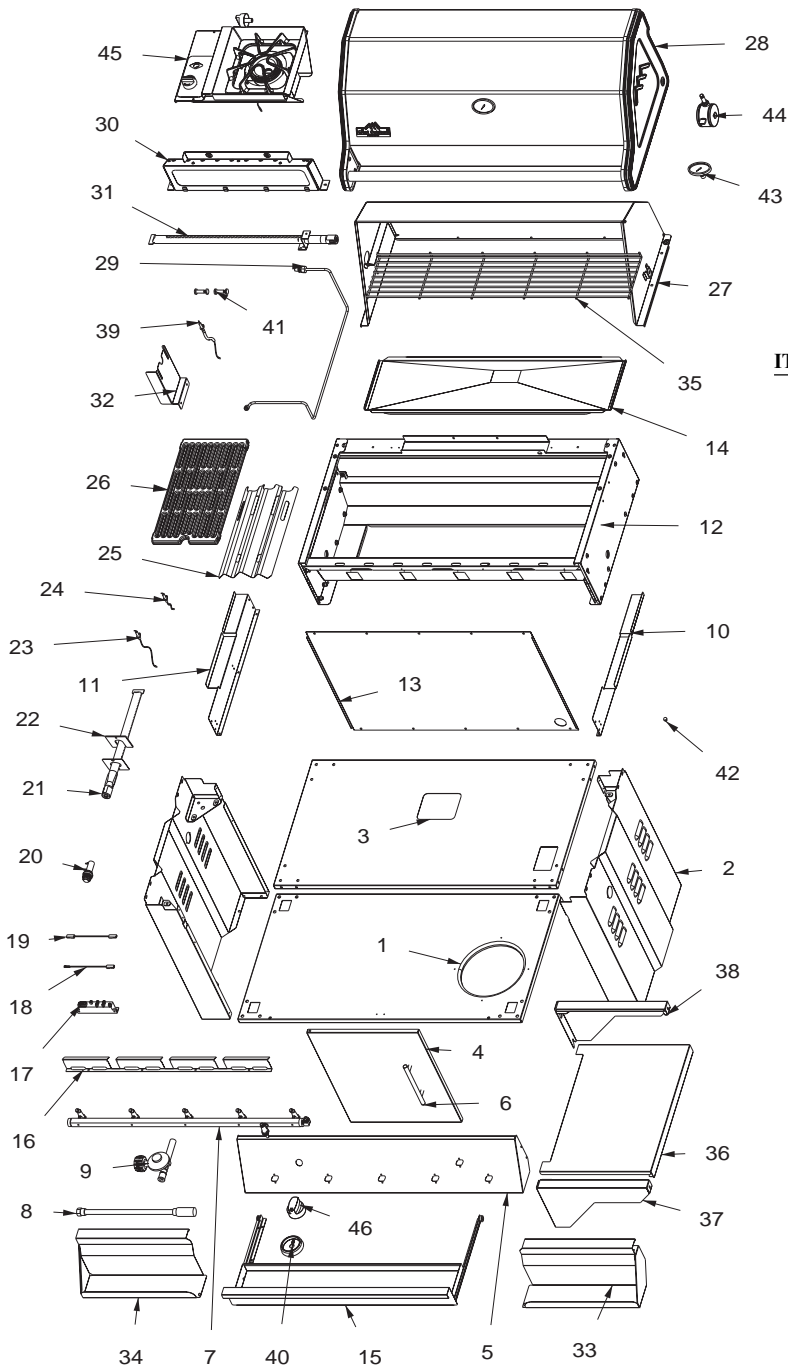
GP450 ASSEMBLY DRAWING & PARTS LIST



ITEM	QTY	PART #	DESCRIPTION
1a	1	50001167	Base Assembly – H4
1b	1	50001356	Base Assembly – Rotisserie
2	1	50000860	Lid Assembly, Rear – H4
3a	1	50001700	Lid Assembly, Front – GP4xx1– Charcoal
3b	1	50001601	Lid Assembly, S/S
4	1	50001339	Panel, Cabinet, Lower – H4
5	1	50001345	Cabinet, End Assembly – H4
6	1	50000788	Panel, Cabinet, Upper – H4
7	2	50001467	Door – H4 – S/S
8	2	50000313	Handle, Door – Deluxe
9	1	50000952	Plate, Front Cover – H4
10	1	50000798	Support, Drawer, Left
11	1	50000797	Support, Drawer, Right
12	1	50000822	Grease Pan Assembly – H4
13	4	50000835	Burner, Main Assembly – HBQ
14	4	50000892	Gasket, Burner – HBQ
15	1	50000879	Flash Tube – H4
16	2	50000431	Electrode, Main – Short
17	2/3	50000523	Electrode, Main – Long
18a	1	50001706	Console Assembly – GP425
18b	1	50001605	Console – Rotisserie
19a	1	50000816	Ignitor Kit – H4
19b	1	50000808	Ignitor Module – 6 Wire
20	4/5	50001327	Bezel
21	4/5	50001328	Knob – H Style
22	4	50000177	Lid Bumpers
23	3	50000355	Hardware, Lid Set
24a	1	50000801	Valve Assembly – H4 – Propane
24b	1	50000850	Valve Assembly – Natural
24c	1	50001402	Valve Assembly – Propane – Rotisserie
24d	1	50001423	Valve Assembly – Natural – Rotisserie
25	1	50000804	Regulator – H
26	1	50000198	12" Natural Gas Hose
27	1	50001226	Cook Grate (50001027, Set of 3)
28	1	50000802	Warming Rack, Enamel – H4
29	*	50000826	Shelf Insert – S/S – H
30	1	50001643	Gauge, Temperature
31	2	50001418	Support, Shelf, Left, Black – H/V/C
32	2	50001419	Support, Shelf, Right, Black – H/V/C
33a	*	50001413	Shelf Top, Solid – H – S/S
33b	*	50001412	Shelf Top, Open – S/S
33c	*	50001703	Shelf Top, Solid – Black
33d	*	50000824	Shelf Top, Open – Black
34	1	50000984	Shelf, Front, Right – HL
35	1	50000986	Shelf, Front, Left – HL
36a	4	50000877	Plate, Heat – Enamel
36b	4	50000777	Plate, Heat – S/S
37	4	50000090	Caster
38a	1	50001415	Tube/Orifice Assembly – H4 – Propane
38b	1	50001428	Tube/Orifice Assembly – H4 – Natural
39	1	50001416	Rotisserie Housing/Screen Assembly
40	1	50000558	Burner/Electrode Assembly – Rotisserie
41	1	50000466	Electrode – Rotisserie
42a	1	50001648	Side Burner, Electric, Black – W/G
42b	1	50001649	Side Burner, Rotary – Black – C/G
42c	1	50001660	Side Burner, Electric – Black – C/G
43a	1	50001046	Valve, Side Burner – H – Propane
43b	1	50001405	Valve, Side Burner – H – Natural
44	1	50001422	Wire Connector, Side Burner

* Varies by model

GP600 ASSEMBLY DRAWING & PARTS LIST



ITEM	QTY	PART #	DESCRIPTION
1	1	50001349	Panel, Cabinet, Lower – H6
2	2	50001347	Cabinet End, Assembly – H6
3	1	50000789	Panel, Cabinet, Upper – H6
4	2	50000911	Door Assembly – H6
5	1	50001707	Console Assembly – GP525
6	2	50000313	Handle Door – Deluxe
7a	1	50000803	Valve Assembly – H6 – Propane
7b	1	50000852	Valve Assembly – H6 – Natural
7c	1	50001098	Valve Assembly – Propane – Rotisserie
7d	1	50001086	Valve Assembly – Natural – Rotisserie
8	1	50000198	12" Natural Gas Hose
9	1	50000804	Regulator – H
10	1	50000797	Support, Drawer, Right
11	1	50000798	Support, Drawer, Left
12a	1	50001174	Base Assembly – H6 – Rotisserie
12b	1	50001177	Base Assembly
13	1	50000791	Panel, Cabinet, Rear – H6
14	1	50000823	Grease Pan Assembly – H6
15	1	50000898	Drawer Assembly – S/S – H6
16	1	50000880	Flash Tube – H6
17	1	50000808	Ignitor (6 Wire)
18	1	50001014	Wire Ignitor, Positive – 10"
19	1	50001015	Wire Ignitor, Negative – 10"
20	1	50001011	Ignitor Pushbutton BBQ
21	5	50000835	Burner, Main Assembly HBQ
22	5	50000892	Gasket, Burner HBQ
23	3	50000523	Electrode, Main – Long
24	2	50000431	Electrode, Main – Short
25	5	50000777	Plate, Heat – H – S/S
26	1	50001227	Cook Grate (50001027, Set of 4)
27	1	50000858	Lid Assembly, Rear – H6
28	1	50001701	Lid Assembly, Front – GP5xx3 – S/S
29a	1	50000819	Tube/Orifice Assembly – H6 – LP
29b	1	50000818	Tube/Orifice Assembly – H6 – Natural
30	1	50000961	Rotisserie Housing/Screen Assembly – H6
31	1	50000875	Burner Rotisserie Assembly – H6
32	1	50000885	Bracket, Motor, Rotisserie – H
33	1	50000984	Shelf, Front, Right – HL
34	1	50000986	Shelf, Front, Left – HL
35	1	50000889	Warming Rack, Enamel – H6
36a	*	50001413	Shelf Top, Solid – H – S/S
36b	*	50001412	Shelf Top, Open – H – S/S
37	2	50001418	Support, Shelf, Left, Black – H/VC
38	2	50001419	Support, Shelf, Right, Black – H/VC
39	1	50000981	Electrode, Rotisserie – H6
40	5/6	50001327	Bezel
41	1	50000355	Hardware, Lid Set
42	6	50000177	Lid Bumpers
43	1	50001643	Gauge, Temperature
44	4	50000090	Caster
45a	1	50001649	Side Burner, Rotary, Black – C/G
45b	1	50001648	Side Burner, Electric, Black – W/G
45c	1	50001660	Side Burner, Electric, Black – C/G
46	5/6	50001328	Knob – H Style

* Varies by model



CFM Harris Systems

3501 W. Howard Street
Skokie, IL 60076-4012 USA

Phone: (800) 944-8982 • Fax: (847) 676-3759